



Project _____
 Item # _____
 Quantity _____

KATTEX

Quick Slice

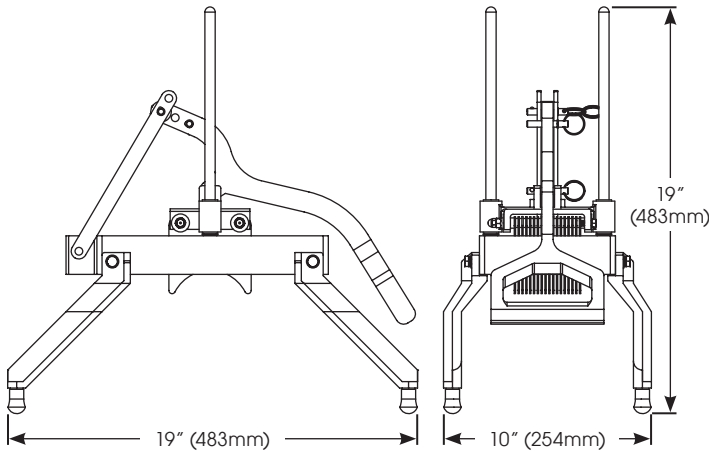
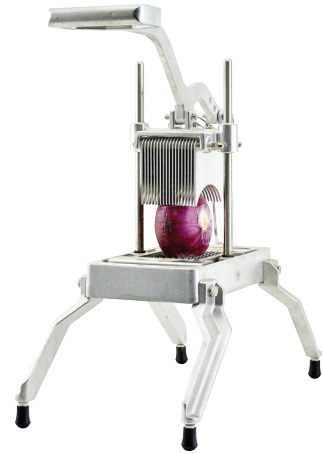
Onion, Fruit & Vegetable Slicers

Models: OS-188 | OS-250

Just one smooth stroke of the Kattex Onion Slicer will produce evenly sliced coins of fruits and vegetables, perfect on salads, in cocktails and more.

Standard Features

- ◆ Aluminum construction with stainless steel blades
- ◆ Unique lever-handle allows for quick and easy operation
- ◆ Sturdy base with non-skid feet
- ◆ Two blades included can be stacked to create a finer cut
- ◆ 4-1/2" x 3-3/4" cutting area
- ◆ NSF listed



OS-188B



OS-250B

Parts & Accessories

OS-188B	3/16" Blade Set Assembly for OS-series, 2-Pcs/Set
OS-250B	1/4" Blade Set Assembly for OS-series, 2-Pcs/Set
KAT-FT	4-Pc Replacement Feet Set
KAT-BS-OT	4-Pc Replacement Bushings

MODEL	DESCRIPTION	OVERALL DIMENSIONS			BOX DIMENSIONS			SHIP WEIGHT
		LENGTH	DEPTH	HEIGHT	LENGTH	DEPTH	HEIGHT	
OS-188	3/16" Blade Slicer	19"	10"	19"	15-3/8"	8-7/8"	13-13/16"	17.79 lbs (8.06 kg)
OS-250	1/4" Blade Slicer	(483mm)	(254mm)	(483mm)	(390mm)	(225mm)	(350mm)	

Product Specs

Quick Slice Onion Slicers

The Quick Slice Onion Slicers models OS-188 and OS-250 as manufactured by Winco®, Lodi, NJ 07644.

The Quick Slice Onion Slicers shall be constructed of aluminum with stainless steel blades. Units are equipped with a unique lever-handle allows for quick and easy operation and a sturdy base with non-skid feet. The 4-1/2" x 3-3/4" cutting area has two blades included which can be stacked to create a finer cut. Units are NSF listed.

For California Customers
WARNING: Cancer and Reproductive Harm - www.P65Warnings.ca.gov

Winco®, DWL International Trading, LLC

www.wincous.com | equipsales@wincous.com

New Jersey Headquarters:
 65 Industrial Road, Lodi, NJ 07644
 Tel. 1.888.946.2682 | Fax: 1.888.946.2632

California Distribution Center
 14950-14952 Valley View Avenue, La Mirada, CA 90638
 Tel. 1.888.946.2652 | Fax: 1.562.926.5678

Florida Distribution Center
 10800 NW 103rd St. Bldg 22, Ste 11, Miami, FL 33178
 Tel. 1.786.536.4656