



Project _____
 Item # _____
 Quantity _____

KATTEX

Quick Slice French Fry Cutters

Models: HFC-250 | HFC-375 | HFC-500

The Kattex Quick Slice French Fry Cutter improves food prep efficiency by quickly slicing potatoes. With the unit being constructed of durable cast iron body with stainless steel components, this french fry cutter will withstand years of high volume, heavy-duty use. To ensure stability, this quick slice french fry cutter can be fixed onto a counter or wall-mounted for easy access.

Standard Features

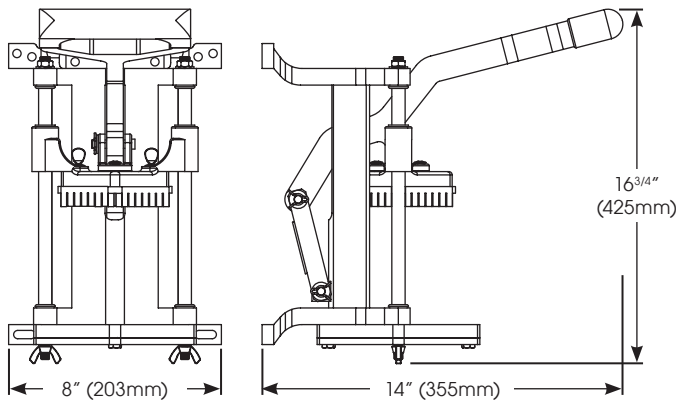
- ◆ Short throw handle design for smooth uniform cuts in one stroke
- ◆ Extremely durable castrd body with stainless steel components
- ◆ Affix to counter or wall mount; wall bracket sold separately
- ◆ Accessories to modify cut sizes and styles sold separately
- ◆ 3-3/8" x 3-3/8" cutting area
- ◆ NSF listed



HFC-SERIES



HFC-BK



Parts & Accessories

HFC-BK	Wall Bracket for HFC-Series
HFC-250B	1/4" Cut Blade Assembly Block
HFC-375B	3/8" Cut Blade Assembly Block
HFC-500B	1/2" Cut Blade Assembly Block
HFC-250K	Pusher Block for 1/4" & 1/2" Cut Blade
HFC-375K	Pusher Block for 3/8" Cut Blade
HFC-250R	1/4" Cut Replacement Blade
HFC-375R	3/8" Cut Replacement Blade
HFC-500R	1/2" Cut Replacement Blade

MODEL	DESCRIPTION	OVERALL DIMENSIONS			BOX DIMENSIONS			SHIP WEIGHT
		LENGTH	DEPTH	HEIGHT	LENGTH	DEPTH	HEIGHT	
HFC-250	1/4" Cut French Fry Cutter	8" (203mm)	14" (355mm)	16-3/4" (425mm)	17-3/8" (440mm)	10-7/16" (265mm)	13-5/8" (345mm)	12.68 lbs (5.75 kg)
HFC-375	3/8" Cut French Fry Cutter			13.6 lbs (6.17 kg)				
HFC-500	1/2" Cut French Fry Cutter			13.23 lbs (6 kg)				

Product Specs

Quick Slice French Fry Cutters

The Quick Slice French Fry Cutters models HFC-250, HFC-375, and HFC-500 as manufactured by Winco®, Lodi, NJ 07644.

The Quick Slice French Fry Cutters shall be constructed of extremely durable casted body with stainless steel components. Units shall feature a short throw handle design for smooth uniform cuts in one stroke, 3-3/8" x 3-3/8" cutting area, and have ability to be affixed to counter or wall mount (optional wall bracket sold separately). Accessories to modify cut sizes and styles sold separately. Units are NSF listed.

For California Customers
WARNING: Cancer and Reproductive Harm - www.P65Warnings.ca.gov

Winco®, DWL International Trading, LLC

www.wincous.com | equipsales@wincous.com

New Jersey Headquarters:
 65 Industrial Road, Lodi, NJ 07644
 Tel. 1.888.946.2682 | Fax: 1.888.946.2632

California Distribution Center
 14950-14952 Valley View Avenue, La Mirada, CA 90638
 Tel. 1.888.946.2652 | Fax: 1.562.926.5678

Florida Distribution Center
 10800 NW 103rd St. Bldg 22, Ste 11, Miami, FL 33178
 Tel. 1.786.536.4656