



Project \_\_\_\_\_  
 Item # \_\_\_\_\_  
 Quantity \_\_\_\_\_

**SPECTRUM**  
**Commercial Electric**  
**Countertop Immersion Circulator**

**Model: ESVI-1**

Get sous vide cooking with the SPECTRUM IMMERSION CIRCULAR. With precise temperature control and by reducing heat fluctuations, food retains moisture, nutrition, and flavor for perfect results every time.

The adjustable container clamp fits over smooth and rimmed containers (*container sold separately*).

**Standard Features**

- ◆ Stainless steel and plastic construction
- ◆ Easy to use solid state digital control panel
- ◆ Precise temperature accuracy: +1°F (0.5°C)
- ◆ Maximum volume capacity: 7.9 gallons (30L)
- ◆ Temperature range: 41°F to 210°F (5°-99° C)
- ◆ Timer setting range: 5 minutes – 99 hours
- ◆ LED display: Optional °F / °C, with last temperature and time memory when turned on
- ◆ One year parts and labor warranty

**Accessories**

ESV-BH	Stainless Steel 3-Ring Bag Holder Stand
ESV-IB	Sous Vide Insulation Balls
EVPM-12	Chamber Vacuum Packaging Machine
PFSH-9	Heavyweight Clear Polycarbonate Half-size Container, 9" deep, 5 Gallon
NSP-10W	10" High Heat Nylon Mixing Paddle (400°F & BPA Free)
NS-12	12" High Heat Nylon Spoon (400°F & BPA Free)



ESV-BH



ESV-IB

**Winco®, DWL International Trading, LLC**

**New Jersey Headquarters:**  
 65 Industrial Road, Lodi, NJ 07644  
 Tel. 1.888.946.2682 | Fax: 1.888.946.2632

**California Distribution Center**  
 14950-14952 Valley View Avenue, La Mirada, CA 90638  
 Tel. 1.888.946.2652 | Fax: 1.562.926.5678

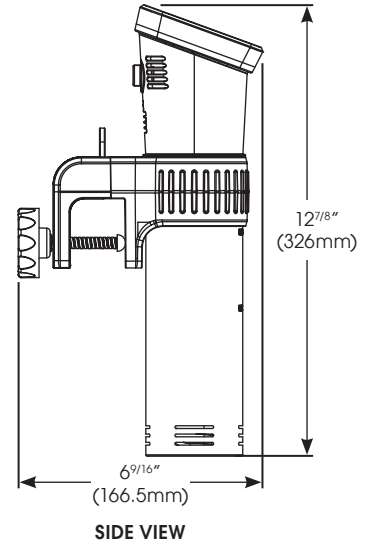
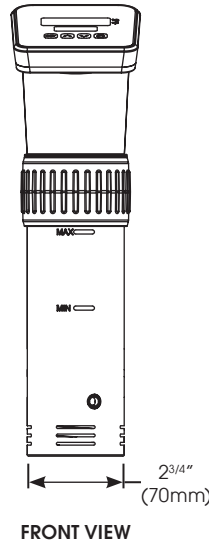
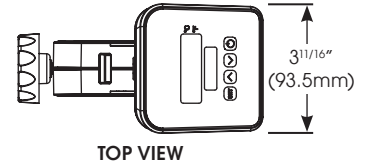
**Florida Distribution Center**  
 10800 NW 103rd St. Bldg 22, Ste 11, Miami, FL 33178  
 Tel. 1.786.536.4656

www.wincous.com | equipmentsales@wincous.com



# Commercial Electric Countertop Immersion Circulator

Model: ESVI-1



## Specifications

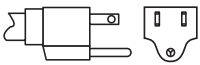
MODEL	DESCRIPTION	OVERALL DIMENSIONS			VOLTS	HZ	WATTS	AMPS	PLUG	SHIP WEIGHT
		LENGTH	DEPTH	HEIGHT						
ESVI-1	Immersion Circulator	3-11/16" (93.5mm)	6-9/16" (166.5mm)	12-7/8" (326mm)	110-120	60	900	7.5	NEMA 5-15P	4.41 lbs (2 kgs)

## Cord Location

Back of unit

## Plug Configuration

NEMA 5-15P



## Product Specs

### Spectrum Commercial Electric Immersion Circulator

The Commercial Electric Immersion Circulator model ESVI-1, as manufactured by Winco®, Lodi, NJ 07644.

The ESVI-1 Commercial Electric Immersion Circulator shall be rated at 900 Watts, 110-120V-60Hz, with a maximum volume capacity of 7.9 gallons (30L). The immersion circulator shall be equipped with LED display with optional °F / °C, last temperature and time memory, precise temperature accuracy of +1°F (0.5°C), temperature range of 41°F to 210°F (5°C to 99°C), timer setting range of 5 minutes to 99 hours.

The optional stainless steel 3-Ring Bag Holder Stand (ESV-BH, sold separately) conveniently holds various sizes of vacuum-packing bags open for easy filling.

The optional Insulation Balls (ESV-IB, sold separately) add insulation to any open cooking bath effectively reducing heat loss and evaporation.

ETL listed for safety (Canada & US) and sanitation.

Warranty consists of one year parts and labor.

## Winco®, DWL International Trading, LLC

**New Jersey Headquarters:**  
65 Industrial Road, Lodi, NJ 07644  
Tel. 1.888.946.2682 | Fax: 1.888.946.2632

**California Distribution Center**  
14950-14952 Valley View Avenue, La Mirada, CA 90638  
Tel. 1.888.946.2652 | Fax: 1.562.926.5678

**Florida Distribution Center**  
10800 NW 103rd St. Bldg 22, Ste 11, Miami, FL 33178  
Tel. 1.786.536.4656

[www.wincous.com](http://www.wincous.com) | [equipsales@wincous.com](mailto:equipsales@wincous.com)