



SPECTRUM ROLLSRIGHT™ Countertop Commercial Hot Dog Roller Grills

Models: EHGD-5R | EHGD-7R | EHGD-11R

A great addition to any quick service establishment. Dual temperature controls allow for both cooking and holding areas to operate independently, reducing waste and spoilage due to excessive overheating. The RollsRight™ non-stick roller surfaces stand up to continual use and are easy to clean. This versatile machine is also great for egg rolls, taquitos, sausages, and more!

Standard Features

- ◆ Easy-to-clean non-stick 360 degree rotating rollers with sealed ends to protect internal parts
- ◆ Heavy-duty sealed motor
- ◆ Bike chain and sprocket drive assembly
- ◆ Two independent thermostatic heat controls (front & rear)
- ◆ Individual heating element in each roller for end to end temperature consistency
- ◆ Heavy duty stainless steel body and drip pan
- ◆ Re-settable fuse for safety
- ◆ Non-skid rubber feet.
- ◆ EHDG-5R: 110V~60Hz, 700W, 6.3A
- ◆ Cooking surface holds up to 12 hot dogs
- ◆ EHDG-7R: 110V~60Hz, 900W, 8.1A
- ◆ Cooking surface holds up to 18 hot dogs
- ◆ EHDG-11R: 110V~60Hz, 1400W, 12.7A
- ◆ Cooking surface holds up to 30 hot dogs
- ◆ One year parts and labor warranty

Parts

EHDG-P1	Rubber Foot
EHDG-P2	Heating Element
EHDG-P3	Gear -16 teeth
EHDG-P4	Roller - Non-Stick with Teflon™ Coating
EHDG-P5	Motor
EHDG-P6	Wear-Proof O-Ring Seal
EHDG-P7	Grease Seal
EHDG-P8	Heat Indicator Light
EHDG-P9	Thermostat
EHDG-P10	Knob
EHDG-P11	Power Switch
EHDG-P12	Strain Relief Connector
EHDG-P21	Chain for EHDG-5R
EHDG-P22	Chain for EHDG-7R
EHDG-P25	Chain for EHDG-11R, #1
EHDG-P26	Chain for EHDG-11R, #2
EHDG-P27	Drip Tray for EHDG-5R
EHDG-P28	Drip Tray for EHDG-7R
EHDG-P30	Drip Tray for EHDG-11R

Winco®, DWL International Trading, LLC

New Jersey Headquarters:
65 Industrial Road, Lodi, NJ 07644
Tel. 1.888.946.2682 | Fax: 1.888.946.2632

California Distribution Center
14950-14952 Valley View Avenue, La Mirada, CA 90638
Tel. 1.888.946.2652 | Fax: 1.562.926.5678

Florida Distribution Center
10800 NW 103rd St. Bldg 22, Ste 11, Miami, FL 33178
Tel. 1.786.536.4656

Project _____

Item # _____

Quantity _____



EHDG-5SG | EHDG-7SG | EHDG-11SG

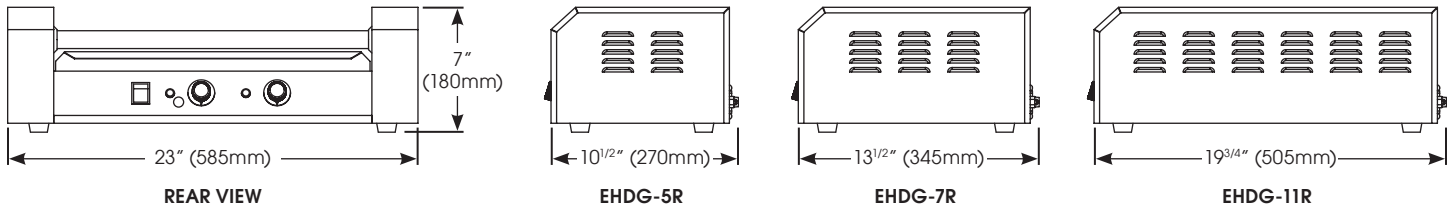
Accessories

EHDG-5SG	Sneeze Guard Kit for EHDG-5R
EHDG-7SG	Sneeze Guard Kit for EHDG-7R
EHDG-11SG	Sneeze Guard Kit for EHDG-11R



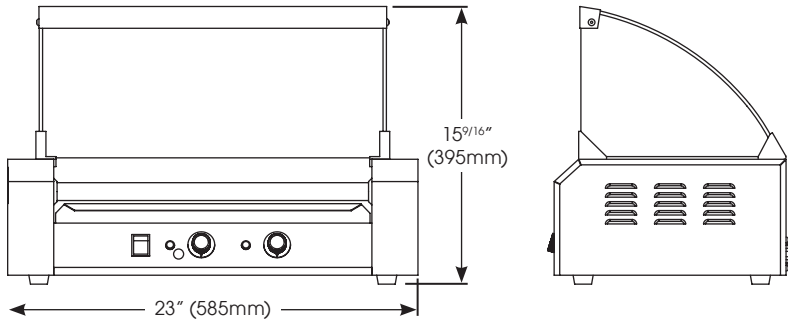
Commercial Hot Dog Roller Grills

Models: EHDG-5R | EHDG-7R | EHDG-11R



MODEL	DESCRIPTION	OVERALL DIMENSIONS			VOLTS	HZ	WATTS	AMPS	PLUG	SHIP WEIGHT
		LENGTH	DEPTH	HEIGHT						
EHDG-5R	5 Roller	23" (585mm)	10-1/2" (270mm)	7" (180mm)	110	60	700	6.3	NEMA 5-15P	17.2 lbs (7.8 kgs)
EHDG-7R	7 Roller	23" (585mm)	13-1/2" (345mm)	7" (180mm)			900	8.1		20.9 lbs (9.5 kgs)
EHDG-11R	11 Roller	23" (585mm)	19-3/4" (505mm)	7" (180mm)			1400	12.7		29.7 lbs (13.5 kgs)

Sneeze Guards

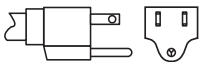


Cord Location

Front of unit

Plug Configuration

NEMA 5-15P



Product Specs Commercial Hot Dog Roller Grills

The Commercial Hot Dog Roller Grills, manufactured by Winco®, Lodi, NJ 07644

The EHDG-Series (5R/7R/11R) shall be rated at 110v/60/1. Units shall be equipped with easy-to-clean non-stick rollers with sealed ends to protect internal parts, heavy-duty sealed motor, 360 degree rollers with bike chain and sprocket drive assembly, two independent thermostatic heat controls (front & rear), individual heating element in each roller for end to end temperature consistency, heavy duty stainless steel body and drip pan, re-settable fuse, and non-skid rubber feet.

The optional sneeze gaurds (sold separately) are made of curved tempered glass to protect food from contamination.

Warranty consists of one year parts and labor.

Winco®, DWL International Trading, LLC

New Jersey Headquarters:
65 Industrial Road, Lodi, NJ 07644
Tel. 1.888.946.2682 | Fax: 1.888.946.2632

California Distribution Center
14950-14952 Valley View Avenue, La Mirada, CA 90638
Tel. 1.888.946.2652 | Fax: 1.562.926.5678

Florida Distribution Center
10800 NW 103rd St. Bldg 22, Ste 11, Miami, FL 33178
Tel. 1.786.536.4656

www.wincous.com | equipsales@wincous.com