



WPG300

Double Italian-Style Panini Supremo® Grill



Double Italian-Style Panini Supremo® Grill



MAIN FEATURES

- Ribbed, cast-iron plates are great for grilled panini sandwiches, hamburgers, chicken, vegetables and more
- 17" x 9.25" cooking surface heats up quickly and distributes heat evenly
- Brushed stainless steel body construction and removable drip tray
- Hinged, auto-balancing top plate to handle foods up to 3" thick
- Thermostat is adjustable to 570°F for slow-to-quick cooking times
- Adjustable back feet for easy grease drainage
- Dual power ON and READY indicator lights
- Heat-resistant handles; no need for mitts or potholders
- Limited One Year Warranty

ELECTRICAL

Voltage: 240

Frequency: 60Hz

Watts: 3200

Amps: 13.3

Plug Type: NEMA 6-20P

Cord Length: 5 feet



SALES FEATURES

Make perfectly grilled panini sandwiches and more with the 240V Waring® WPG300 Double Italian-Style Panini Supremo® Grill. Grooved, cast-iron plates heat evenly and quickly cook sandwiches, burgers, chicken, and vegetables up to 3" thick. Its brushed stainless steel body and removable drip tray are easy to clean. Includes dual POWER and READY indicator lights.



@waringcommercial

©2020 Waring Commercial
314 Ella T. Grasso Avenue, Torrington, CT 06790
Tel. 800-492-7464 • Fax 860-496-9008

waringcommercialproducts.com

WPG300



Double Italian-Style Panini Supremo® Grill WPG300

INCLUDED ACCESSORIES



CAC105 Cleaning Brush

OPTIONAL ACCESSORIES



CAC144 Silicone Spatula
for use with
Nonstick PTFE Sheets



029824 Allen Wrench



035551 Allen Wrench Holder

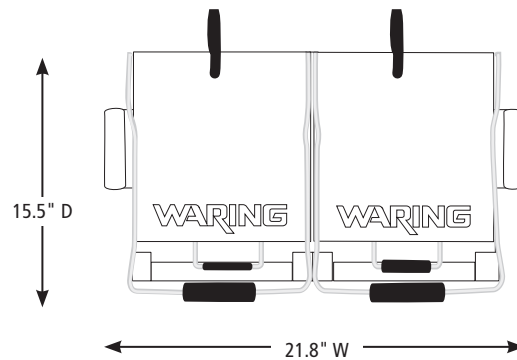
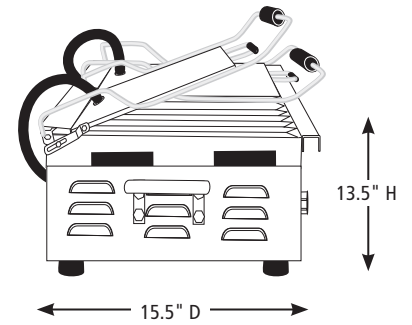
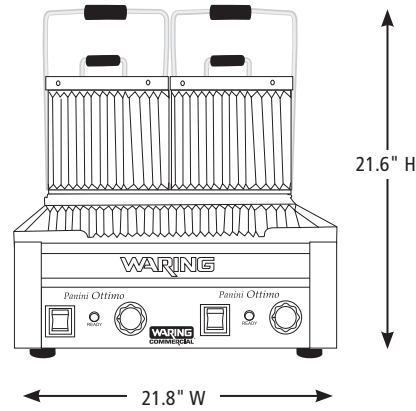


CAC172 Conversion Kit
with Clips and
3-Pack PTFE Sheets
(6 upper and
3 lower sheets)



CAC179 3-pack of
Custom PTFE Sheets
(6 upper and
3 lower sheets)

DIMENSIONS



Out of Box Weight: 75 lb.

ORDERING INFORMATION	#STD. PKG.	GIFTBOX WEIGHT	CUBIC FEET	BOX DIMENSIONS D X W X H	UPC	CASE PKG.	MC WEIGHT	MC DIMENSIONS D X W X H	MBC
WPG300 – Double Italian-Style Panini Supremo® Grill	1	75.8	3.63	23.375" x 19.375" x 13.875"	040072006111	1	78.65	24" x 20.375" x 14.375"	10040072006118



@waringcommercial

©2020 Waring Commercial
314 Ella T. Grasso Avenue, Torrington, CT 06790
Tel. 800-492-7464 • Fax 860-496-9008

waringcommercialproducts.com

20WC071646 / REV 06/20