



WFG150

Compact Italian-Style Flat Grill



Compact Italian-Style Flat Grill



MAIN FEATURES

- Flat cast-iron plates are perfect for pressing or grilling panini sandwiches, hamburgers, chicken, vegetables and more
- 9.75" x 9.25" cooking surface
- Brushed stainless steel body construction and removable drip tray
- Hinged, auto-balancing top plate to accommodate foods up to 3" thick
- Thermostat is adjustable to 570°F
- Power ON and READY indicator lights
- Heat-resistant handles; no need for mitts or potholders
- Limited One Year Warranty

ELECTRICAL

Voltage: 120

Frequency: 60Hz

Watts: 1800

Amps: 15

Plug Type: NEMA 5-15P 

Cord Length: 5 feet



SALES FEATURES

Make all of your signature sandwiches and more with the 120V Waring® WFG150 Compact Italian-Style Flat Grill. Flat cast-iron plates heat evenly and quickly to cook sandwiches, burgers, chicken, and vegetables up to 3" thick. The brushed stainless steel body and removable drip tray are easy to clean. Includes adjustable thermostat to 570°F, plus POWER and READY indicator lights.



@waringcommercial

©2020 Waring Commercial
314 Ella T. Grasso Avenue, Torrington, CT 06790
Tel. 800-492-7464 • Fax 860-496-9008

waringcommercialproducts.com

WFG150



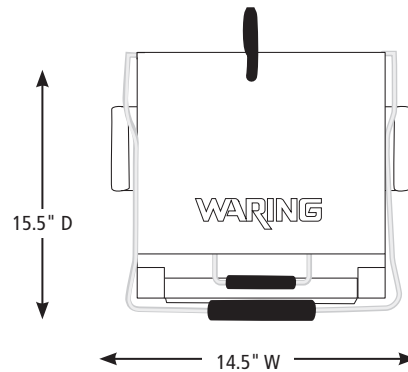
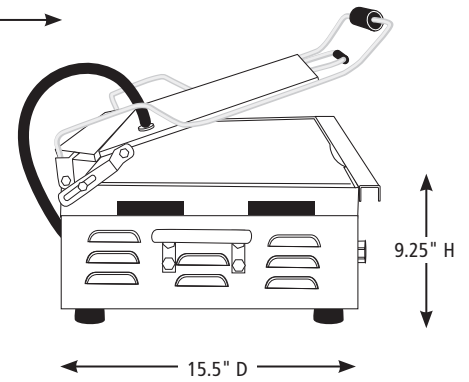
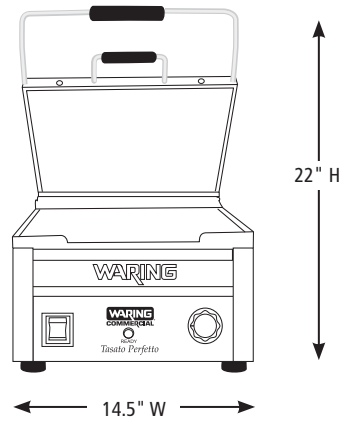
Compact Italian-Style Flat Grill WFG150

PARTS & ACCESSORIES



CAC105 Cleaning Brush

DIMENSIONS



Out of Box Weight: 51 lb.

ORDERING INFORMATION	#STD. PKG.	GIFTBOX WEIGHT	CUBIC FEET	BOX DIMENSIONS D X W X H	UPC	CASE PKG.	MC WEIGHT	MC DIMENSIONS D X W X H	MBC
WFG150 – Compact Italian-Style Flat Grill	1	51.1	1.34	19" x 15.5" x 13.75"	040072006166	1	53	20" x 16.25" x 14.5"	10040072006163



@waringcommercial

©2020 Waring Commercial
314 Ella T. Grasso Avenue, Torrington, CT 06790
Tel. 800-492-7464 • Fax 860-496-9008

waringcommercialproducts.com

20WC071641 / REV 04/20