



Outperform every day.™

Project:
Item Number:
Quantity:

Cayenne® Medium-Duty Charbroilers

The Vollrath Company, L.L.C.

CAYENNE® MEDIUM-DUTY CHARBROILERS



40728

407302





DESCRIPTION

Vollrath's Cayenne® Medium-Duty Charbroilers are built solid. Versatile grill plates feature narrower grill surfaces on one side, with integral channels specially designed to dispense excess fat, reducing smoke and flames. The flip side features flatter, wider grill surfaces, ideal for fish and other more delicate items. Angled adaptor bars enable the grill plates to be angled away from heat for slower cooking. This directs grease away to minimize flare-ups.

WARRANTY

All models shown come with Vollrath's standard warranty against defects in materials and workmanship. For full warranty details, please refer to www.Vollrath.com.

AGENCY LISTINGS

| Item No | Listing |
|--|---|
| 40728 |   |
| 407292 407302 407312 407372 407382 |   |

ITEMS

| Item No. | Model No. | Description |
|----------|-----------|-----------------|
| 40728 | CBL9012 | 12" Charbroiler |
| 407292 | CBL90162 | 18" Charbroiler |
| 407302 | CBL90242 | 24" Charbroiler |
| 407312 | CBL90362 | 36" Charbroiler |
| 407372 | CBL90482 | 48" Charbroiler |
| 407382 | CBL90602 | 60" Charbroiler |

FEATURES

- Ships complete with kits for both radiant and lava rock set up
- Shipped set up for natural gas — includes kit with regulator for field conversion to propane
- Stainless and aluminized steel, fully-welded construction to eliminate grease and dirt traps
- Superior stainless steel burner design allows for better heat distribution and faster recovery
- Burners placed every 6" for optimum heat distribution and control. 12" unit has one burner.
- Heavy-duty gas valves ensure long life
- Heavy-duty adjustable legs
- Cool-to-touch bull-nose design protects from burns
- All metal knobs protect gas valves from damage, won't break or crack and are **GUARANTEED FOR LIFE**
- ¾" NPT gas inlet

CLEARANCE AND POSITIONING REQUIREMENTS

This appliance must be installed adjacent to non-combustible surfaces only, with a minimum of 6" (15.2 cm) from all sides. This appliance must be a minimum distance of 6" (15.2 cm) from another appliance. The appliance must have the supplied 4" (10.2 cm) legs installed and be placed on a non-combustible surface.

Due to continued product improvement, please consult www.vollrath.com for current product specifications.

| Approvals | Date |
|-----------|------|
| | |



Outperform every day.™

www.vollrath.com

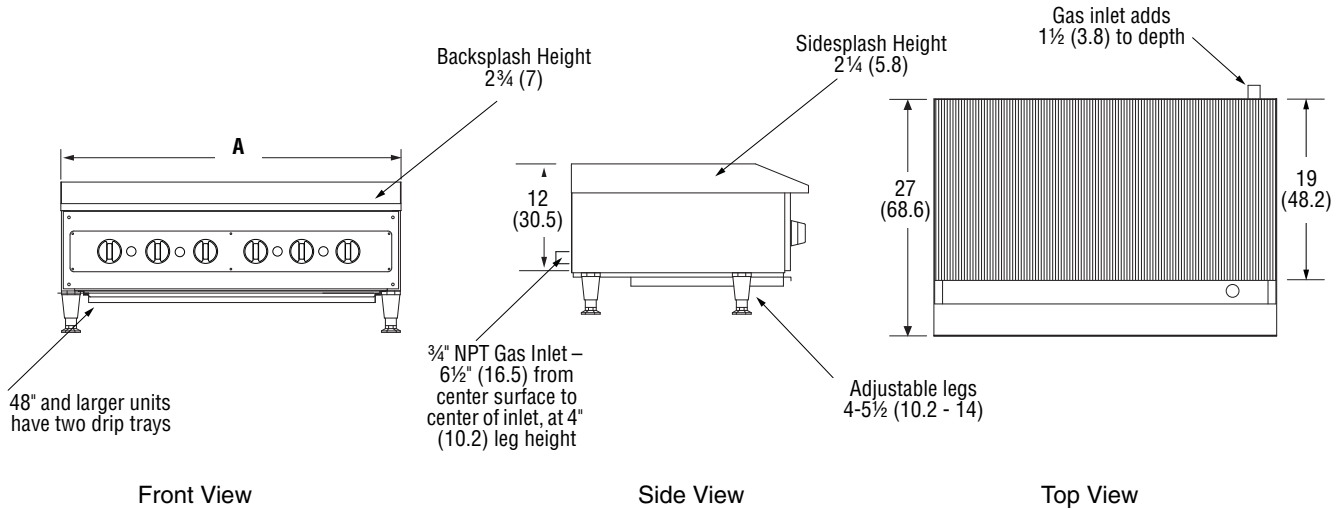
The Vollrath Company, L.L.C.

1236 North 18th Street
Sheboygan, WI 53081-3201 U.S.A.
Main Tel: 800.624.2051 or 920.457.4851
Main Fax: 800.752.5620 or 920.459.6573
Customer Service: 800.628.0830
Canada Customer Service: 800.695.8560

Technical Services
techservicereps@vollrathco.com
Induction Products: 800.825.6036
Countertop Warming Products: 800.354.1970
All Other Products: 800.628.0832

CAYENNE® MEDIUM-DUTY CHARBROILERS

DIMENSIONS (Shown in inches (cm))



SPECIFICATIONS

| Item No. | (A) Width | Number of Burners | Cooking Surface Dimensions (W x D) | Output (BTU) | Number of Drip Trays |
|----------|---------------|-------------------|------------------------------------|--------------|----------------------|
| 40728 | 12 (30.5) | 1 | 11 11/16 x 19 (29.7 x 48.3) | 28,000 | 1 |
| 407292 | 18 (45.7) | 3 | 17 11/16 x 19 (45 x 48.3) | 60,000 | |
| 407302 | 24 (61.0) | 4 | 23 11/16 x 19 (60.2 x 48.3) | 80,000 | |
| 407312 | 36 (91.4) | 6 | 35 11/16 x 19 (90.7 x 48.3) | 120,000 | |
| 407372 | 48 (121.9) | 8 | 47 11/16 x 19 (121.2 x 48.3) | 160,000 | 2 |
| 407382 | 60 (152.4) | 10 | 59 11/16 x 19 (151.6 x 48.3) | 200,000 | |



Outperform every day.™

www.vollrath.com

The Vollrath Company, L.L.C.

1236 North 18th Street
 Sheboygan, WI 53081-3201 U.S.A.
 Main Tel: 800.624.2051 or 920.457.4851
 Main Fax: 800.752.5620 or 920.459.6573
 Customer Service: 800.628.0830
 Canada Customer Service: 800.695.8560

Technical Services
techservicereps@vollrathco.com
 Induction Products: 800.825.6036
 Countertop Warming Products: 800.354.1970
 All Other Products: 800.628.0832