



Outperform every day.™

**Project:**

**Item Number:**

**Quantity:**

Breath Guards for Signature Server® with Stainless Steel Tops Only

The Vollrath Company, L.L.C.

**BREATH GUARDS FOR SIGNATURE SERVER® WITH STAINLESS STEEL TOPS ONLY**



*Classic Cafeteria Single Deck*



*Classic Economy*

*Classic Cafeteria Double Deck*



*Access®*

**DESCRIPTION**

Four breath guard styles designed to fit Signature Server® bases with stainless steel top provide the versatility to meet almost any serving need. Accessories include lights and heat strips.

**FEATURES**

- Stainless steel construction
- 1 tubular stainless steel uprights and end caps
- ¼" (6.4 mm) acrylic breath guard panels
- Double-shelf Classic Cafeteria has adjustable front breath guard panels with middle acrylic shelf
- Classic Economy has a stainless steel reinforcing center bracket
- The adjustable Access® breath guard height can be adjusted without tools

Step 1 Select Base Item		
Length	Standard Item No.	NSF Item No.
<b>Classic Cafeteria Single Deck*</b>		
28" (71)	37310	N37310
46" (117)	37311	N37311
60" (152)	37312	N37312
74" (188)	37313	N37313
88" (224)	9861006	N9861006
<b>Classic Cafeteria Double Deck *</b>		
28" (71)	37320	N37320
46" (117)	37321	N37321
60" (152)	37322	N37322
74" (188)	37323	N37323
88" (224)	9861707	N9861707
<b>Classic Economy</b>		
28" (71)	36300	N36300
46" (117)	36301	N36301
60" (152)	36302	N36302
74" (188)	36303	N36303
88" (224)	98607	N98607
<b>Access® Buffet – Adjustable</b>		
28" (71)	36339	N36339
46" (117)	36343	N36343
60" (152)	36363	N36363
74" (188)	36373	N36373
88" (224)	N/A	
<b>Access® Buffet – Non-Adjustable</b>		
28" (71)	36337	N36337
46" (117)	36341	N36341
60" (152)	36361	N36361
74" (188)	36371	N36371
88" (224)	9860206	N9860206
<b>Entree Cart</b>		
28" (71)	36380	N/A

Optional Step 2 Select Accessories	
Length	Item No.
<b>Fluorescent Lights</b>	
46" (117)	36421
60" (152)	36422
74" (188)	36423
88" (224)	98622
<b>Incandescent/Infrared Lights</b>	
Entree unit	36440
46" (117)	36431
60" (152)	36432
74" (188)	36433
88" (224)	98625
<b>Cayenne® Heat Strips</b>	
46" (117)	36401
60" (152)	36402
74" (188)	36403
88" (224)	98623
<b>Cayenne® Heat Strips w/ Lights</b>	
46" (117)	36411
60" (152)	36412
74" (188)	36413
88" (224)	98624

**Note:** Signature Server® equipment orders cannot be canceled or returned.

**WARRANTY:** All models shown come with Vollrath's standard warranty against defects in materials and workmanship. For full warranty details, please refer to the Vollrath Equipment and Smallwares Catalog.

Approvals	Date

*Due to continued product improvement, please consult [www.vollrath.com](http://www.vollrath.com) for current product specifications.*



Outperform every day.™  
[www.vollrath.com](http://www.vollrath.com)

The Vollrath Company, L.L.C.  
1236 North 18th Street  
Sheboygan, WI 53081-3201 U.S.A.  
Customer Service: 800.628.0830  
Canada Customer Service: 800.695.8560  
Main Fax: 800.752.5620 or 920.459.6573

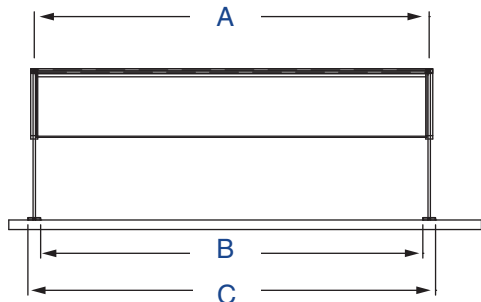
Technical Services: 800.628.0832  
Technical Services Fax: 920.459.5462

# BREATH GUARDS FOR SIGNATURE SERVER® WITH STAINLESS STEEL TOPS

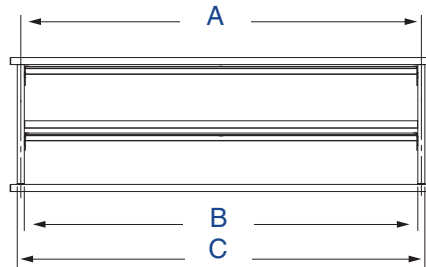
## DIMENSIONS

Dimensions shown in inches (cm).

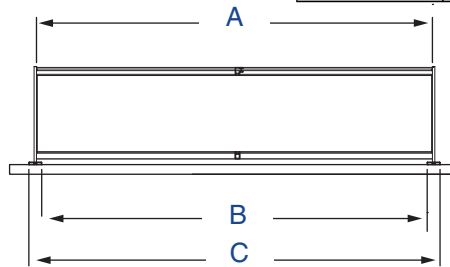
### Front View



*Classic Economy Buffet and Access®*



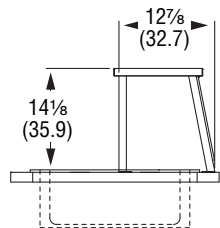
*Classic Cafeteria Double Shelf*



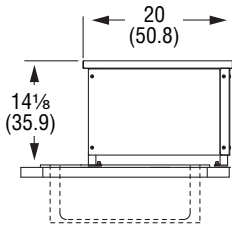
*Classic Cafeteria Single Shelf*

Style	(A) Center Line to Center Line	(B) Inside of Flange to Inside of Flange	(C) Outside of Flange to Outside of Flange
<b>Economy, Cafeteria Single Shelf, Cafeteria Double Shelf</b>			
Two-Well/Pan	25 (63.5)	24 (61)	26 (66)
Three-Well/Pan	43 (109.2)	42 (106.7)	44 (111.8)
Four-Well/Pan	57 (144.8)	56 (142.2)	58 (147.3)
Five-Well/Pan	71 (180.3)	70 (177.8)	72 (182.9)
Six-Well/Pan	85 (215.9)	84 (213.4)	86 (218.4)
<b>Access®</b>			
Two-Well/Pan	25 (63.5)	23 <sup>3</sup> / <sub>8</sub> (60)	26 <sup>3</sup> / <sub>8</sub> (67)
Three-Well/Pan	43 (109.2)	41 <sup>1</sup> / <sub>8</sub> (105.7)	44 <sup>3</sup> / <sub>8</sub> (112.7)
Four-Well/Pan	57 (144.8)	55 <sup>5</sup> / <sub>8</sub> (141.3)	58 <sup>3</sup> / <sub>8</sub> (148.3)
Five-Well/Pan	71 (180.3)	69 <sup>5</sup> / <sub>8</sub> (176.8)	72 <sup>3</sup> / <sub>8</sub> (183.8)
Six-Well/Pan	85 (215.9)	83 <sup>3</sup> / <sub>8</sub> (212.4)	86 <sup>3</sup> / <sub>8</sub> (219.4)

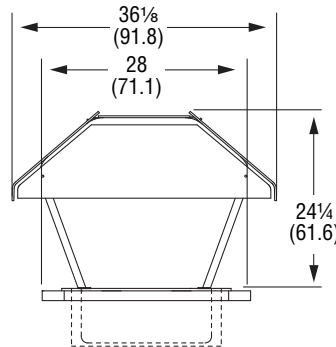
### Side View



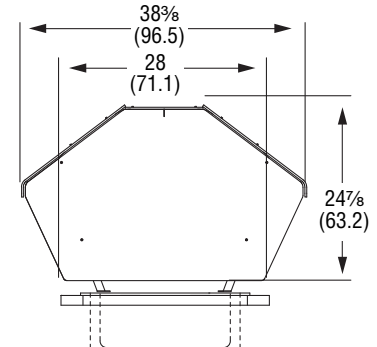
*Single Shelf  
Cafeteria Standard*



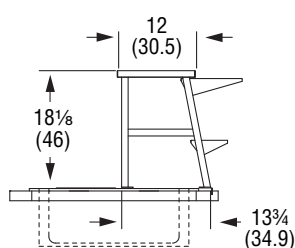
*Single Shelf  
Cafeteria NSF*



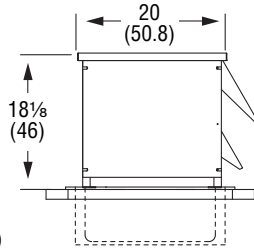
*Classic Economy  
Buffet Standard*



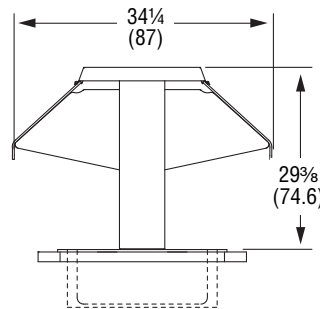
*Classic Economy  
Buffet NSF*



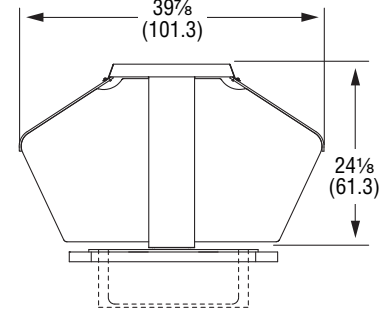
*Double Shelf  
Cafeteria Standard*



*Double Shelf  
Cafeteria NSF*



*Access® Standard*



*Access® NSF*



Outperform every day.™

[www.vollrath.com](http://www.vollrath.com)

The Vollrath Company, L.L.C.  
1236 North 18th Street  
Sheboygan, WI 53081-3201 U.S.A.  
Customer Service: 800.628.0830  
Canada Customer Service: 800.695.8560  
Main Fax: 800.752.5620 or 920.459.6573

Technical Services: 800.628.0832  
Technical Services Fax: 920.459.5462