



Outperform every day.™

Project:
Item Number:
Quantity:

Modular Drop-in: Top Mount Fabricator Well

The Vollrath Company, L.L.C.

MODULAR DROP-IN: TOP MOUNT FABRICATOR WELL



Modular Drop-in: Top Mount Fabricator Well

DESCRIPTION

The modular drop-in is designed for top-mount installation and requires hard-wiring. The beveled edge is designed for easy cleaning.

High-density glass fiber insulation and internal design features allow zero-clearance installation and use of 1000W elements.

Deep stainless steel well allows use of full-size and fractional pans up to 6" (15.2 cm) deep while still providing moist heat. Adaptor bars are recommended when using fractional pans.

Drop-in meets NSF4 performance standards only when using moist heat. Operation with water is required for even heating of the food product.

ITEMS

- 36368 120V (US/Canada)
- 36369 208-240V (US/Canada)

FEATURES

- Thermostatic control.
- Top is 20-gauge stainless steel, 18-8 Type 304, with approximately 1" (2.5 cm) overhang on all sides.
- Deep drawn well is 20-gauge 18-8 stainless steel.
- Standard 1000W heating element.
- Standard drain is ½" (1.27 cm) stainless steel fitting welded to pan with brass nipple extending below exterior housing. Drain screen included.
- Unit insulated on sides, ends, and below element assembly with high-density glass fiber insulation.
- Exterior housing is 20-gauge galvanized steel.
- Drop-in is supplied with stainless steel control panel for remote mounting of control.
- 4-ft. (121.9 cm) control cord contained in flexible metal conduit.
- Standard mounting tabs provided for sheet metal counters.

ACCESSORIES

- Optional mounting kit for laminate and solid surface countertops. Item No. 36370.

WARRANTY

All models shown come with Vollrath's standard warranty against defects in materials and workmanship. For full warranty details, please refer to www.Vollrath.com.

Agency Listings



Due to continued product improvement, please consult www.vollrath.com for current product specifications.

Approvals	Date



Outperform every day.™

www.vollrath.com

The Vollrath Company, L.L.C.

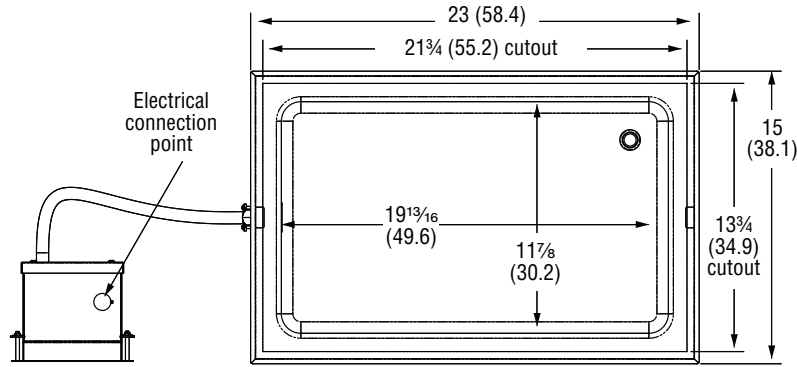
1236 North 18th Street
 Sheboygan, WI 53081-3201 U.S.A.
 Main Tel: 800.624.2051 or 920.457.4851
 Main Fax: 800.752.5620 or 920.459.6573
 Customer Service: 800.628.0830
 Canada Customer Service: 800.695.8560

Technical Services
techservicereps@vollrathco.com
 Induction Products: 800.825.6036
 Countertop Warming Products: 800.354.1970
 All Other Products: 800.628.0832

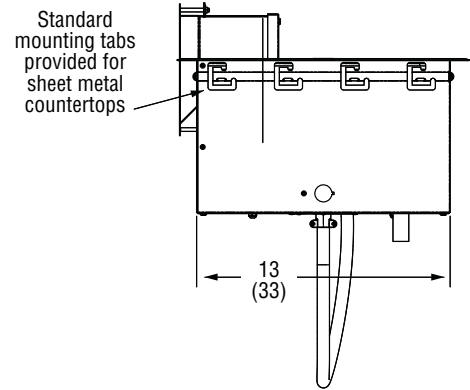
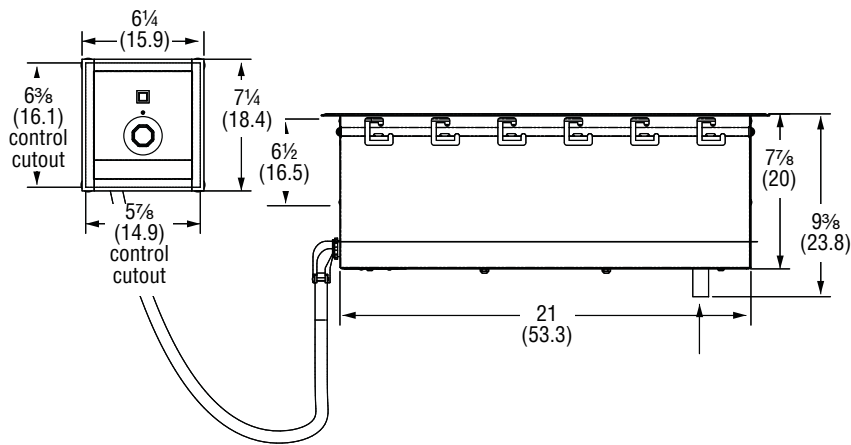
MODULAR DROP-IN: TOP MOUNT FABRICATOR WELL

DIMENSIONS (shown in inches (cm))

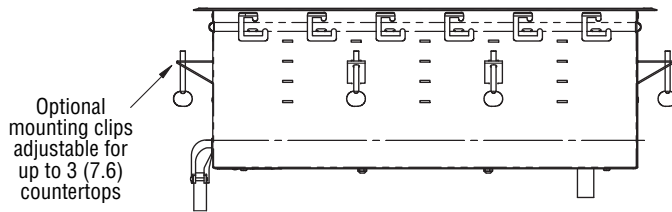
Opening cutout must have a 7/8" (2.2 cm) corner radius



Top View



Side View



Front Views

ELECTRICAL SPECIFICATIONS

Item No.	Watts	Volts	Amps
36368	1000	120	8.3
36369	750-1000	208-240	3.6-4.2



Outperform every day.™

www.vollrath.com

The Vollrath Company, L.L.C.

1236 North 18th Street
 Sheboygan, WI 53081-3201 U.S.A.
 Main Tel: 800.624.2051 or 920.457.4851
 Main Fax: 800.752.5620 or 920.459.6573
 Customer Service: 800.628.0830
 Canada Customer Service: 800.695.8560

Technical Services
techservicereps@vollrathco.com
 Induction Products: 800.825.6036
 Countertop Warming Products: 800.354.1970
 All Other Products: 800.628.0832