

# VICTORY<sup>®</sup>

## ULTRASPEC

PROJECT: \_\_\_\_\_

ITEM # \_\_\_\_\_ QTY: \_\_\_\_\_

MODEL # \_\_\_\_\_

AIA # \_\_\_\_\_ SIS # \_\_\_\_\_

### BOTTOM MOUNT GLASS DOOR DISPLAY FREEZER

## LSF23HC-1

BOTTOM MOUNT DISPLAY FREEZER



#### CABINET CONSTRUCTION

- Stainless Steel Exterior (galvanized back)
- Aluminum Interior
- LED Lighting
- High-Performance, Balanced, Bottom-Mounted Refrigeration
- Triple-Pane Glass Doors
- Spring-Loaded Hinge With Stay-Open Door Feature For Easy Product Loading
- One-Piece, Snap-In Magnetic Door Gasket
- Door Lock Standard
- Five (5) Heavy-Duty Epoxy Coated Shelves
- 6" Overall Height Casters Standard
- Field Reversible Doors (hinge kit not included)
- 8' Cord And Plug (see electrical data for details)

#### FEATURES

- Full Electronic Control
- Expansion Valve Technology
- Anti-Condensate Door Perimeter Heaters

#### REFRIGERATION

- Refrigeration System Uses R-290 Refrigerant To Comply With All Environmental Concerns
- Hot Gas Condensate Evaporator
- Adaptive Defrost For Reduced Energy Consumption And More Consistent Product Temperatures
- Epoxy Coated Evaporator Coil
- Freezer Capable Of Maintaining Product Temperature 0°F



- ▶ 3 Year Parts & Labor Warranty Plus An Additional 4 Year Compressor Warranty
- ▶ Exclusive 2 Year Warranty On Magnetic Door Gaskets
- ▶ Lifetime Warranty On Handles & Hinges (Parts Only)



Please verify qualifying units by visiting:  
[www.energystar.gov/cfs](http://www.energystar.gov/cfs)

#### OPTIONS & ACCESSORIES

- Secure-Temp™ Technology
- Electronic Lock Models
- 3", 6" Casters Or 6" Seismic Legs
- Black Or White Interior
- Door Swing Orientation (at time of order)
- Remote Models\* (6" legs only)  
(refrigerant must be specified at time of order, see note on back page)
- Custom Color Cabinet
- Additional Shelves

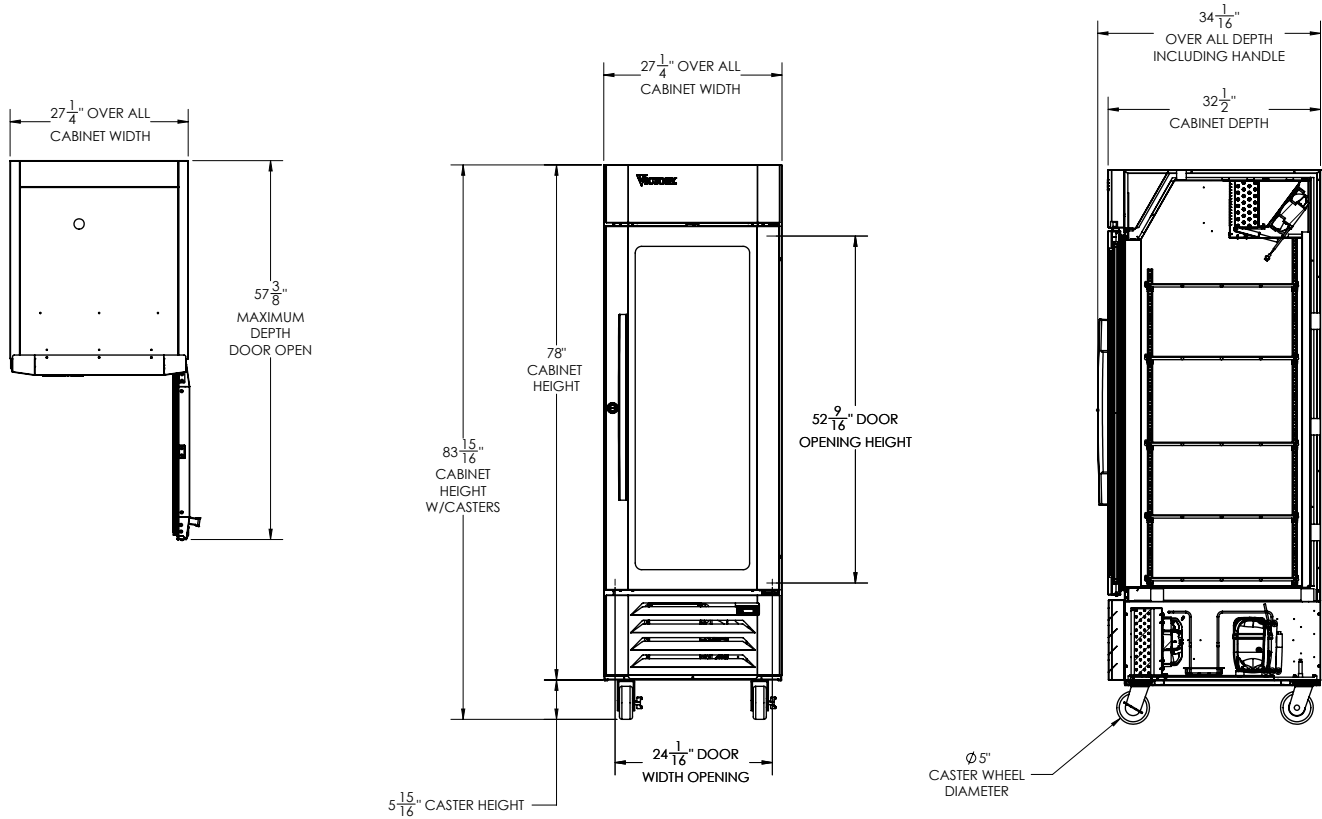
3779 Champion Blvd, Winston-Salem, NC 27105

ph: (888) 845-9800 | fax: (800) 253-5168

Sales@VictoryRefrigeration.com | VictoryRefrigeration.com

Rev. 7/7/20 Printed in the U.S.A.

APPROVAL: \_\_\_\_\_ DATE: \_\_\_\_\_



We reserve the right to change specifications and product design without notice. Such revisions do not entitle the buyer to corresponding changes, improvements, additions or replacements for previously purchased equipment. Dimensional tolerances +/- 1/4". Metric dimensions (MM)

CHARACTERISTICS		ELECTRICAL DATA		SHIPPING DETAILS	
Net Capacity	22.5	Cabinet Voltage	115/60/1	Height	85"
Width, Overall (in.)	27 1/4"	Total Amperes	7.5	Width	30"
Depth, Overall (with handle)	34 1/16"	NEMA Plug* (8' cord)	5-15P	Depth	36"
Height Overall (with casters)	83 15/16"	REFRIGERATION DATA		Crated Weight	430 lbs
Depth, Doors Open 90°	57 3/8"	Condensing Unit Size, HP*	3/4	*NOTE: Remote units are field wired and come with 6" legs. Refrigerant must be specified at time of order.	
Door Opening (in.)	24 1/16" x 52 9/16"	Refrigerant*	R-290		
No. Of Doors/Shelves	1/5	Capacity (BTU/HR) (100°F/20°F)	1927		

3779 Champion Blvd, Winston-Salem, NC 27105 | ph: (888) 845-9800 | fax: (800) 253-5168

Sales@VictoryRefrigeration.com | VictoryRefrigeration.com

Rev. 7/7/20 Printed in the U.S.A.

an Ali Group Company



The Spirit of Excellence