

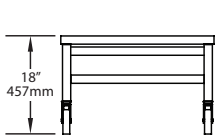


## CART & STACKING STAND SPECIFICATIONS

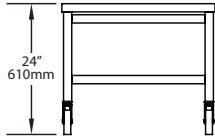
Project \_\_\_\_\_

Item No. \_\_\_\_\_

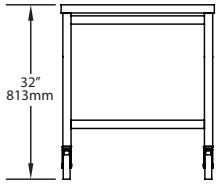
Quantity \_\_\_\_\_



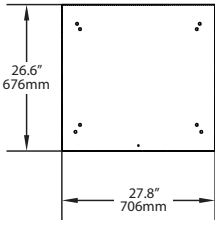
18" Oven Cart-Front



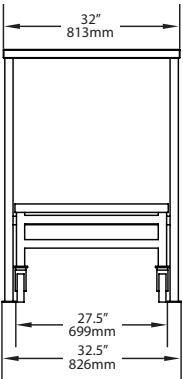
24" Oven Cart-Front



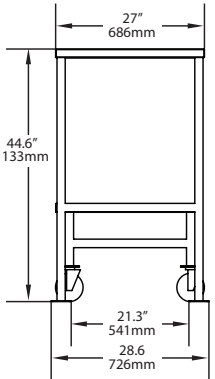
32" Oven Cart-Front



All Oven Carts-Top Shelf



Oven Stacking Stand-Front



Oven Stacking Stand-Side

### PART NUMBERS

- 18" Oven Cart: NGC-1217-2
- 24" Oven Cart: NGC-1217-1
- 32" Oven Cart: NGC-1217-3
- Stacking Stand (i3 and i5, for use with 18" cart only): i5-9369

### CONSTRUCTION

- Stainless steel top shelf and frame
- Integrated locking casters (Oven Carts only)

### COMPATIBILITY

- C3 Oven: Remove legs and attach to inner mounting holes with provided hardware
- NGC Oven: Remove legs and attach to outer mounting holes with provided hardware
- HHB Oven: Attach to outer mounting holes with HHB Oven Cart Clamp Set (see Stacking Hardware below)
- i5 and i3 Oven: Place oven on top shelf. Oven is sealed to the top shelf via integrated rubber-base gasket

**⚠ CAUTION:** Seals, attachments, and locking the casters will not prevent injury or oven damage if the oven is forcefully pulled or not properly attached.

### STACKING HARDWARE

**⚠ CAUTION:** Ovens cannot be safely stacked using 32" cart.

- C3 and NGC Stacking Bracket (P/N:TC3-0323)
- NGC Sorbothane® Stacking Mat (P/N: NGC-1342-1)
- HHB Stacking Bracket (P/N: HHB-8165)
- HHB Oven Cart Clamp Set (P/N: HHB-8206)

NOTE: See DOC-1032 for comprehensive stacking information.

### OVEN DIMENSIONS WITH CARTS

#### Height - Single Ovens

| Cart Only      | NGC             | C3                | HHB               | i5                | i3                 |
|----------------|-----------------|-------------------|-------------------|-------------------|--------------------|
| 18"<br>(457mm) | 37"<br>(940mm)  | 39.5"<br>(1003mm) | 38.5"<br>(978mm)  | 42.3"<br>(1074mm) | 39.25"<br>(997mm)  |
| 24"<br>(610mm) | 43"<br>(1092mm) | 45.5"<br>(1156mm) | 44.5"<br>(1130mm) | 48.3"<br>(1227mm) | 45.25"<br>(1149mm) |
| 32"<br>(813mm) | 51"<br>(1295mm) | 53.5"<br>(1359mm) | 52.5"<br>(1334mm) | 56.3"<br>(1430mm) | 53.25"<br>(1353mm) |

#### Height - Stacked Ovens

| Cart Only      | Top: i3<br>Bottom: i5 | Top: i3<br>Bottom: i3 | Top: i5<br>Bottom: i5 | Top: i5<br>Bottom: i3 | Top: NGC<br>Bottom: NGC | Top: C3<br>Bottom: C3 | Top: NGC<br>Bottom: C3 | Top: HHB<br>Bottom: HHB | Top: HHB<br>Bottom: C3 | Top: NGC<br>Bottom: HHB |
|----------------|-----------------------|-----------------------|-----------------------|-----------------------|-------------------------|-----------------------|------------------------|-------------------------|------------------------|-------------------------|
| 18"<br>(457mm) | 65.85"<br>(1673mm)    | 65.85"<br>(1673mm)    | 68.9"<br>(1750mm)     | 68.9"<br>(1750mm)     | 56"<br>(1422mm)         | 61"<br>(1549mm)       | 58.5"<br>(1486mm)      | 59"<br>(1499mm)         | 60"<br>(1524mm)        | 57.5"<br>(1460mm)       |
| 24"<br>(610mm) | -                     | -                     | -                     | -                     | 62"<br>(1575mm)         | 67"<br>(1702mm)       | 64.5"<br>(1638mm)      | 65"<br>(1651mm)         | 66"<br>(1676mm)        | 63.5"<br>(1613mm)       |
| 32"<br>(813mm) | -                     | -                     | -                     | -                     | -                       | -                     | -                      | -                       | -                      | -                       |

#### Width - Single Ovens

| Cart Only        | NGC              | C3             | HHB              | i5               | i3               |
|------------------|------------------|----------------|------------------|------------------|------------------|
| 27.8"<br>(706mm) | 27.8"<br>(706mm) | 29"<br>(737mm) | 27.8"<br>(706mm) | 28.1"<br>(714mm) | 27.8"<br>(706mm) |

#### Width - Stacked Ovens

| Cart Only        | Top: i3<br>Bottom: i5 | Top: i3<br>Bottom: i3 | Top: i5<br>Bottom: i5 | Top: i5<br>Bottom: i3 | Top: NGC<br>Bottom: NGC | Top: C3<br>Bottom: C3 | Top: NGC<br>Bottom: C3 | Top: HHB<br>Bottom: HHB | Top: HHB<br>Bottom: C3 | Top: NGC<br>Bottom: HHB |
|------------------|-----------------------|-----------------------|-----------------------|-----------------------|-------------------------|-----------------------|------------------------|-------------------------|------------------------|-------------------------|
| 27.8"<br>(706mm) | 32.5"<br>(826mm)      | 32.5"<br>(826mm)      | 32.5"<br>(826mm)      | 32.5"<br>(826mm)      | 27.8"<br>(706mm)        | 29"<br>(737mm)        | 29"<br>(737mm)         | 27.8"<br>(706mm)        | 29"<br>(737mm)         | 27.8"<br>(706mm)        |

#### Depth - Single Ovens

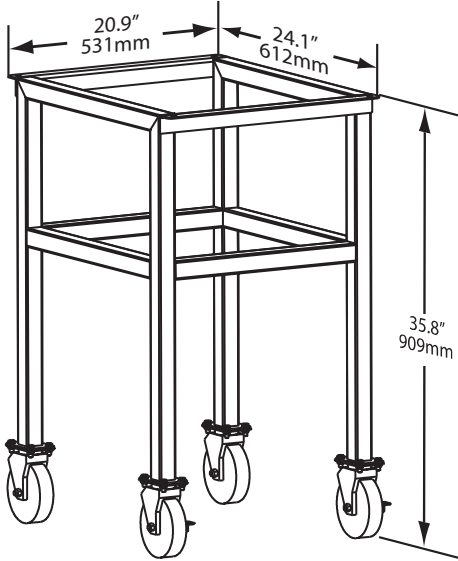
| Cart Only        | NGC              | C3                | HHB              | i5               | i3                |
|------------------|------------------|-------------------|------------------|------------------|-------------------|
| 26.6"<br>(676mm) | 28.2"<br>(716mm) | 32.25"<br>(826mm) | 31.5"<br>(800mm) | 31.1"<br>(790mm) | 31.25"<br>(794mm) |

#### Depth - Stacked Ovens

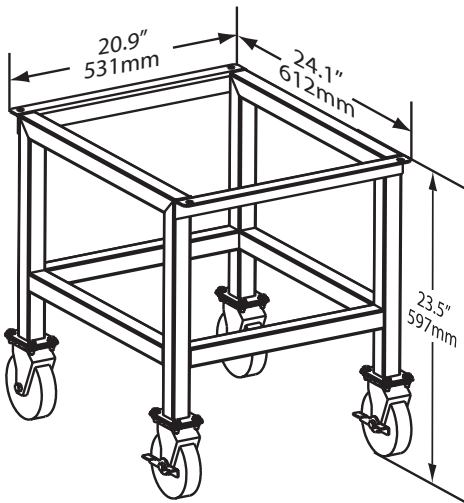
| Cart Only        | Top: i3<br>Bottom: i5 | Top: i3<br>Bottom: i3 | Top: i5<br>Bottom: i5 | Top: i5<br>Bottom: i3 | Top: NGC<br>Bottom: NGC | Top: C3<br>Bottom: C3 | Top: NGC<br>Bottom: C3 | Top: HHB<br>Bottom: HHB | Top: HHB<br>Bottom: C3 | Top: NGC<br>Bottom: HHB |
|------------------|-----------------------|-----------------------|-----------------------|-----------------------|-------------------------|-----------------------|------------------------|-------------------------|------------------------|-------------------------|
| 26.6"<br>(676mm) | 31.25"<br>(794mm)     | 31.25"<br>(794mm)     | 31.1"<br>(790mm)      | 31.25"<br>(794mm)     | 28.2"<br>(716mm)        | 32.25"<br>(826mm)     | 32.25"<br>(826mm)      | 31.5"<br>(800mm)        | 32.25"<br>(826mm)      | 31.5"<br>(800mm)        |



## HhC 2020 OVEN CARTS



HhC 2020 Oven Cart (35.8")



HhC 2020 Oven Cart (23.5")

Project \_\_\_\_\_

Item No. \_\_\_\_\_

Quantity \_\_\_\_\_

### PART NUMBERS

- 35.8" Oven Cart: HCT-3004-1
- 23.5" Oven Cart: HCT-3004-2

### CONSTRUCTION

- Stainless steel frame
- Integrated locking casters

### COMPATIBILITY

- HhC 2020 Oven: Remove legs and attach to mounting holes with provided hardware
  - 35.8" Oven Cart supports one oven
  - 23.5" Oven Cart supports two or three stacked ovens (one HCT-3001 Stacking Bracket Kit is required to stack two ovens, and two HCT-3001 kits are required to stack three ovens)

**⚠ CAUTION:** Attachments and locking the casters will not prevent injury or oven damage if the oven is forcefully pulled or not properly attached.

**⚠ CAUTION:** Ovens cannot be safely stacked using 35.8" cart.

### OVEN DIMENSIONS WITH CARTS

| Cart Dimensions  | Width (with extensions) | Width (without extensions) | Depth         | Height Single Oven | Height Double Stacked | Height Triple Stacked |
|--|-------------------------|----------------------------|---------------|--------------------|-----------------------|-----------------------|
| Height: 35.8" (909 mm)<br>Width: 20.9" (531 mm)<br>Depth: 24.1" (612 mm) | 60.1" (1527mm)          | 48.3" (1227mm)             | 35.7" (907mm) | 48.8" (1240mm)     | -                     | -                     |
| Height: 23.5" (597 mm)<br>Width: 20.9" (531 mm)<br>Depth: 24.1" (612 mm) | 60.1" (1527mm)          | 48.3" (1227mm)             | 35.7" (907mm) | 36.5" (927mm)      | 49.5" (1257 mm)       | 62.5" (1588mm)        |