

TWO CHAMBER RANGES

EQUIPMENT



Standard Features pages 2-5. Options & Accessories pages 18-24.

Flue Risers vent chambers for maximum chef comfort. See photo at bottom of page 4.

Series, model, chamber, burner and options selection guide pages 25-26.

Select series, model, finish, and type of gas: natural (N) or propane (P) from list below.

Chamber sizes, select two: 13", 16", 18", 20", 22"*. Photos with item numbers page 2.

Select a burner per chamber: Photos with item numbers page 3.

Specify chamber ring and burner by item number for each chamber.

*Multiple large chambers may require a custom body size.

Express: Maximum Value. Fiber Ceramic chambers on fixed centers in standard bodies only. Front access sink at right. See limitations pages 5 & 26.

Express with flues	Express without flues	description
EF-2-STD-N or P	E-2-STD-N or P	Two Chambers, Standard Finish
EF-2-SS-N or P	E-2-SS-N or P	Two Chambers, S/S Body Sides

YORK: Custom at standard prices.

Fiber Ceramic chambers and front access sink located to customer's requirements.

All options available.

York with flues	York without flues	description
YF-2-STD-N or P	Y-2-STD-N or P	Two Chambers, Standard Finish
YF-2-SS-N or P	Y-2-SS-N or P	Two Chambers, S/S Body Sides

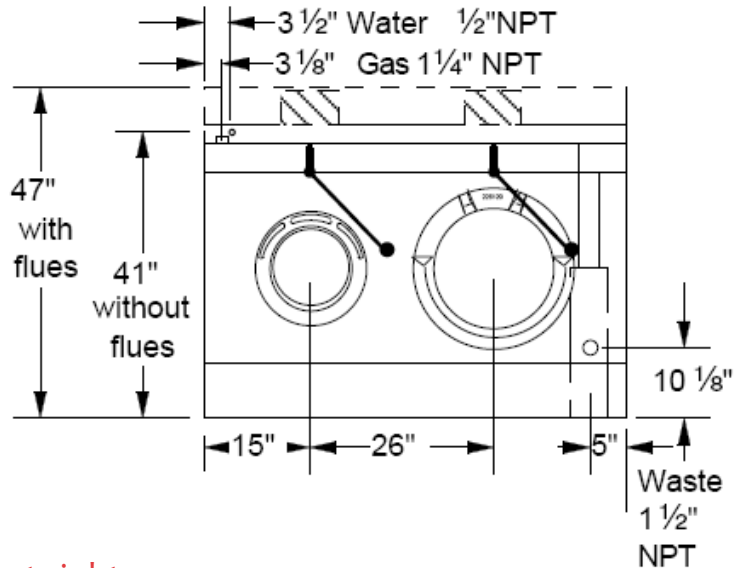
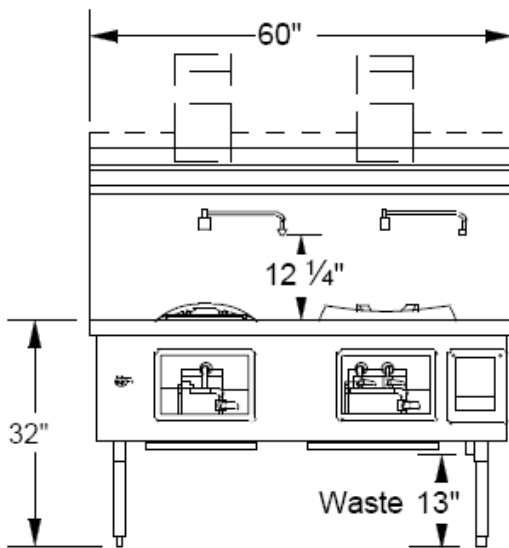
MASTERRANGE: For the professional, there is no equal.®

Our Best. Refractory Brick chambers cook faster and last longer. Chambers and front access sink located to customer's requirements. All options available.

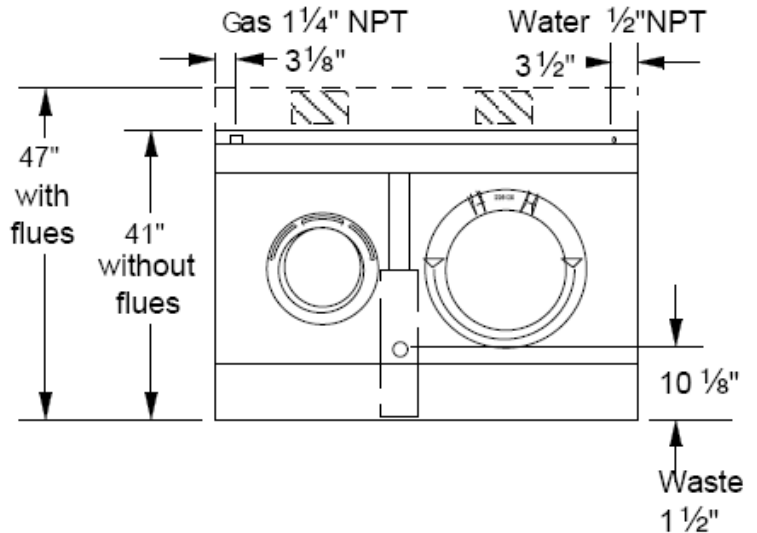
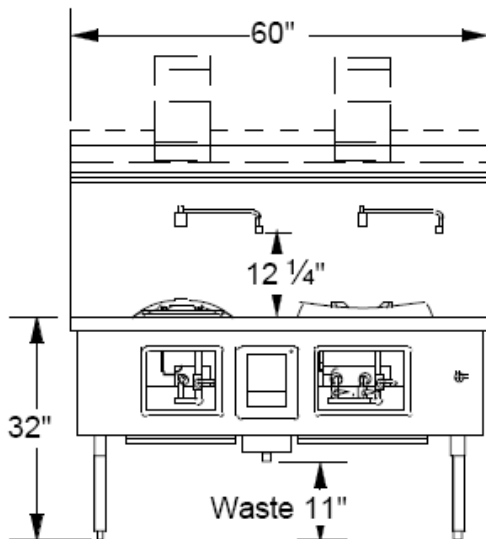
MasteRRange with flues	MasteRRange without flues	description
MF-2-STD-N or P	M-2-STD-N or P	Two Chambers, Standard Finish
MF-2-SS-N or P	M-2-SS-N or P	Two Chambers, S/S Body Sides



TWO CHAMBER RANGES



Express: Chamber centers fixed and sink at right.



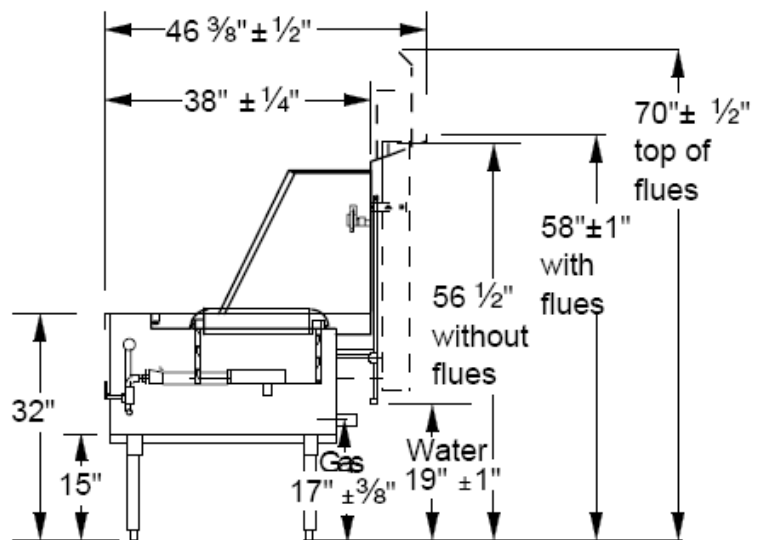
York & MasterRange: Sink and chamber position vary with customer's needs.



models	ship wt †	cu ft †
EF-2-*	700	105
E-2-*	600	95
YF-2-*	700	105
Y-2-*	600	95
MF-2-*	800	105
M-2-*	750	95

* Specify finish and type of gas.

† approximate



Side view, all models.