

# FIVE CHAMBER RANGES



Standard Features pages 2-5. Options & Accessories pages 18-24.

Flue Risers vent chambers for maximum chef comfort. See photo at bottom of page 4.

Series, model, chamber, burner and options selection guide pages 25-26.

Select series, model, finish, and type of gas: natural (N) or propane (P) from list below.

Chamber sizes, select five: 13", 16", 18", 20", 22"\*. Photos with item numbers page 2.

Select a burner per chamber: Photos with item numbers page 3.

Specify chamber ring and burner by item number for each chamber.

\*Multiple large chambers may require a custom body size. Optional large sink recommended for this model.

**Express: Maximum Value.** Fiber Ceramic chambers on fixed centers in standard bodies only. Front access sink at right. See limitations pages 5 & 26.

<i>Express with flues</i>	<i>Express without flues</i>	<i>description</i>
<i>EF-5-STD-N or P</i>	<i>E-5-STD-N or P</i>	<i>Five Chambers, Standard Finish</i>
<i>EF-5-SS-N or P</i>	<i>E-5-SS-N or P</i>	<i>Five Chambers, S/S Body Sides</i>

**YORK: Custom at standard prices.**

Fiber Ceramic chambers and front access sink located to customer's requirements.

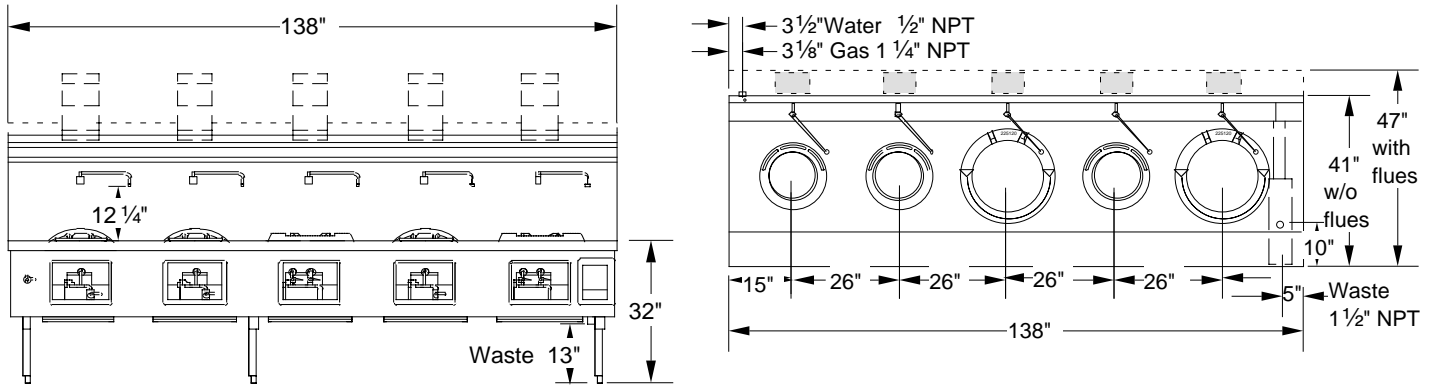
All options available.

<i>York with flues</i>	<i>York without flues</i>	<i>description</i>
<i>YF-5-STD-N or P</i>	<i>Y-5-STD-N or P</i>	<i>Five Chambers, Standard Finish</i>
<i>YF-5-SS-N or P</i>	<i>Y-5-SS-N or P</i>	<i>Five Chambers, S/S Body Sides</i>

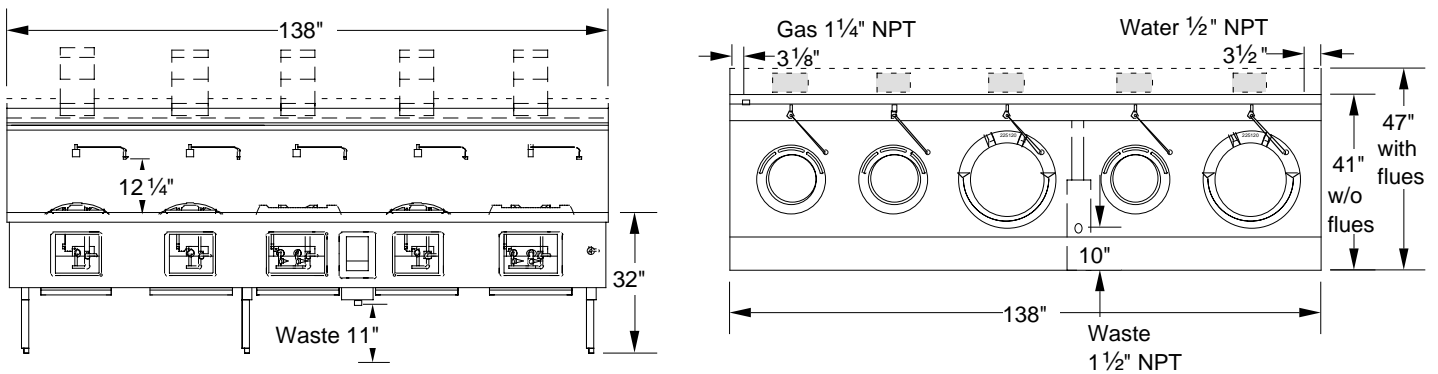
**MASTERRANGE: For the professional, there is no equal.®**

Our Best. Refractory Brick chambers cook faster and last longer. Chambers and front access sink located to customer's requirements. All options available.

<i>MasteRRange with flues</i>	<i>MasteRRange without flues</i>	<i>description</i>
<i>MF-5-STD-N or P</i>	<i>M-5-STD-N or P</i>	<i>Five Chambers, Standard Finish</i>
<i>MF-5-SS-N or P</i>	<i>M-5-SS-N or P</i>	<i>Five Chambers, S/S Body Sides</i>



Express: Chamber centers fixed and sink at right.



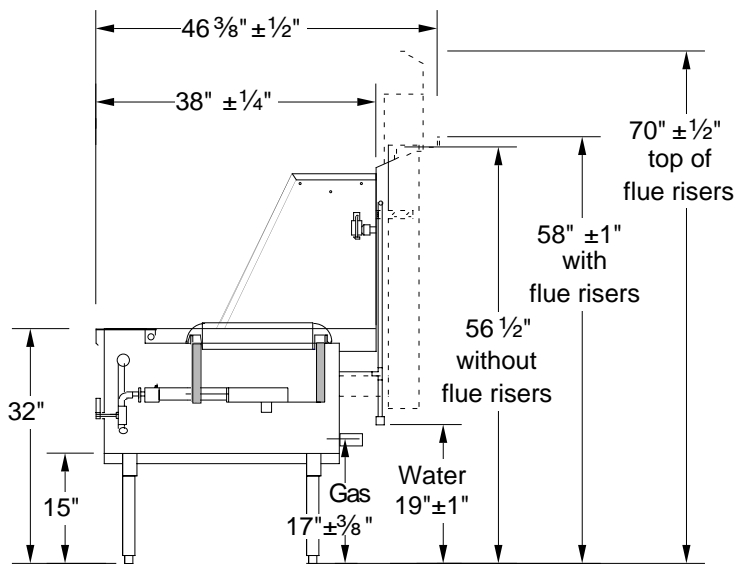
York & MasteRRange: Sink and chamber position vary with customer's needs.



models	ship wt †	cu ft †
EF-5-*	1600	232
E-5-*	1400	209
YF-5-*	1600	232
Y-5-*	1400	209
MF-5-*	1800	232
M-5-*	1600	209

\* Specify finish and type of gas.

† approximate



Side view, all models.

