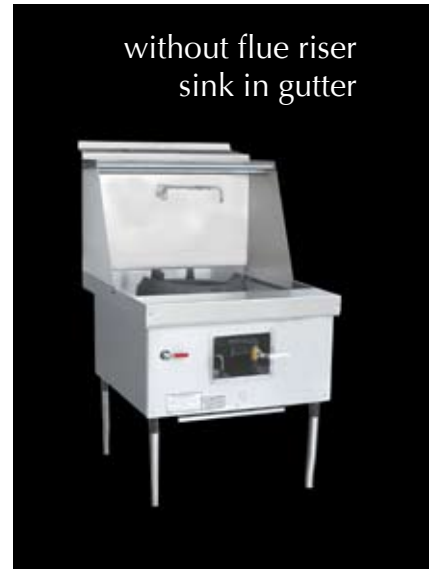


ONE CHAMBER RANGES

EQUIPMENT



Flue Riser vents chamber for maximum chef comfort. See photo at bottom of page 4. Standard Features pages 2-5. Options & Accessories pages 18-24.

Series, model, chamber, burner and options selection guide pages 25-26.



Select model, finish and type of gas: natural (N) or propane (P).

Chamber size, select one: 13", 16", 18", 20", 22"*. Photos with item number page 2.

Burner type, select one: Photos with item number page 3.

Specify chamber ring and burner by item number per chamber.

* chamber spacing may require a custom body size.

Express: Maximum Value. Fiber Ceramic chamber with fixed center. Standard body only. Front access sink at right. See limitations pages 5 & 26.

| Express with flue | Express without flue | description |
|-------------------|----------------------|------------------------------|
| EF-1-STD-N or P | E-1-STD-N or P | One Chamber, Standard Finish |
| EF-1-SS-N or P | E-1-SS-N or P | One Chamber, S/S Body Sides |

YORK: Custom at standard prices.

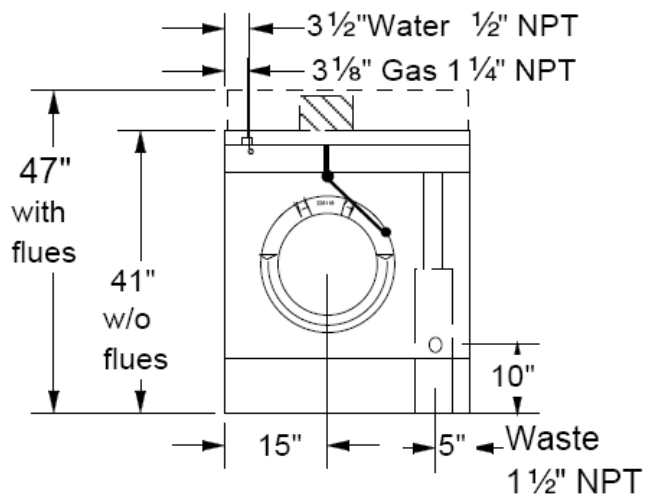
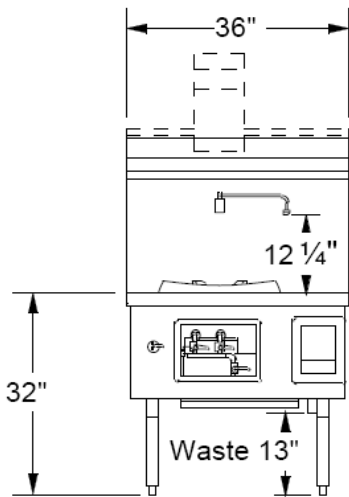
Fiber Ceramic chamber located to customer's requirement, strainer basket in gutter. All options available.

| York with flue | York without flue | description |
|-----------------|-------------------|------------------------------|
| YF-1-STD-N or P | Y-1-STD-N or P | One Chamber, Standard Finish |
| YF-1-SS-N or P | Y-1-SS-N or P | One Chamber, S/S Body Sides |

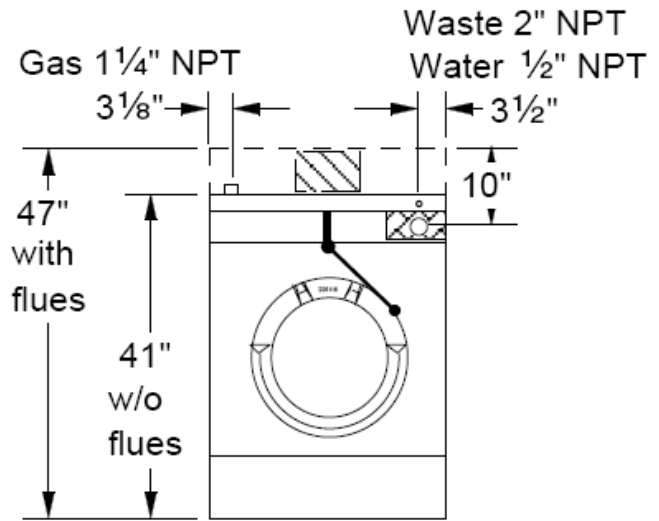
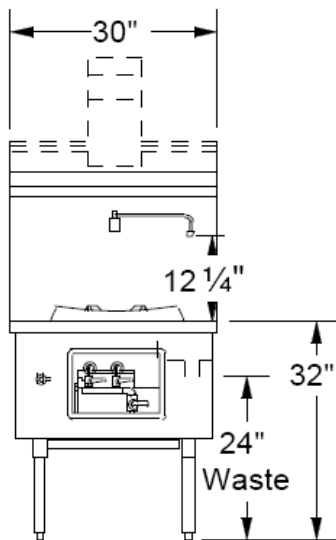
MASTERRANGE: For the professional, there is no equal.®

Our Best. Refractory Brick chamber cooks faster and lasts longer. Chamber located to customer's requirement, strainer basket in gutter. All options available.

| MasteRRange with flue | MasteRRange without flue | description |
|-----------------------|--------------------------|------------------------------|
| MF-1-STD-N or P | M-1-STD-N or P | One Chamber, Standard Finish |
| MF-1-SS-N or P | M-1-SS-N or P | One Chamber, S/S Body Sides |



Express: Chamber centers fixed and sink in body at right.



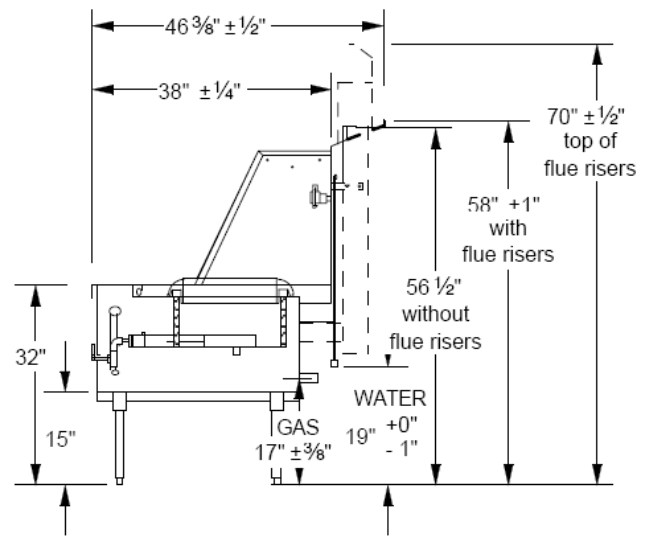
York & MasterRRange: Sink in gutter and chamber position vary with customer's needs.



| models | ship wt † | cu ft † |
|--------|-----------|---------|
| EF-1-* | 400 | 58 |
| E-1-* | 360 | 52 |
| YF-1-* | 400 | 58 |
| Y-1-* | 360 | 52 |
| MF-1-* | 450 | 58 |
| M-1-* | 400 | 52 |

* Specify finish and type of gas.

† approximate



Side view, all models.