



COMMERCIAL MICROWAVE

Models:

SCM2100M2

User Manual

BEFORE USE, PLEASE READ AND FOLLOW ALL SAFETY RULES AND OPERATING INSTRUCTIONS.

Write Model and Serial Numbers here:

Model _____

Serial No. _____

Felix Storch, Inc.
An ISO 9001:2015 registered company
770 Garrison Ave
Bronx, New York 10474
www.summitappliance.com

TABLE OF CONTENTS

| | |
|-------------------------------------|----|
| IMPORTANT SAFETY INSTRUCTIONS | 1 |
| SPECIFICATIONS..... | 4 |
| MICROWAVE USAGE..... | 5 |
| INSTALLATION | 7 |
| OPERATION | 10 |
| MAINTENANCE | 18 |
| TROUBLESHOOTING | 20 |
| LIMITED WARRANTY | 22 |

IMPORTANT SAFETY INSTRUCTIONS

When using electrical appliances basic safety precautions should be followed, including the following:

WARNING - To reduce the risk of burns, electric shock, fire, injury to persons or exposure to excessive microwave energy:

1. Read all instructions before using the appliance.
2. Read and follow the specific: "PRECAUTIONS TO AVOID POSSIBLE EXPOSURE TO EXCESSIVE MICROWAVE ENERGY" found on page 2.
3. This appliance must be grounded. Connect only to properly grounded outlet. See "GROUNDING INSTRUCTIONS" found on page 5.
4. Install or locate this appliance only in accordance with the provided installation instructions.
5. Some products such as whole eggs and sealed containers - for example, closed glass jars - are able to explode and should not be heated in this microwave.
6. Use this appliance only for its intended use as described in the manual. Do not use corrosive chemicals or vapors in this appliance. This type of microwave is specifically designed to heat, cook or dry food. It is not designed for industrial or laboratory use.
7. HOT CONTENTS CAN CAUSE SEVERE BURNS. DO NOT ALLOW CHILDREN TO USE THE MICROWAVE. Use caution when removing hot items.
8. Do not operate this appliance if it has a damaged cord or plug, if it is not working properly, or if it has been damaged or dropped.
9. This appliance should be serviced only by qualified service personnel. Contact nearest authorized service facility for examination, repair, or adjustment.
10. Do not cover or block any openings on the appliance.
11. Do not store this appliance outdoors. Do not use this product near water - for example, near a kitchen sink, in a wet basement, near a swimming pool, or similar location.
12. Do not immerse cord or plug in water.
13. Keep cord away from heated surface.
14. Do not let cord hang over edge of table or counter.
15. When cleaning surfaces of door and microwave that comes together on closing the door, use only mild, nonabrasive soaps, or detergent applied with a sponge or soft cloth.
16. To reduce the risk of fire in the microwave cavity:
 - 1). Do not overcook food. Carefully attend appliance when paper, plastic, or other combustible materials are placed inside the microwave to facilitate cooking.
 - 2). Remove wire twist-ties from paper or plastic bag before placing bag in microwave.
 - 3). If material inside of the microwave ignite, keep microwave door closed, turn microwave off, and disconnect the power cord, or shut off power at the fuse or circuit breaker panel.
 - 4). Do not use the cavity for storage purposes. Do not leave paper products, cooking utensils, or food in the cavity when not in use.

17. Liquids, such as water, coffee, or tea are able to be overheated beyond the boiling point without appearing to be boiling. Visible bubbling or boiling when the container is removed from the microwave microwave is not always present.
THIS COULD RESULT IN VERY HOT LIQUID SUDDENLY BOILING OVER WHEN THE CONTAINER IS DISTURBED OR A UTENSIL IS INSERTED INTO THE LIQUID.
To reduce the risk of injury to persons:
- 1) Do not overheat the liquid.
 - 2) Stir the liquid both before and halfway through heating it.
 - 3) Do not use straight-sided containers with narrow necks.
 - 4) After heating, allow the container to stand in the microwave for a short time before removing the container.
 - 5) Use extreme care when inserting a spoon or other utensil into the container.

SAVE THESE INSTRUCTIONS

Precautions to Avoid Possible Exposure to Excessive Microwave Energy

- (a) Do not attempt to operate this microwave with the door open since open door operation can result in harmful exposure to microwave energy.
It is important not to defeat or tamper with the safety interlocks.
- (b) Do not place any object between the microwave front face and the door or allows soil or cleaner residue to accumulate on sealing surfaces.
- (c) Do not operate the microwave if it is damaged. It is particularly important that the microwave door close properly and that there is no damage to the:
 - (1) DOOR (bent)
 - (2) HINGES AND LATCHES (broken or loosened)
 - (3) DOOR SEALS AND SEALING SURFACES
- (d) The microwave should not be adjusted or repaired by anyone except properly qualified service personnel.

Radio Interference

1. Operation of the microwave may cause interference to your radio, TV or similar equipment.
2. When there is interference, it may be reduced or eliminated by taking the following measures:
 - a. Clean door and sealing surface of the microwave.
 - b. Reorient the receiving antenna of radio or television.
 - c. Relocate the microwave with respect to the receiver.
 - d. Move the microwave away from the receiver.
 - e. Plug the microwave into a different outlet so that microwave and receiver are on different branch circuits.
3. This equipment generates, uses, and can emit radio frequency energy. If not installed and used according to the instructions, it may cause harmful interference to radio communications. However, there is no guarantee that interference will not occur in a specific installation. If this equipment does cause harmful interference to radio or television reception—determined by turning the equipment off and on—users are encouraged to try one or more of the following measures to correct the interference:
 - a. Reorient or relocate the receiving antenna.
 - b. Increase the separation between the equipment and receiver.
 - c. Connect the equipment into an outlet on a circuit different from that to which the receiver is connected.
 - d. Consult the dealer or an experienced radio/TV technician for help.

Grounding Instructions

This appliance must be grounded. In the event of an electrical short circuit, grounding reduces the risk of electric shock by providing an escape wire for the electric current. This appliance is equipped with a cord having a grounding wire with a grounding plug. The plug must be plugged into an outlet that is properly installed and grounded.

WARNING: Improper use of the grounding can result in a risk of electric shock. Consult a qualified electrician or serviceman if the grounding instructions are not completely understood, or if doubt exists as to whether the appliance is properly grounded. If it is necessary to use an extension cord, use only a 3-wire extension cord that has a 3-blade grounded plug, and 3-slot receptacle that will accept the plug on the appliance. The marked rating of the extension cord shall be equal to or greater than the electrical rating of the appliance.

DANGER: Electric Shock Hazard

Touching some of the internal components can cause serious personal injury or death. Do not disassemble this appliance.

WARNING: Electric Shock Hazard

Improper use of the grounding can result in electric shock. Do not plug into an outlet until appliance is properly installed and grounded.

1. A short power-supply cord is provided to reduce the risks resulting from becoming entangled in or tripping over a longer cord.
2. Longer cord sets or extension cords are available and may be used if care is exercised in their use.
3. If a long cord or extension cord is used:
 - a. The marked electrical rating of the cord set or extension cord should be at least as great as the electrical rating of the appliance.
 - b. The extension cord must be a grounding-type 3-wire cord.
 - c. The longer cord should be arranged so that it will not drape over the counter top or tabletop where it can be pulled on by children or tripped over unintentionally.

SPECIFICATIONS

| | |
|--------------------------------|-----------------|
| Model: | SCM2100M2 |
| Rated Voltage: | 208/230VAC 60Hz |
| Rated Input Power(Microwave): | 3200 W |
| Rated Output Power(Microwave): | 2100 W |

MICROWAVE USAGE

Important Safety and Usage Guidelines for Your Microwave

1. The microwave must be on a leveled surface.
2. Use only the specified bag size when using Direct Access Popcorn.
3. The microwave has several built-in safety switches to ensure that the power remains off when the door is open. Do not tamper with these switches.
4. **Do not** operate the microwave empty. Operating the microwave with no food or food that is extremely low in moisture can cause fire, charring, or sparking.
5. **Do not** heat baby bottles or baby food in the microwave. Uneven heating may occur and could cause physical injury.
6. **Do not** heat narrow-necked containers, such as syrup bottles.
7. **Do not** attempt to deep-fry in your microwave.
8. **Do not** attempt home canning in this microwave, as it is impossible to be sure all contents of the jar have reached boiling temperature.
9. To prevent delayed eruptive boiling of hot liquids and beverages or scalding yourself, stir liquid before placing the container in the microwave and again halfway through cooking time. Let stand in the microwave for a short time and stir again before removing the container.
10. Use carefully when cooking food in the microwave to avoid burning due to excessive cooking.
11. Failure to maintain the microwave in a clean condition could lead to deterioration that could adversely affect the life of the appliance and possibly result in a hazardous situation.

This device complies with part 18 of the FCC Rules.

Safe and Unsafe Materials for Microwave Use

For safety, refer to the sections on "Materials Safe for Microwave Use" and "Materials to Avoid." Some non-metallic utensils may not be microwave-safe. If you're unsure, you can test them using the procedure below.

CAUTION!

Tightly closed containers may explode. Always open closed containers and pierce plastic pouches before microwaving.

Utensil Test:

1. Fill a microwave-safe container with 1 cup (250ml) of cold water and place the utensil inside.
2. Microwave on high for 1 minute.
3. Carefully check the utensil. If it feels warm, do not use it in the microwave.
4. Do not exceed the 1-minute cooking time.

Microwave-Safe Utensils:

- Browning dish
- Dinnerware
- Glass jars
- Glassware
- Microwave cook bag
- Paper plates and cups
- Paper towels
- Parchment paper
- Plastic containers
- Plastic Wrap
- Thermometers
- Wax paper

Avoid in Microwave:

- Aluminum tray
- Food carton with metal handle
- Metal or metal-trimmed utensils
- Metal twist ties
- Paper bags
- Plastic foam
- Wood

General Safety Tips:

- Always follow the manufacturer's instructions.
- Don't use cracked or chipped items.
- Don't leave the microwave unattended.
- Supervise when cooking or reheating.

INSTALLATION

Electrical Installation and System Compatibility

1. The switching operation of this microwave can cause voltage fluctuations on the supply line. The operation of this microwave under unfavorable voltage supply conditions can have adverse effects. This device is intended for the connection to a power supply system with a maximum permissible system impedance Z_{max} of 0.2 Ohms at the interface point of the user's supply. The user has to ensure that this device is connected only to a power supply system that fulfills the requirement above. If necessary, the user can ask the public power supply company for the system impedance at the interface point.

2. If there is no equipotential bonding conductor in the electric supply, an external equipotential bonding conductor must be installed at the rear of the appliance (see symbol). This terminal shall be in effective electrical contact with all fixed exposed metal parts and shall allow the connection of a conductor having a nominal cross-sectional area up to 10 mm².



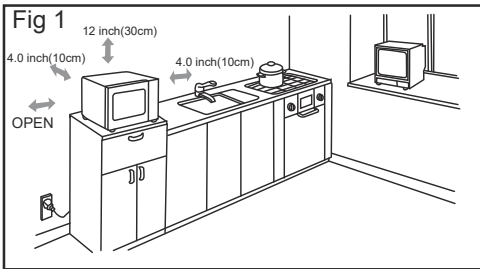
Symbol for the external connection of equipotential bonding conductors.

Pre-Installation Inspection and Preparation:

- 1. Unpack the Microwave**
Remove all packing materials and accessories from the microwave.
- 2. Check for Damage**
Inspect the microwave for any visible damage, such as dents or a broken door. *Do not proceed with installation if the microwave is damaged.*
- 3. Remove Protective Film**
If present, carefully peel off any protective film from the surface of the microwave cabinet.

Choosing a Location

Select a level surface that provides enough open space for the intake and outlet vents (see Figure 1).



Maintain a spacing of 4 inches (10 cm) between the appliance and the right and back walls, and a spacing of 12 inches (30 cm) above the appliance. Do not remove the appliance's feet or block the air intake and exhaust openings. The left side must remain unobstructed.

- Blocking the intake and outlet openings can damage the microwave.
- Position the microwave as far away from radios and TVs as possible, as the operation of the microwave may cause interference with reception.
- Plug the microwave into a standard household outlet, ensuring that the voltage and frequency match the specifications on the rating label.

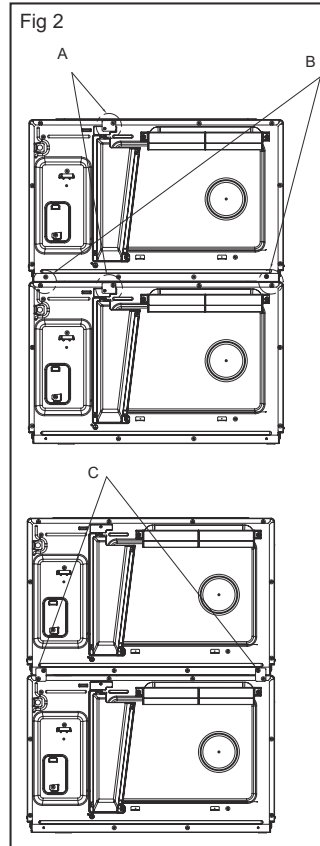
Warning: Keep the plug socket, electrical appliances, and any items sensitive to heat and moisture away from the microwave's vents.

Mounting the Top Microwave:

You may mount a second microwave (see Figure 2).

Warning: Do not stack more than two microwaves.

1. Remove the mounting plates (A).
2. Remove the four (4) side screws (B).
3. Align the microwave and attach the mounting plates with the four screws from step 2 (C).

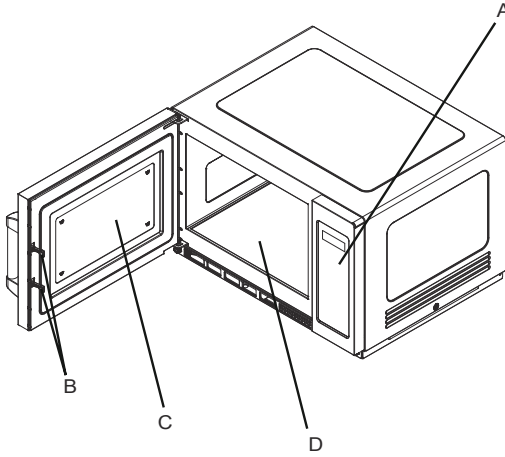


NOTE: This microwave does not vent from the top. The 12-inch space above is to let air flow from the back. When stacking two units, ensure the back vent of the lower microwave is not blocked.

Parts And Accessories

(part locations may differ between models)

Remove the microwave and all materials from the carton and microwave cavity. Your microwave comes with the following accessories:



- A) Control Panel
- B) Safety Interlock System
- C) Observation Window
- D) Ceramic Board

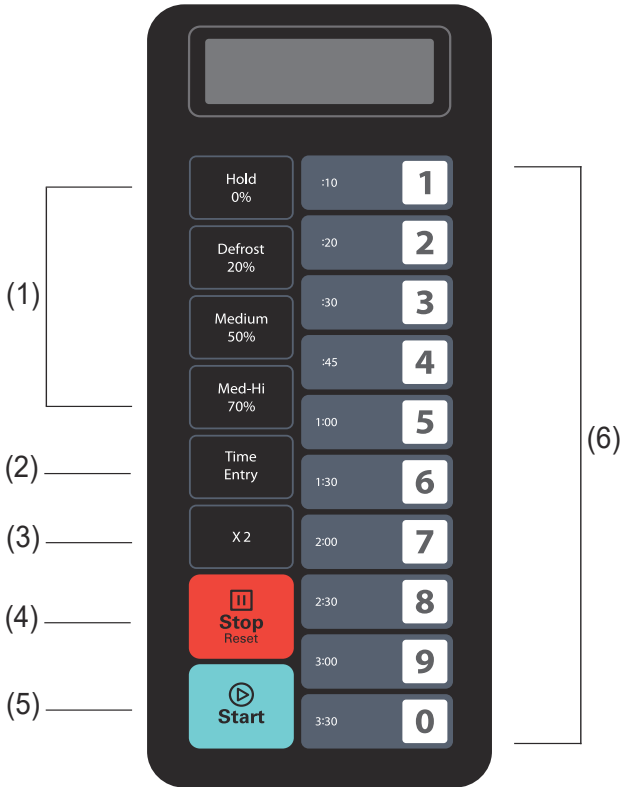
Important Safety Guidelines for Ceramic Board Use

1. Avoid pressing the ceramic board with excessive force.
2. Gently place and remove utensils during operation to prevent damage to the ceramic board.
3. After use, refrain from touching the ceramic board with your hands to avoid the risk of burns from high temperatures.

OPERATION

Control Panel and Features:

- (1) Power Buttons
- (2) Time Entry Button
- (3) Double Quantity Button
- (4) Stop/Reset Button
- (5) Start Button
- (6) Number Keyboard



The microwave will be shipped with the following preset cook times.

| Button | Display (Time) | Power | Cook Factor |
|--------|----------------|-------|-------------|
| 1 | 0:10 | 100% | 80% |
| 2 | 0:20 | 100% | 80% |
| 3 | 0:30 | 100% | 80% |
| 4 | 0:45 | 100% | 80% |
| 5 | 1:00 | 100% | 80% |
| 6 | 1:30 | 100% | 80% |
| 7 | 2:00 | 100% | 80% |
| 8 | 2:30 | 100% | 80% |
| 9 | 3:00 | 100% | 80% |
| 0 | 3:30 | 100% | 80% |

Program Settings

| SETTING | OPTION | DESCRIPTION |
|---------------------------|---------------|--|
| 1 End Of Cycle Beep | OP:10 | 3 second beep |
| | OP:11 | Continuous beep until door opens |
| | OP:12 | 5 repeating beeps until door opens |
| 2 Beep Volume | OP:20 | No beep |
| | OP:21 | Low Volume |
| | OP: 22 | Medium Volume |
| | OP:23 | High Volume |
| 3 Key Pad Beep | OP:30 | No beeping for key pad |
| | OP:31 | Enables beeping for the keypad |
| 4 Display Window | OP:40 | 15 seconds |
| | OP:41 | 30 seconds |
| | OP:42 | 1 minute |
| | OP:43 | 2 minutes |
| 5 On the Fly | OP:50 | On-the-Fly Disable |
| | OP:51 | On the Fly Enabled |
| 6 Door Reset | OP:60 | Door Reset Disabled |
| | OP:61 | Door Reset Enabled |
| 7 Max Time | OP:70 | 60 Minute Max. Cook Time |
| | OP:71 | 10 Minute Maximum Cook Time |
| 8 Programming | OP:80 | Manual Programming Disabled |
| | OP:81 | Manual Programming Enabled |
| 9 Double Digit | OP:90 | Single Digit Mode - 10 Programs |
| | OP:91 | Double Digit Mode-100 programs |

Factory Settings in Bold

1. Start Up

The start up display “-----” will appear when the microwave is powered on for the first time. The microwave will enter idle mode when the [Stop/Reset] button is pressed.

Note: In Idle Mode, no buttons can be pressed.

2. Idle Mode

- a. The microwave will automatically enter **Idle Mode** after a set period of inactivity (no button presses or door activity) while in **Ready Mode**. The duration for this timeout can be adjusted in **User Option 4**.
- b. While in **Idle Mode**, the display will show “ECO”
- c. Opening and closing the microwave door will exit **Idle Mode** and return the microwave to **Ready Mode**.

3. Ready Mode

- a. In **Ready Mode**, the microwave is prepared to start either a manual or preset cooking cycle.
- b. Opening and closing the door while in **Idle Mode** will switch the microwave to **Ready Mode**.
- c. While in **Ready Mode**, the display will show “READY.”
- d. From **Ready Mode**, the microwave can transition to most other modes.

4. Door Open Mode

- a. When the door is open, the microwave enters **Door Open Mode**.
- b. The display shows "DOOR OPEN," and the fan and light stay on.
- c. If the door is closed and **User Option OP:60** is selected during a cooking cycle, the microwave will pause. Otherwise, it will return to **Door Open Mode**. With **User Option OP:61**, opening and closing the door will clear the current cooking program.
- d. When the door is opened during cooking, "DOOR OPEN" will briefly appear, then the remaining cooking time will display.

5. Pause Mode

- a. **Pause Mode** allows users to temporarily stop the cooking cycle to inspect or stir the food.
- b. In **Manual Cook Mode** or **Preset Program Cook Mode**, the microwave will enter **Pause Mode** if the door is opened and closed or if the [**Stop/Reset**] button is pressed.
- c. While paused, the display will show the remaining cooking time.
- d. **Pause Mode** will return to **Idle Mode** based on **User Option 4**, similar to how **Ready Mode** transitions. Pressing the [**Stop/Reset**] button will immediately return the microwave to **Ready Mode**. Pressing the [**Start**] button will resume the cooking cycle.

6. Manual Cook Entry Mode

- a. In **Manual Cook Entry Mode**, the user can manually enter a cooking time and power level.
- b. While in **Ready Mode**, press the "Time Entry" buttons to activate **Manual Cook Entry Mode**.
- c. The display will show "00:00"; input the desired cooking time.
- d. Press any **Power Button** to select a power level. The display will show the selected power setting. Press the same **Power Button** twice to set the microwave to full power. If no power level is selected, full power will be the default.
- e. Once the settings are complete, press the [**Start**] button to begin cooking, or press the [**Stop/Reset**] button to return to **Ready Mode**.

7. Manual Cook Mode

- a. **Manual Cook Mode** allows you to cook food. Press the [**Start**] button in **Manual Cook Entry Mode** to begin.
- b. During cooking, the remaining time will be displayed, and the fan and microwave light will turn on.
- c. Once the cooking cycle is complete, the microwave will enter **End of Cook Cycle Mode**. If the [**Stop/Reset**] button is pressed during cooking, the microwave will switch to **Pause Mode**.

8. End of Cook Cycle Mode

- a. After the cooking time expires in **Manual Cook Mode** or **Preset Program Cook Mode**, the microwave will enter **End of Cook Cycle Mode**.
- b. During this mode, the display will show "DONE."
- c. The microwave will behave as follows based on the selected User Option:
 - **User Option OP:11:** The microwave will continue to sound until the user opens and closes the door or presses the [**Stop/Reset**] button.
 - **User Option OP:12:** The microwave will emit five quick beeps repeatedly until the user opens and closes the door or presses the [**Stop/Reset**] button.
 - **User Option OP:10:** After a three-second beep, the display will show "DONE" followed by "READY." If there is no further interaction, the microwave will eventually enter **Idle Mode**.

9. Preset Program Cook Mode

- a. **Preset Program Mode** allows for cooking food items with a single key press. While in **Ready Mode**, pressing one of the digit keys will start the associated Preset Program.
- b. During cooking, the display will show the remaining time. For multi-stage cooking, the total remaining time will not reflect the time for each specific stage.
- c. Once the cooking cycle is complete, the microwave will enter **End of Cook Cycle Mode**. If the [**Stop/Reset**] button is pressed during this mode, the microwave will switch to **Pause Mode**.

10. On the Fly Cooking Mode

- a. While the microwave is cooking, if **User Option OP:51** is selected, pressing the number buttons will automatically start the associated preset cooking program.
- b. The display will show the remaining cooking time.
- c. When the cooking program is complete, the microwave will enter **End of Cook Cycle Mode**.

11. Programming Mode

This mode allows the user to assign cook times and power levels to the once-touch button.

- a. Open the door and press and hold the "1" button for 5 seconds to enter **Programming Mode**. The buzzer will sound, and "PROGRAM" will display.
- b. Press any number from 0 to 9 to view the saved cooking time.
- c. To change the cooking factor, press [X2] and adjust the factor (default is 80% or "CF:08"). Press [Start] to save or skip if no change is needed.
- d. Enter the desired cooking time using the number keys.
- e. Press any **Power Button** to set the power level. Pressing the same button twice will set the power to 100%. If no power level is selected, 100% will be the default.

Note: Set the time first, then choose the power level.

- f. Press [Start] to save the cooking program. "PROGRAM" will display.
- g. If the cooking time exceeds the maximum limit, pressing [Start] will cause the buzzer to sound three times, and the time will remain unchanged.
- h. Close the door to return to **Ready Mode**. If the [Stop/Reset] button is pressed during setup, the microwave will enter **Door Open Mode** and any unsaved programs will be lost. If a program is saved, pressing the corresponding number button will start it. If no program is saved, the buzzer will sound and the microwave will not respond.

Setting Program Example:

- Power level: 70%
- Cooking time: 1 minute and 25 seconds

Step 1: Open the door, press the number button "1" for 5 seconds. "PROGRAM" will display.

Step 2: Press the number button "3"; the display will show "P:03." After two seconds, it will show the related time ":30."

Step 3: Press the number buttons "1", "2", then "5" to input the cooking time.

Step 4: Press the [Med-Hi 70%] button; the display will show "1:25 70" indicating the setting is complete.

Step 5: Press the [Start] button to save. Next time you use the program, just press "3" and the related program will start.

Note:

- If there is a power interruption, the saved program will not be lost.
- To reset the program, simply repeat the above steps.
- If [Stop/Reset] button is pressed at the last step, the microwave will return to **Door Open Mode**, and the settings will be invalid.

12. Double Quantity Cooking

The user can easily double the cooking time for a specific food item by pressing the [X2] button.

- a. Pressing the [X2] button in **Ready Mode** before starting a Preset Program, or within 5 seconds of starting, will double the preset cooking time.
- b. Pressing [X2] will display "DOUBLE." When you press a number button, the screen will show the doubled preset time.

Example: If pressing "5" starts a preset time of 1 minute, pressing [X2] will change it to 1:48 (1 minute + 80%).

- c. When the cooking program is complete, the microwave will enter **End of Cook Cycle Mode**.

13. Stage Cooking Programming

This feature allows users to cook food items in both **Manual Cook Mode** and **Programming Mode**.

1. Up to three stages can be set in either mode. After setting the power and time for the first stage, press [Time Entry] to set the second stage, and repeat the process for the third stage.
2. While setting the second and third stages, pressing [Time Entry] will display "STAGE-2" and "STAGE-3," respectively.
3. Press the [Start] button to begin cooking.

Example: In **Programming Mode**, to set two cooking stages:

- The first stage is 70% power for 1 minute and 25 seconds
- The second stage is 50% power for 5 minutes and 40 seconds

Steps:

- a. Open the door and press the number button "1" for 5 seconds; "PROGRAM" will display.
- b. Press the number button "3"; the screen will show "P:03." After two seconds, the display will show the related time ":30."
- c. Press "1", "2", then "5" to input the cooking time; "1:25" will display.
- d. Press [Med-Hi 70%]; the display will show "1:25 70."
- e. Press [Time Entry]; "STAGE-2" will display.
- f. Press "5", "4", then "0"; "5:40" will display.
- g. Press [Medium 50%]; the display will show "5:40 50," indicating the second stage is set.
- h. Press the [Start] button to save the program.

14. User Option Mode

This mode allows the user to select different operational settings for the microwave.

- a. Open the microwave door and press and hold the "2" button for 5 seconds. The buzzer will sound once, indicating entry into **User Option Mode**.
- b. The screen will display "OP: - -"
- c. Press any number button to access the corresponding mode setting.

Example: To set the buzzer volume to medium, press "2" and "OP:22" will display. If you want to adjust it further, continue pressing "2"; the screen will cycle through "OP:20," "OP:21," "OP:22," "OP:23," and back to "OP:20."

- d. Press the [**Start**] button to save the current setting. After saving, "OP: - -" will display again.
- e. During the setting process, pressing the [**Stop/Reset**] button will exit to **Door Open Mode**. Closing the door will return the microwave to **Ready Mode**.
- f. If the [**Start**] button is not pressed, the program will not be saved, and the microwave will revert to the previous setting.

15. Factory-Default Setting

In Ready Mode, press the [**Start**] button followed by "0" to restore factory-default settings.

1. Press the [**Start**] button, then press "0." The buzzer will sound once.
 - **If the microwave is in factory-default settings:** The screen will display "CHECK," followed by "11" after three seconds, indicating the microwave has returned to **Ready Mode**.
 - **If it is not in factory-default settings:** The screen will show "00" Pressing the [**Start**] button will initiate the factory-default setting, and the display will show "CLEAR." The buzzer will sound once, and after self-testing, the screen will display either "11" or "00".
2. If the [**Start**] button is not pressed when "00" is displayed, the reset will be canceled after 10 seconds.

Note: Use caution when operating this function, as it will restore all settings to their factory defaults.

MAINTENANCE

Cleaning Instructions

Always keep the microwave clean

1. **Cleaning the Glass Viewing Window, Inner Door Panel, and Front Face**

To ensure optimal performance and safety, keep the inner door panel and microwave front face free of food and grease buildup. Wipe these surfaces with a mild detergent, then rinse and dry. Avoid using abrasive powders or pads.

2. **Cleaning the Control Panel and Plastic Parts**

Do not apply detergent or alkaline liquid sprays to the control panel and plastic components, as this may cause damage. Instead, use a dry cloth (not soaked) to clean these areas.

3. **Cleaning the Microwave's Interior**

After use, promptly clean up any spilled liquids, oil splatters, and food debris. Using the microwave while dirty can reduce efficiency and cause odors. Clean the interior with a cloth soaked in lukewarm water mixed with mild detergent, then rinse with a damp cloth to remove any soap residue.

4. **Cleaning the Splash Shield Cover**

Regularly check and clear the oil blockage to prevent stains from dripping onto food.

5. **Cleaning the Filter**

Keep the filter clear by cleaning it regularly. A blocked filter can cause the appliance to overheat.

6. **Correct Installation of Splash Shield Cover and Filter**

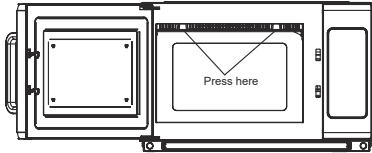
Ensure the splash shield cover and filter are properly positioned during operation to avoid damaging other components.

CAUTION: Avoid using bleach, thinners, or other harsh cleaning agents on the plastic and painted sections of the microwave, as these substances may cause damage or alter the surface.

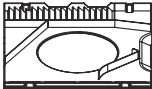
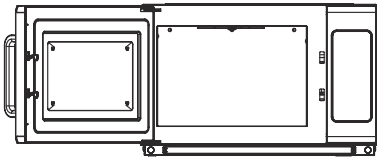


Warning: Before removing or installing the splash shield cover and filter, make sure the appliance is unplugged to prevent electric shock and avoid burns from high temperatures.

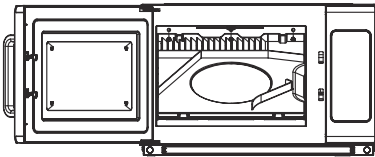
How to Clean the Splash Shield Cover:



1. Press on the clips and pull down to remove the splash shield

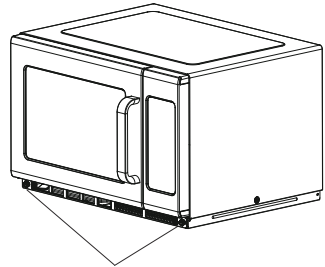


2. Wipe off any grease or food residue.

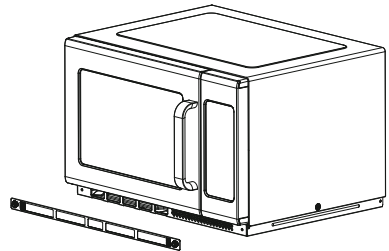


3. Align the splash shield back in its original position and snap it back into place by pressing upward.

How to Clean the Filter:



1. Remove the screws to detach the filter.



2. Clean the filter, then reinstall it.

TROUBLESHOOTING

Refer to the chart below to identify your issue and try the suggested solutions. If the microwave continues to malfunction, please contact our service technicians.

| TROUBLE | POSSIBLE CAUSE | POSSIBLE REMEDY |
|--------------------------|---|--|
| Microwave will not start | <ul style="list-style-type: none"> a. Electrical cord for microwave is not plugged in. b. Door is open. c. Wrong operation is set. | <ul style="list-style-type: none"> a. Plug into the outlet. b. Close the door and try again. c. Check instructions. |
| Arcing or sparking | <ul style="list-style-type: none"> a. Materials to be avoided in microwave were used. b. The microwave is operated when empty. c. Spilled food remains in the cavity. | <ul style="list-style-type: none"> a. Use microwave-safe cookware only. b. Do NOT operate while empty. c. Clean cavity with wet towel. |
| Unevenly cooked foods | <ul style="list-style-type: none"> a. Materials to be avoided in microwave were used. b. Food is not defrosted completely. c. Cooking time, power level is not suitable. d. Food is not turned or stirred. | <ul style="list-style-type: none"> a. Use microwave-safe cookware only. b. Completely defrost food. c. Use correct cooking time, power level. d. Turn or stir food. |
| Overcooked foods | Cooking time, power level is not suitable. | Use correct cooking time, power level. |
| Undercooked foods | <ul style="list-style-type: none"> a. Materials not suitable for microwave use were used. b. Food is not defrosted completely. c. The ventilation ports are restricted. d. Cooking time, power level is not suitable. | <ul style="list-style-type: none"> a. Use microwave-safe cookware only. b. Completely defrost food. c. Check to see that the ventilation ports are not restricted. d. Use correct cooking time, power level. |
| Improper defrosting | <ul style="list-style-type: none"> a. Materials not suitable for microwave use were used. b. Cooking time, power level is not suitable. c. Food is not turned or stirred. | <ul style="list-style-type: none"> a. Use microwave-safe cookware only. b. Use correct cooking time, power level. c. Turn or stir food. |

If you have checked the table above and find that you still need help with your appliance, call our Customer Service facility at **800-932-4267** (Ext. **513**) between 9:00 AM and 5:00 PM ET or visit **www.summitappliance.com/support**. We will do our best to answer your questions.

NOTES

LIMITED WARRANTY

90-DAY LIMITED WARRANTY

Within the 48 contiguous United States, for 90 days from the date of purchase, when this appliance is operated and maintained according to instructions attached to or furnished with the product, warrantor will pay for factory-specified parts and repair labor to correct defects in materials or workmanship. Service must be provided by a designated service company. Outside the 48 states, all parts are warranted for 90 days from manufacturing defects. Plastic parts, shelves and cabinets are warranted to be manufactured to commercially acceptable standards, and are not covered from damage during handling or breakage.

ITEMS WARRANTOR WILL NOT PAY FOR:

1. Service calls to correct the installation of your appliance, to instruct you on how to use your appliance, to replace or repair fuses or to correct wiring or plumbing.
2. Service calls to repair or replace appliance light bulbs or broken shelves. Consumable parts (such as filters) are excluded from warranty coverage.
3. Damage resulting from accident, alteration, misuse, abuse, fire, flood, acts of God, improper installation, installation not in accordance with electrical or plumbing codes, or use of products not approved by warrantor.
4. Replacement parts or repair labor costs for units operated outside the United States.
5. Repairs to parts or systems resulting from unauthorized modifications made to the appliance.
6. The removal and reinstallation of your appliance if it is installed in an inaccessible location or is not installed in accordance with published installation instructions.

DISCLAIMER OF IMPLIED WARRANTIES; LIMITATION OF REMEDIES

CUSTOMER'S SOLE AND EXCLUSIVE REMEDY UNDER THIS LIMITED WARRANTY SHALL BE PRODUCT REPAIR AS PROVIDED HEREIN. IMPLIED WARRANTIES, INCLUDING WARRANTIES OF MERCHANTABILITY OR FITNESS FOR A PARTICULAR PURPOSE, ARE LIMITED TO 90 DAYS. WARRANTOR SHALL NOT BE LIABLE FOR INCIDENTAL OR CONSEQUENTIAL DAMAGES. SOME STATES DO NOT ALLOW THE EXCLUSION OR LIMITATION OF INCIDENTAL OR CONSEQUENTIAL DAMAGES, OR LIMITATIONS ON THE DURATION OF IMPLIED WARRANTIES OF MERCHANTABILITY OR FITNESS, SO THESE EXCLUSIONS OR LIMITATIONS MAY NOT APPLY TO YOU. THIS WARRANTY GIVES YOU SPECIFIC LEGAL RIGHTS AND YOU MAY ALSO HAVE OTHER RIGHTS, WHICH VARY FROM STATE TO STATE.



WARNING: This product can expose you to chemicals including Nickel (Metallic) which is known to the State of California to cause cancer.

For more information go to www.P65Warnings.ca.gov

Note: Nickel is a component in all stainless steel and some other metallic compositions.

Summit Appliance
Division of Felix Storch, Inc.
An ISO 9001:2015 registered company
770 Garrison Avenue
Bronx, NY 10474
www.summitappliance.com

SUMMIT
C O M M E R C I A L

For parts and accessory ordering,
troubleshooting and helpful hints, visit:
www.summitappliance.com/support

Revised: 2025-06-23
Printed in China