

### Standard Exterior Features

- 60-3/4" wide open top with stainless steel front, sides and removable shelf.
- 28,000 BTU NAT (24,000 BTU LP) **PATENTED**, one-piece cast iron, non-clog burners with Lifetime Warranty.
- Stainless steel front, sides and removable shelf.
- 1/2" smooth, polished steel griddle plate with raised sides on 24" and 36" wide griddles [available in manual or thermostatic, left (L) or right (R)]
- 1" smooth, polished steel griddle plate with raised sides on 48" wide griddles
- 4" Stainless steel front rail with closed, welded end caps
- Individual, removable cast iron grate tops (rear holds up to 14" stock pot).
- Two (2) removable, one-piece crumb drawer under burners
- Metal knobs w/ red stripe
- Hinged, lower valve panel
- Quadrant spring doors with ergonomic chrome handle
- 6" stainless steel, adjustable legs
- Factory installed pressure regulator

### Standard Oven Features (D)

- 35,000 BTU space saver oven with snap action thermostat adjustable for 175°F to 550°F
- U-shaped heavy duty oven burner
- Equipped with flame failure safety device
- Large 26" wide X 26-1/2" deep oven with all oven cavity parts enameled
- Four sides and top of oven insulated with heavy, self-supporting block type rock wool with oven baffle assembly
- 2-position rack guides with one removable rack

### Convection Oven Features (A)

- 35,000 BTU space saver oven with snap action thermostat adjustable for 175°F to 550°F
- U-shaped heavy duty oven burner.
- Equipped with flame failure safety device
- Large 26" wide X 26-1/2" deep oven with all oven cavity parts enameled
- Four sides and top of oven insulated with heavy, self-supporting block type rock wool with oven baffle assembly
- 1/2 hp, 1710 rpm, 60 cycle, 115V AC high efficiency, permanent split phase motor.
- On/Off switch to allow CO base to operate as a standard oven.
- 5-position rack guides with two (2) removable racks

### Cabinet Base Features (C)

- Aluminized cabinet base. Optional no-charge doors that open from the center available.

- S60DD-2G/T** - 6 Burners, 24" Griddle, 2 Standard Ovens
- S60AA-2G/T** - 6 Burners, 24" Griddle, 2 Convection Ovens
- S60AD-2G/T** - 6 Burners, 24" Griddle, 1 Convection Oven, 1 Standard Oven
- S60DC-2G/T** - 6 Burners, 24" Griddle, 1 Standard Oven, 1 Cabinet
- S60AC-2G/T** - 6 Burners, 24" Griddle, 1 Convection Oven, 1 Cabinet
- S60CC-2G/T** - 6 Burners, 24" Griddle, 2 Cabinets
- S60DD-3G/T** - 4 Burners, 36" Griddle, 2 Standard Ovens
- S60AA-3G/T** - 4 Burners, 36" Griddle, 2 Convection Ovens
- S60AD-3G/T** - 4 Burners, 36" Griddle, 1 Convection Oven, 1 Standard Oven
- S60DC-3G/T** - 4 Burners, 36" Griddle, 1 Standard Oven, 1 Cabinet
- S60AC-3G/T** - 4 Burners, 36" Griddle, 1 Convection Oven, 1 Cabinet
- S60CC-3G/T** - 4 Burners, 36" Griddle, 2 Cabinets
- S60DD-4G/T** - 2 Burners, 48" Griddle, 2 Standard Ovens
- S60AA-4G/T** - 2 Burners, 48" Griddle, 2 Convection Ovens
- S60AD-4G/T** - 2 Burners, 48" Griddle, 1 Convection Oven, 1 Standard Oven
- S60DC-4G/T** - 2 Burners, 48" Griddle, 1 Standard Oven, 1 Cabinet
- S60AC-4G/T** - 2 Burners, 48" Griddle, 1 Convection Oven, 1 Cabinet
- S60CC-4G/T** - 2 Burners, 48" Griddle, 2 Cabinets

Job  
Item #



(S60DD-3GR shown)

## BIDDING SPECIFICATION

The unit shall be a 60-3/4" wide, S-Series Restaurant Range with the exterior constructed of stainless steel and shall have a 4" stainless steel front rail with closed, welded end caps. The unit shall have 6" stainless steel, adjustable legs. The unit shall come with a 22.5" high stainless steel flue riser with single shelf. The unit shall come with a factory installed regulator.

**OPEN TOP** - The unit shall have 28,000 BTU NAT (24,000 BTU LP) open top burners with individual, removable cast iron grate tops.

**2G/T** - The unit shall have a 24", smooth, polished 1/2" thick steel griddle plate with raised sides, to include three (3) 16,000 BTU burners. [specify left (L) or right (R) side]

**3G/T** - The unit shall have a 36", smooth, polished 1/2" thick steel griddle plate with raised sides, to include four (4) 16,000 BTU burners. [specify left (L) or right (R) side]

**4G/T** - The unit shall have a 48", smooth, polished 1" thick steel griddle plate with raised sides, to include five (5) 16,000 BTU burners.

**D** - The unit shall have a 35,000 BTU standard oven with snap action thermostat, adjustable from 175° F to 550° F. The interior shall be enameled and measure 26" wide X 26.5" deep X 14" high, and includes 2-position rack guides with one removable rack.

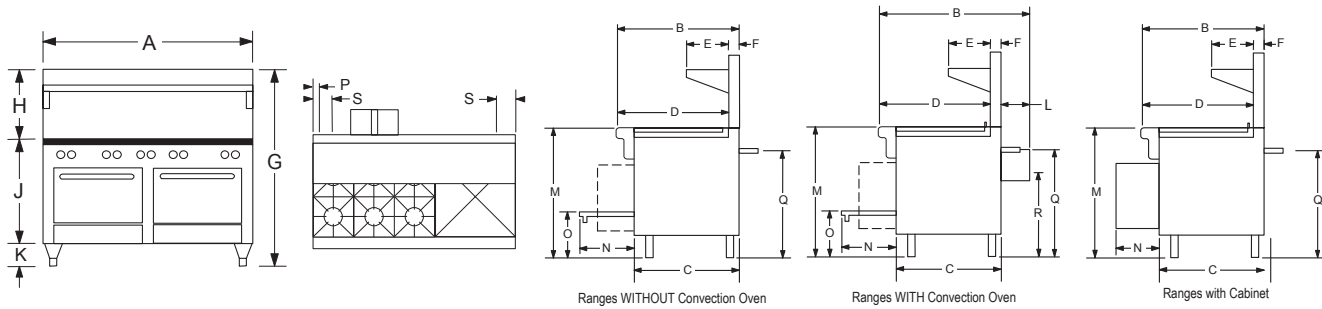
**A** - The unit shall have a 35,000 BTU convection oven with snap action thermostat, adjustable from 175° F to 550° F. The unit shall include a 1/2 hp split phase motor with on/off switch to allow CO base to operate as a standard oven. The interior shall be enameled and measure 26" wide X 24" deep X 14" high, and includes 5-position rack guides with two removable racks.

**C** - The unit shall have an aluminized cabinet base without doors. Optional, no-charge doors that open from the center available.



- Models:** S60DD-2G/T S60AA-2G/T S60AD-2G/T S60DC-2G/T S60AC-2G/T S60CC-2G/T  
S60DD-3G/T S60AA-3G/T S60AD-3G/T S60DC-3G/T S60AC-3G/T S60CC-3G/T  
S60DD-4G/T S60AA-4G/T S60AD-4G/T S60DC-4G/T S60AC-4G/T S60CC-4G/T

**Dimensions - in (mm)**



MODEL	EXTERIOR											COOK TOP	DOOR OPENING	OVEN BOTTOM	3/4" GAS CONN.		ELECTRIC	
	Width A	Depth B	C	D	E	F	G	H	J	K	L				M	N	O	P*
S60DD - 2G/T, 3G/T, 4G/T	60.75" (1543)	34.00" (864)	29.75" (756)	31.00" (787)	10.00" (254)	2.75" (70)	59.50" (1511)	22.50" (572)	31.00" (787)	6.00" (152)	-	37.00" (940)	15.50" (394)	13.00" (330)	3.25" (83)	30.25" (768)	-	-
S60AA - 2G/T, 3G/T, 4G/T	60.75" (1543)	41.75" (1060)	29.75" (756)	31.00" (787)	10.00" (254)	2.75" (70)	59.50" (1511)	22.50" (572)	31.00" (787)	6.00" (152)	8.25" (210)	37.00" (940)	15.50" (394)	13.00" (330)	3.25" (83)	30.25" (768)	24.00" (610)	6.00" (152)
S60CC - 2G/T, 3G/T, 4G/T	60.75" (1543)	34.00" (864)	29.75" (756)	31.00" (787)	10.00" (254)	2.75" (70)	59.50" (1511)	22.50" (572)	31.00" (787)	6.00" (152)	-	37.00" (940)	13.50" (343)	-	3.25" (83)	30.25" (768)	-	-

MODEL	OVEN INTERIOR			CRATE SIZE			CUBIC VOLUME	CRATED WEIGHT
	WIDTH	DEPTH	HEIGHT	WIDTH	DEPTH	HEIGHT		
S60DD - 2G/T, 3G/T, 4G/T	26.00" (660)	26.50" (673)	14.00" (356)	67.00" (1702)	45.50" (1158)	75.00" (1905)	132.3 cu. ft 3.75 cu.m.	860 lbs. 390 kg.
S60AA - 2G/T, 3G/T, 4G/T	26.00" (660)	24.00" (610)	14.00" (356)	67.00" (1702)	45.50" (1158)	75.00" (1905)	132.3 cu. ft 3.75 cu.m.	860 lbs. 390 kg.
S60CC - 2G/T, 3G/T, 4G/T	-	-	-	67.00" (1702)	45.50" (1158)	75.00" (1905)	132.3 cu. ft 3.75 cu.m.	860 lbs. 390 kg.

**NOTES:**

\*Gas convection will be located on opposite side of griddle location (if griddle is located on the left the gas connection will be moved to the right side).

**UTILITY INFORMATION**

Gas Type	BURNERS (BTU/EACH)					
	OPEN TOP BURNER	STANDARD OVEN	CONVECTION OVEN	GRIDDLE		
				24"	36"	48"
Natural	28K	35K	35K	3 @ 16K	4 @ 16K	5 @ 16K
LP	24K	35K	35K	3 @ 16K	4 @ 16K	5 @ 16K

- Each unit has a 3/4", male, rear gas connection.
- Minimum inlet pressure - Natural Gas is 7" W.C  
 - Propane Gas is 11" W.C.
- Each convection oven is standard 115/60/1 furnished with 6' cord with 3-prong plug. Total max amps is 5.9.
- Optional - 208/60/1, 50/60/1 phase. Supply must be wired to junction box with terminal block located at rear. Total max amps is 2.7.
- For installation on combustible floors (with 6" high legs or casters) and adjacent to combustible walls, allow 10" clearance.

- Check local codes for fire, installation and sanitary regulations.
- Clearance to noncombustible construction is 0" for all tops and bases.
- If using Flex-Hose, the I.D. should not be smaller than the I.D. of the manifold of the unit to which it is being connected.
- If casters are used, a restraining device should be used to eliminate undue strain on the flex hose.
- Install under vented hood.
- If the unit is connected directly to the outside flue, an A.G.A approved down draft diverter must be installed at the flue outlet of the oven.

Notice: Southbend reserves the right to change specifications and product design without notice. Such revisions do not entitle the buyer to corresponding changes, improvements, additions, or replacements for previously purchased equipment.

**OPTIONS AND ACCESSORIES**

- Casters - all swivel - front with locks
- 10" flue riser
- 3/4" quick disconnect with flexible hose - complies with ANSI Z 21.69 (Specify 3ft, 4ft or 5ft.
- Restraining device
- Extra oven racks
- Auxiliary griddle plates
- Cabinet base doors (No charge)
- Various salamander & cheesemelter mounts available (Please contact factory)

**INTENDED FOR COMMERCIAL USE ONLY.  
 NOT FOR HOUSEHOLD USE.**



1100 Old Honeycutt Road, Fuquay-Varina, NC 27526  
 (919) 762-1000 www.southbendnc.com