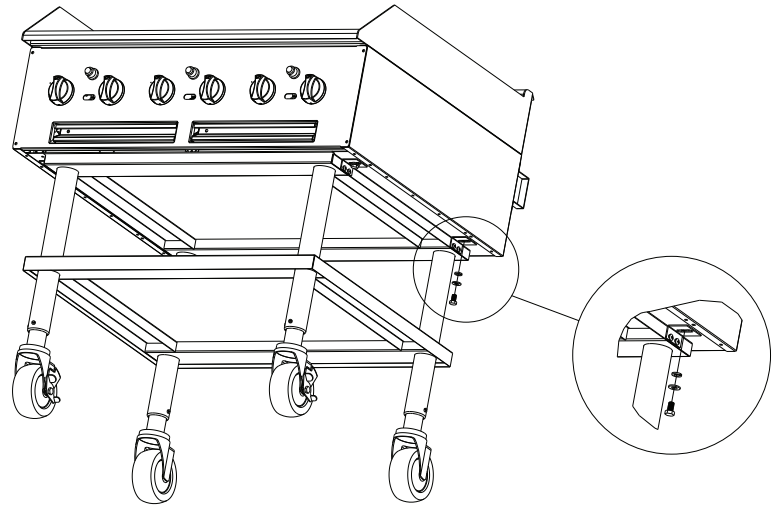


Models:
HDCS-24, HDCS-36,
HDCS-48, HDCS-60, HDCS-72

Job _____
 Item# _____

Southbend Counter Line stands use all stainless steel construction for durability and cleanability. Supported by sturdy 2" stainless steel tubular legs, these stands provide a 36" nominal cook height when matched with Southbends Counter Griddle or Flex Broiler. Southbend's unique track mounting system allows for easy drop in unit installation.



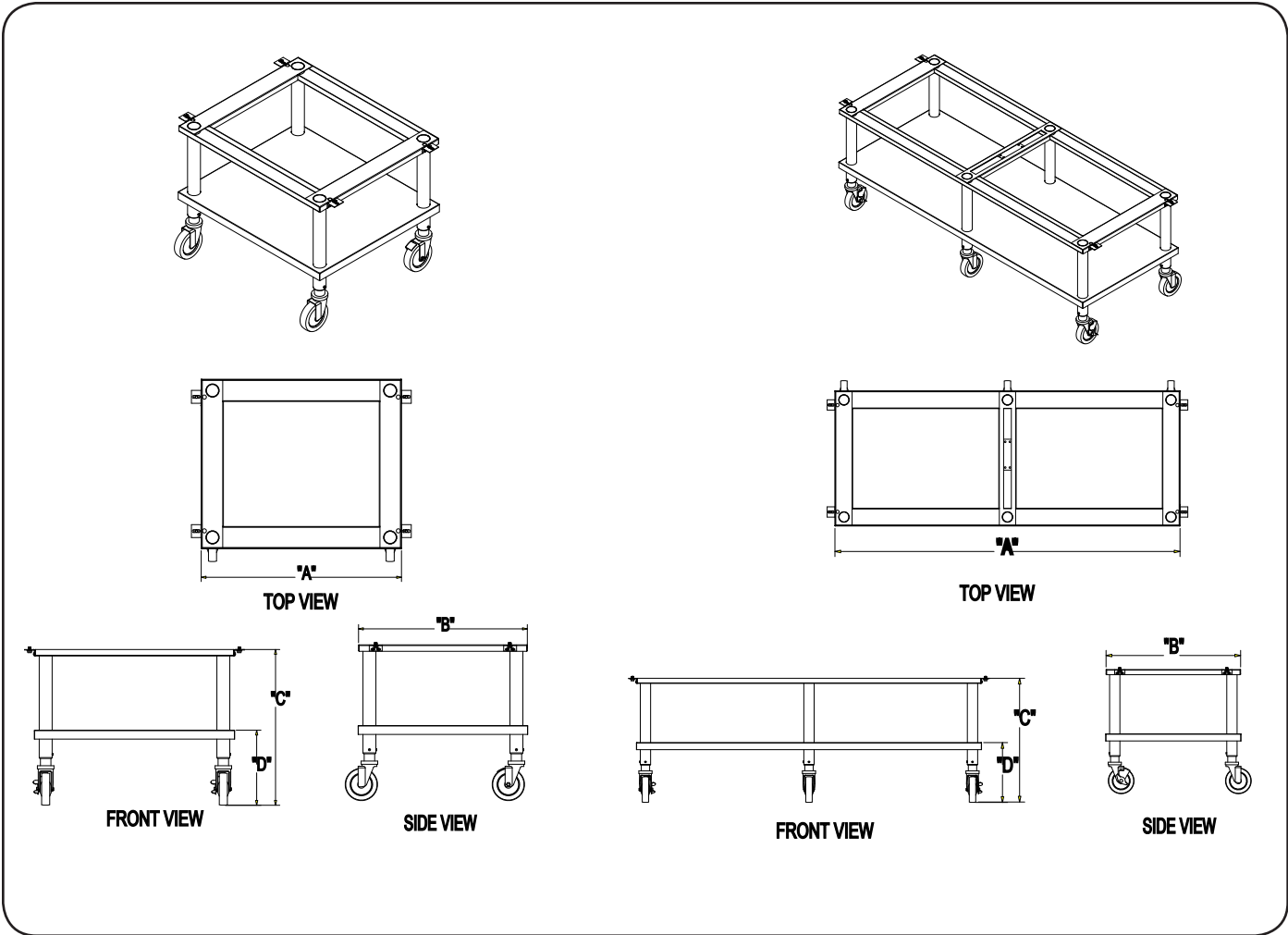
(shown with optional casters)

Standard Features

- 2" stainless steel tubular legs
- All stainless steel welded construction
- Adjustable bullet feet
- NSF listed
- Adjustable caster legs



Models: HDCS-24 HDCS-36 HDCS-48 HDCS-60 HDCS-72



MODEL NUMBER	WIDTH A	DEPTH B	HEIGHT C	SHELF D	WEIGHT
HDCS-24	19" (483)	26.25" (667)	24" (610)	11.5" (292)	36 lbs (16.3 kg)
HDCS-36	31" (787)	26.25" (667)	24" (610)	11.5" (292)	54 lbs (16.3 kg)
HDCS-48	43" (1092)	26.25" (667)	24" (610)	11.5" (292)	72 lbs (32.7 kg)
HDCS-60	55" (1397)	26.25" (667)	24" (610)	11.5" (292)	90 lbs (40.8 kg)
HDCS-72	67" (1702)	26.25" (667)	24" (610)	11.5" (292)	108 lbs (49.0 kg)

OPTIONS

Casters-front with brakes

NOTICE:

Southbend has a policy of continuous product research and improvement. We reserve the right to change specifications and product design without notice. Such revisions do not entitle the buyer to corresponding changes, improvements, additions or replacements for previously purchased equipment.

**INTENDED FOR COMMERCIAL USE ONLY.
NOT FOR HOUSEHOLD USE.**



1100 Old Honeycutt Road, Fuquay-Varina, NC 27526
(919) 762-1000 www.southbendnc.com