



# CONVECTION OVEN

## G-SERIES

### ELECTRIC, DOUBLE DECK

#### Standard Features

- Energy Star Compliant (Standard depth)
- 11kW high efficiency heating elements
- Available standard and bakery depths
- Double deck convection oven is 64.8" in height
- Patented "plug-in, plug-out" control panel - easy to service
- Slide out control panel for full view servicing
- Stainless Steel front, sides and top
- Stainless steel rear jacket
- Dependent glass doors (Full 180° opening)
- Energy saving high efficiency glass windows
- Heat keeping dual door seal system
- Coved, fastener-free, porcelain interior
- Stay cool heavy duty door handle
- Two speed, 1/2 hp, fan motor
- 11-position rack guides and 5 plated oven racks
- Solid state temperature controls
- Forced cool down fan mode
- Oven "heat" light cycles with burners
- Interior oven lights
- (1) year limited parts and labor warranty  
(reference <http://www.southbendnc.com/service.html>  
for limited warranty details)

ES/20SC, ES/20CCH  
EB/20SC, EB/20CCH



(ES20/SC shown with optional casters)

#### Available Controls

##### SC-Standard Controls

140°F to 500°F solid state thermostat and 60 minute mechanical cook timer.

##### CCH-Cycle / Cook & Hold Control

150°F to 550°F temperature controller with 140°F to 200°F "Hold" thermostat dual digital display shows time and temperature. A fan cycle timer pulses the fan.

#### STANDARD CONSTRUCTION SPECIFICATIONS

**Exterior Finish:** Stainless steel front, top, sides and rear jacket.

**Doors:** Dependent doors with windows. Low emission glass, stainless steel construction, heavy-duty welded steel frame and 5/8" diameter full-length hinge pin.

**Oven Interior:** Porcelain enamel finish, coved, fastener free.

**Rack and Rack Guides:** Heavy-duty removable wire rack guides spaced on 1-5/8" centers offer 11 different rack positions. 5 wire racks provided with each oven.

**Blower Fan and Motor:** 1/2hp, 2-speed motor, 1710/1120

**Oven Heating:** Oven heating is regulated by an adjustable solid state thermostat control. Blower fan circulates air within the cavity "scrubbing" heat to the oven interior for even heat distribution within the cavity. Manual reset high limit temperature control protects the oven from overheat condition.

**Control Panel:** Located on front, at right side of oven, away from heat zone. Slide out panel extends over 17" for easy servicing.

**Interior Lights:** Two 40 watt high temperature recessed lamps located within the oven cavity.

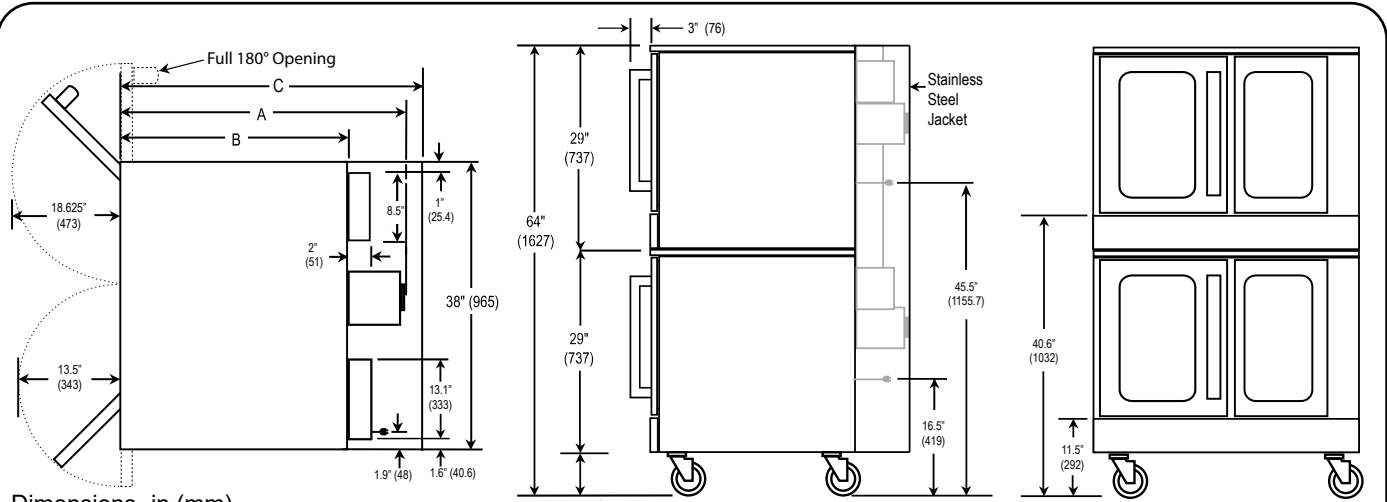
**Legs:** 6" stainless steel legs standard.

**Electrical System:** Terminal connections are located below oven section and are accessible from the front of the oven. These sheath type electrical heating elements located at the rear of the oven function as a single heating unit with a combined rating of 11 kW per deck. Available voltages include 208, 240, 380, and 480 VAC single or three phase, 50/60 Hz. Ovens equipped with 480VAC single or three phase heating elements use 240V controls and motors and do not require separate electrical lead wires.

Job \_\_\_\_\_  
Item# \_\_\_\_\_



Models:     ES/20SC     EB/20SC     ES/20CCH     EB/20CCH



Dimensions -in (mm)

| MODEL | DEPTH            |                 |                  | OVEN INTERIOR |                |              | RACK CLEARANCE  |                 | SHIPPING CRATE   |                 |                  |                                |                         |
|-------|------------------|-----------------|------------------|---------------|----------------|--------------|-----------------|-----------------|------------------|-----------------|------------------|--------------------------------|-------------------------|
|       | A                | B               | C                | WIDTH         | DEPTH          | HEIGHT       | WIDTH           | DEPTH           | WIDTH            | DEPTH           | HEIGHT           | VOLUME                         | WEIGHT                  |
| ES/20 | 37.25"<br>(946)  | 30.25"<br>(768) | 39.25"<br>(997)  | 29"<br>(737)  | 21.5"<br>(546) | 20"<br>(508) | 28.25"<br>(718) | 21"<br>(533)    | 57.50"<br>(1461) | 45.5"<br>(1156) | 81.50"<br>(2070) | 123.4 cu. ft.<br>(3.49 cu. m.) | 1040 lbs<br>(471.7 kg.) |
| EB/20 | 43.50"<br>(1146) | 36.50"<br>(924) | 45.75"<br>(1162) | 29"<br>(737)  | 29"<br>(737)   | 20"<br>(508) | 28.25"<br>(718) | 27.25"<br>(692) | 57.50"<br>(1397) | 45.5"<br>(1156) | 81.5"<br>(2070)  | 123.4 cu. ft.<br>(3.49 cu. m.) | 1180 lbs<br>(535.2 kg.) |

### UTILITY INFORMATION

**Standard:** 1/2 horseposer, 2 speed motor, 1710/1120 r. p. m. per deck.

| ELECTRICAL DATA  |                   | AMPS PER LINE |         |    |    |       |
|--|-------------------|---------------|---------|----|----|-------|
| EACH OVEN  | VOLTAGE           | 1 PHASE       | 3 PHASE |    |    |       |
|  |                   |               | X       | Y  | Z  | NEUT. |
| 12 kW Heating Elements and Controls<br>(11kW for Heating Elements, 1kW for Controls) | 208 VAC, 60Hz     | 58            | 34      | 34 | 31 | 0     |
|  | 220/240 VAC, 50Hz | 46            | 28      | 28 | 24 | 0     |
|  | 240 VAC, 60Hz     | 50            | 30      | 30 | 26 | 0     |
|  | 380/220 VAC, 50Hz | 32            | 17      | 17 | 21 | 4     |
|  | 415/240 VAC, 50Hz | 50            | 15      | 15 | 19 | 4     |
| 480 VAC, 60Hz  | 25                | 14            | 14      | 13 | 0  |       |

\* Electric units available for single or three phase operation and must be specified upon ordering.

### MISCELLANEOUS

- Clearances from combustibles: Top, bottom, right, left side -0".
- Recommended - install under vented hood.
- Check local codes for fire and sanitary regulations.

#### NOTICE:

Southbend has a policy of continuous product research and improvement. We reserve the right to change specifications and product design without notice. Such revisions do not entitle the buyer to corresponding changes, improvements, additions or replacements for previously purchased equipment.

### OPTIONS AND ACCESSORIES

- List the voltage, frequency, and amps (see utility information above).  
    \_\_\_VAC, \_\_\_Phase, \_\_\_Hz
- Marine edge top
- Export crating
- Stainless Steel exterior bottom
- Swivel Caster - front with locks
- Stainless steel dirt tray
- Casters 4" or 6"
- Down draft diverter for direct flue
- Stainless steel doors

**INTENDED FOR COMMERCIAL USE ONLY.  
NOT FOR HOUSEHOLD USE.**



1100 Old Honeycutt Road, Fuquay-Varina, NC 27526  
(919) 762-1000 www.southbendnc.com