



YOU CAN TRUST

WARMING SHELVES

PQV-04



PQV-04

Vetro Warming Shelf

STANDARD FEATURES

The Tomasi Pqv-04 Vetro Warming Shelf is a medium-sized countertop unit ideal for hotels, restaurants, country clubs, and catering events. Its robust yet sleek design provide durability while elevating steam pan presentation. Built with a stainless steel base with black enamel finish and a black tempered glass warming surface for both strength and a sophisticated look.

Large warming surface 24" wide by 16" deep accommodates one full-size, two half-size, or three third-size pans. Digital temperature control precisely displays desired temperature. Capillary thermostat maintains consistent temperatures between 212 and 302 degrees Fahrenheit and guarantees even heat distribution to the entire warming surface.

ILLUSTRATIVE PHOTO, ACTUAL PRODUCTS AND ACCESSORIES ARE SUBJECT TO CHANGE WITHOUT NOTICE.



Skyfood Equipment LLC
175 SW 7th Street, Ste 2416
Miami, FL 33130

Toll Free:
1-800-503-7534
sales@skyfood.us

www.skyfood.us



Follow us to keep up to date with the latest news and offers

/SkyfoodEquipment

/SkyfoodEquipment

/SkyfoodEquipment



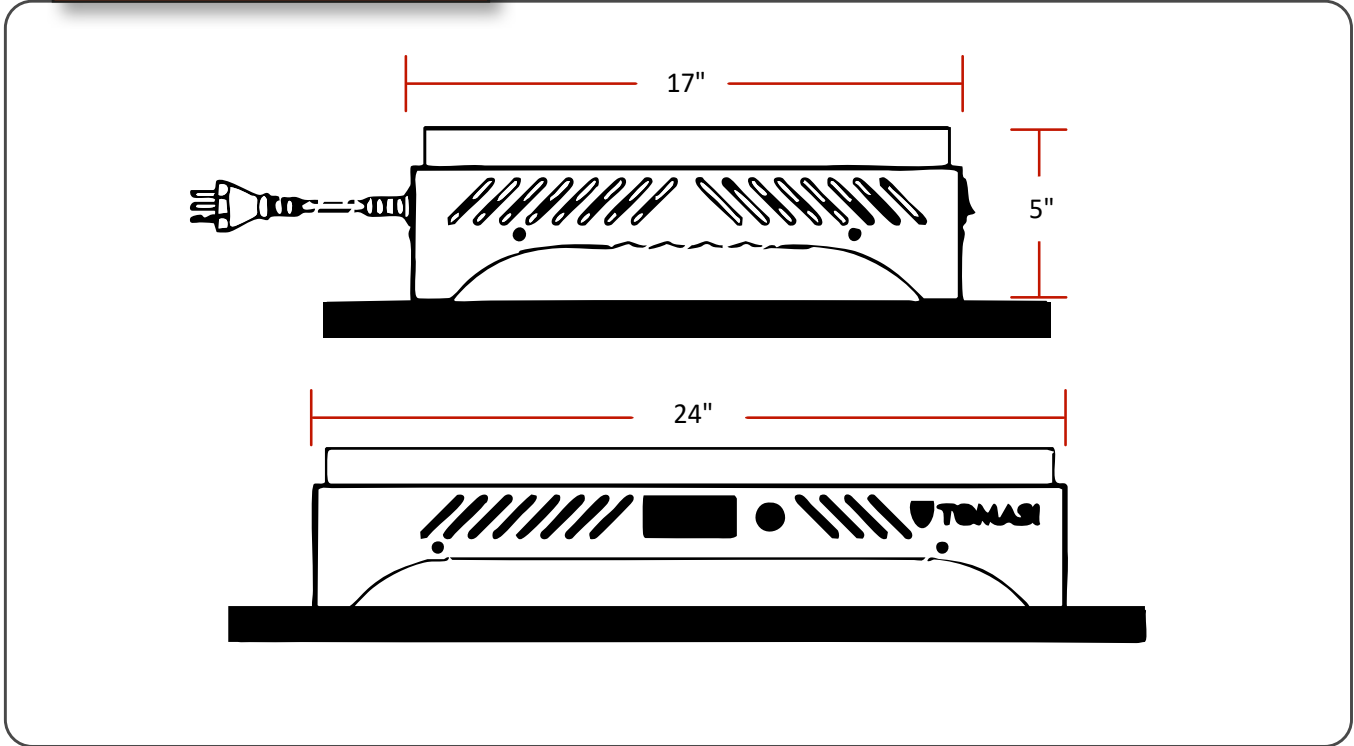
YOU CAN TRUST

WARMING SHELVES

PQV-04



DIMENSIONS



WARRANTY 01 YEAR PARTS AND LABOR VALID IN THE CONTINENTAL UNITED STATES.



Item	Electrical	Electric Current	Dimensions (W x D x H)	Weight (Net/Ship)	Power	Warning Surface	Average Consumption	Temperature Range	PLUG
PQV-04	110V/60Hz	4.6 A	24" x 17" x 5"	58 lb / 69 lb	500 W	23.6" x 5.7"	200 W/h	212 - 302F	NEMA 5-15P

ILLUSTRATIVE PHOTO, ACTUAL PRODUCTS AND ACCESSORIES ARE SUBJECT TO CHANGE WITHOUT NOTICE.



Skyfood Equipment LLC
175 SW 7th Street, Ste 2416
Miami, FL 33130

Toll Free:
1-800-503-7534
sales@skyfood.us

www.skyfood.us



Follow us to keep up to date with the latest news and offers [/SkyfoodEquipment](#) [/SkyfoodEquipment](#) [/SkyfoodEquipment](#)