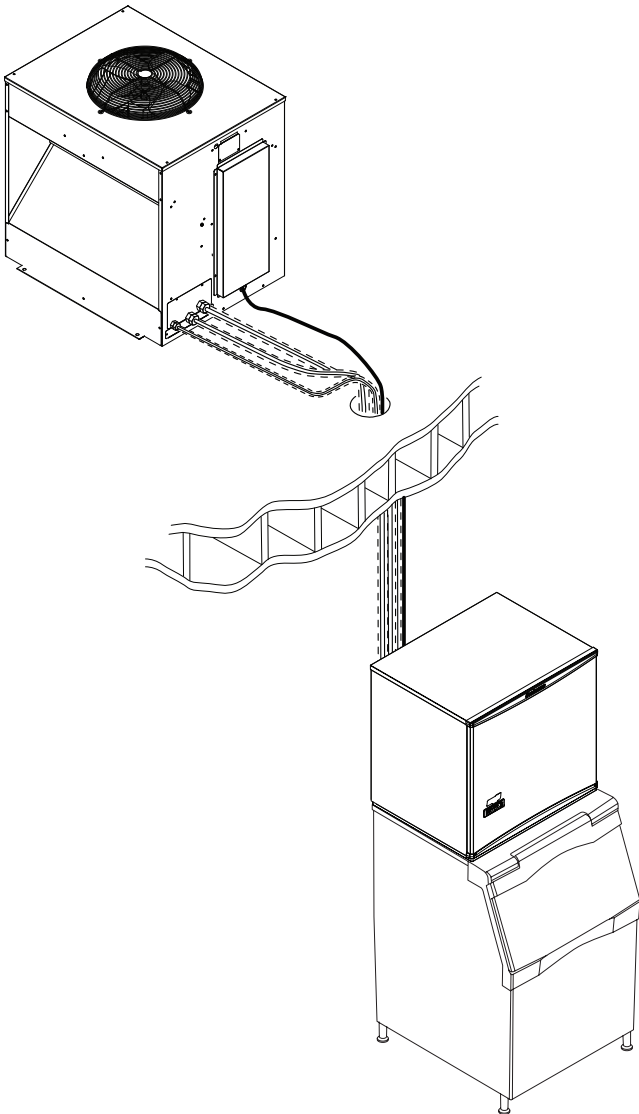




Installation and User Manual for
Eclipse Cuber

Prodigy Plus E Series models EH330 E and
EH430 E, with ECC Condensing Unit ECC1200,
ECC1410, ECC1800



EH330, EH430 E and ECC Condensing Unit Remote Low Side Cuber User Manual

Introduction:

This manual covers the assembly, installation, start up, operation and maintenance of the 1200, 1400 and 1800 remote low side cuber systems.

Contents

Configuration	Page 2
Technical Specifications	Page 3
Cabinet Drawings, EH330 Ice Making Head	Page 4
Cabinet Drawings, EH430 Ice Making Head	Page 5
Cabinet Drawings, ECC Condensing Unit	Page 6
Pre-Installation Details	Page 7
Create the System	Page 8
System Example	Page 9
Place Remote System	Page 10
Tubing	Page 11
Place Ice Making Head	Page 12
Condensing Unit Electrical	Page 13
Water and Drain	Page 14
Connect Refrigeration	Page 15
Complete the Installation	Page 16
Reference for Start Up: Controller Operation	Page 17
Initial Start Up	Page 18
Ice Thickness and Water Purge Adjustment	Page 19
Cleaning, Sanitation and Maintenance	Page 20
Operational Characteristics 1200 lb system	Page 22
Operational Characteristics 1800 lb system	Page 23
What to do before calling for service:	Page 24
EH330 or EH430 Schematic Diagram	Page 25
EH330 or EH430 Wiring Diagram	Page 26
ECC 3 Phase Schematic Diagram	Page 27
ECC 3 Phase Wiring Diagram	Page 28
ECC 1 Phase Schematic Diagram	Page 29
ECC 1 Phase Wiring Diagram	Page 30

EH330, EH430 E and ECC Condensing Unit Remote Low Side Cuber User Manual Configuration

A remote low side cuber system includes two sub systems: an ice head section and a remote condensing unit. Additionally, there are several models of each sub-system and this manual covers all of them.

The ice making sections are designed for use indoors in a controlled environment. The remote condensing units are designed to operate outdoors. Each sub-system has limits for power, water and temperature.

Operational Limitations:

	Minimum	Maximum
Air Temp (IH)	50°F	100°F.
Air Temp (CU)	-20°F.	120°F.
Water Temp	40°F.	100°F.
Water Pressure	20 psi	80 psi
Water Conductivity	10 microSiemens/cm	
Voltage (IH)	104	126
Voltage (CU)	198	253

IH = Ice Head, CU= Condensing Unit

Do Not operate the machine in conditions beyond these limitations. Doing so will void the warranty.

Scotsman ice systems are designed and manufactured with the highest regard for safety and performance. They meet or exceed the standards of UL and NSF.

Scotsman assumes no liability of responsibility of any kind for products manufactured by Scotsman that have been altered in any way, including the use of any part and/or other components not specifically approved by Scotsman.

Scotsman reserves the right to make design changes and/or improvements at any time. Specifications and design are subject to change without notice.

System Information

Prodigy Eclipse System Size	Condensing Unit (CU)		Ice Making Head (IH)	
	Model	Electrical (volts/Hz/phase)	Model	Electrical (volts/Hz/phase)
1200	ECC1200-32A	208-230/60/1	EH330SL-1D or EH330ML-1E	115/60/1
1400	ECC1410-32A	208-230/60/1	EH430SL-1D or EH430ML-1E	115/60/1
1400	ECC1410-3A	208-230/60/3	EH430SL-1D or EH430ML-1E	115/60/1
1800	ECC1800-3A	208-230/60/3	EH430SL-1D or EH430ML-1E	115/60/1

Warranty

Refer to the warranty coverage in effect when the equipment was sold. Warranty statements are included with each product.

Systems:

Each sub-system is a separate entity that carries its own model and serial number. They must be combined to create a remote cuber low side system.

Notes: Voltage Codes are at the end of the model number. Codes read Voltage/Hertz/Phase. Those related to these products include:

-1 = 115/60/1

-3 = 208-230/60/3

-32 = 208-230/60/1

Tubing kits are required to interconnect the head to the CU

- 20 foot: 3BRTE20-EH,
- 35 foot: 3BRTE35-EH
- 50 foot: 3BRTE50-EH
- 75 foot: 3BRTE75-EH

Interconnecting 24 volt control wire ships in the condensing unit.

Warning:



WARNING: Cancer and Reproductive Harm
www.P65Warnings.ca.gov

**EH330, EH430 E and ECC Condensing Unit
Remote Low Side Cuber User Manual
Technical Specifications**

Model	Electrical (volts/Hz/phase)	Minimum Circuit Ampacity	Maximum Fuse Size	System Charge oz of R-404A	Cabinet Size* w" x d" x h"	Approx. Unit Weight (lb)
EH330SL-1E	115/60/1	3	15	-	30 x 24 x 23	130
EH430SL-1E	115/60/1	3	15	-	30 x 24 x 29	165
ECC1200-32	208-230/60/1	17.7	30	248	32 x 39 x 39.75	
ECC1410-3	208-230/60/3	11.6	20	248	32 x 39 x 39.75	
ECC1410-32	208-230/60/1	15.8	30	248	32 x 39 x 39.75	
ECC1800-3	208-230/60/3	19.0	30	232	32 x 39 x 39.75	

* See Cabinet Drawings for exact dimensions.

Location Limitations

Maximum Distance between Head and Condensing Unit: Limited to the length of the longest available single tubing kit, 75 feet.

Maximum Condensing Unit Elevation over Ice Making Head: 35 feet.

Note: Elevations greater than 20 feet require installation of a suction line trap at the 20 foot mark.

Maximum Ice Making Head Elevation over Condensing Unit: 15 feet.

Line Routing:

- Allowed: One rise after a drop.
- Allowed: One drop after a rise.
- Not Allowed: More than one rise after a drop
- Not Allowed: More than one drop after a rise.

Model Number Locations

Ice Making Head

The dataplate on the back of the ice machine contains the model number, serial number and electrical data.

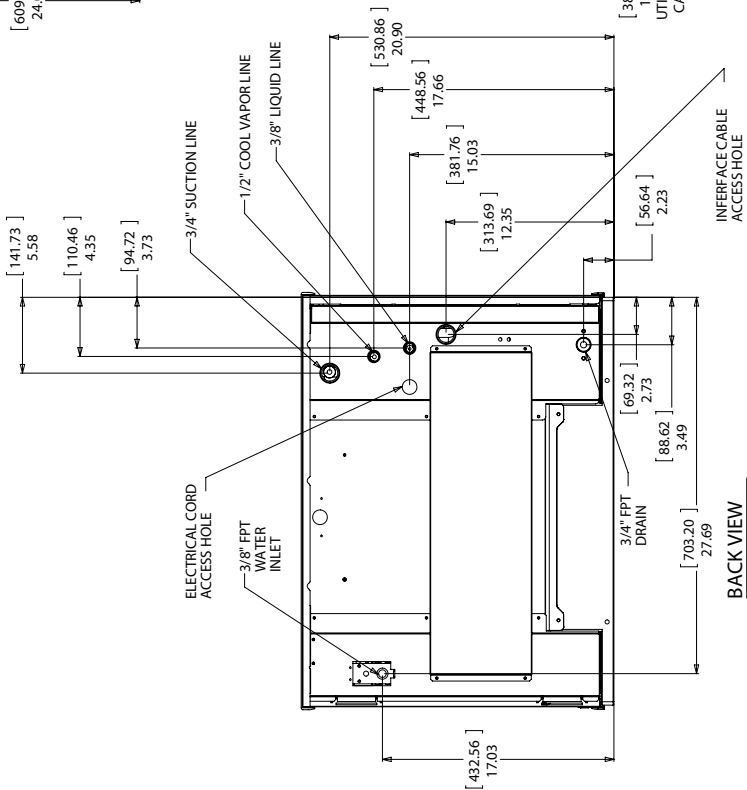
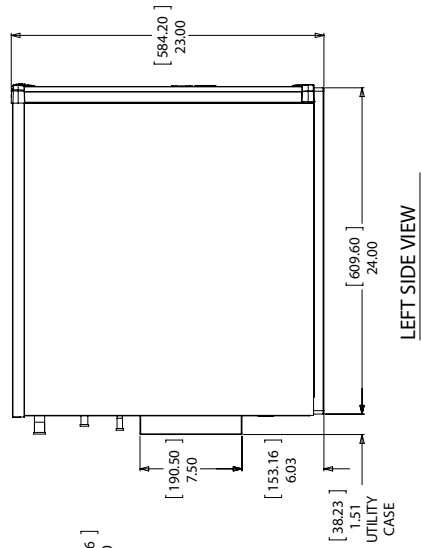
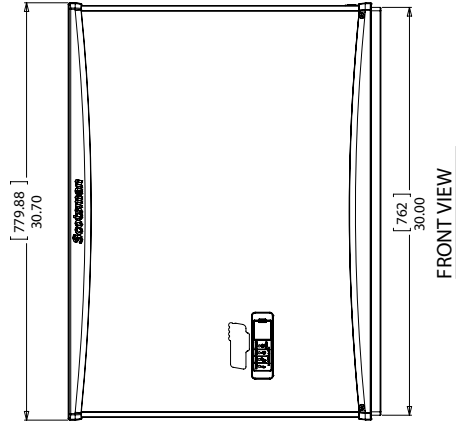
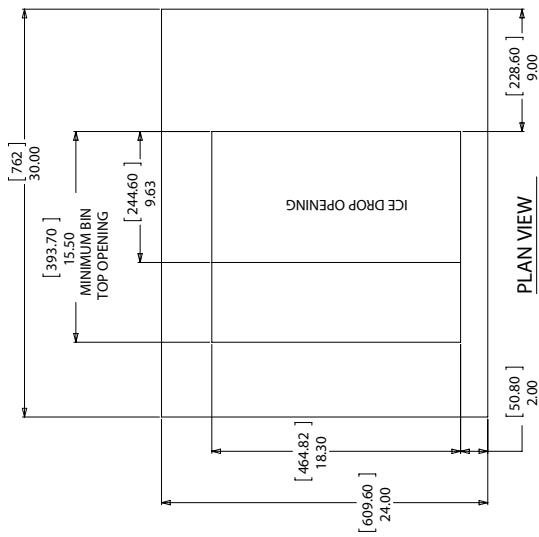
A second plate, located behind the front panel at the lower right front, also lists the model and serial numbers.

Condensing unit

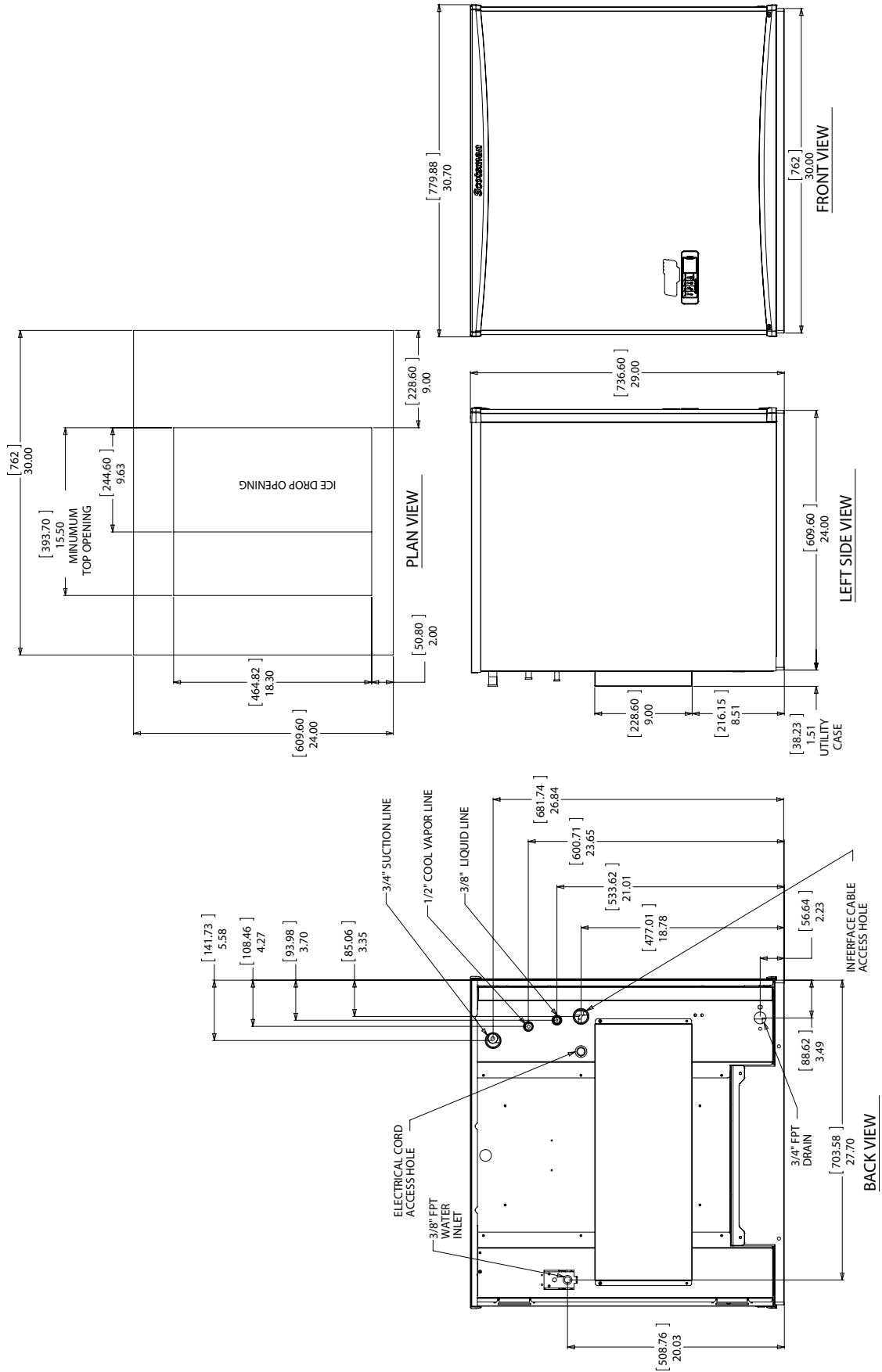
The dataplate on the condensing unit contains the model number, serial number, electrical data and system refrigerant charge.

A second plate, located behind the front panel in front of the compressor, also lists the model number, serial number and refrigerant charge.

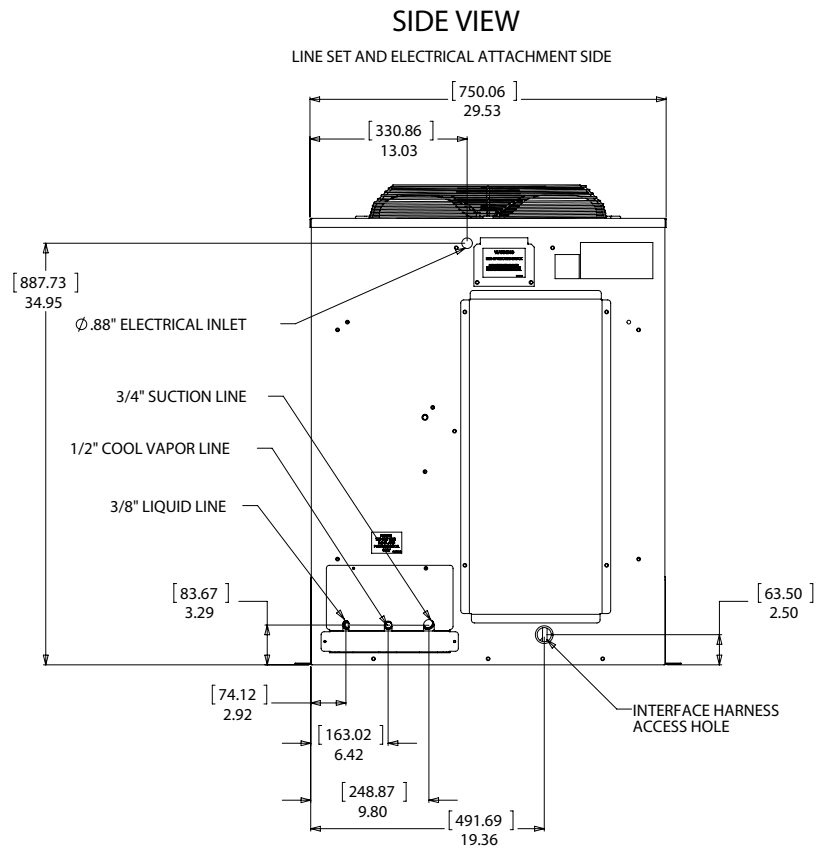
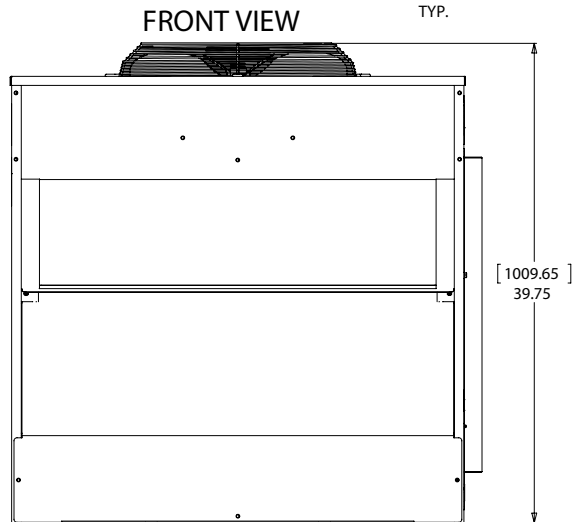
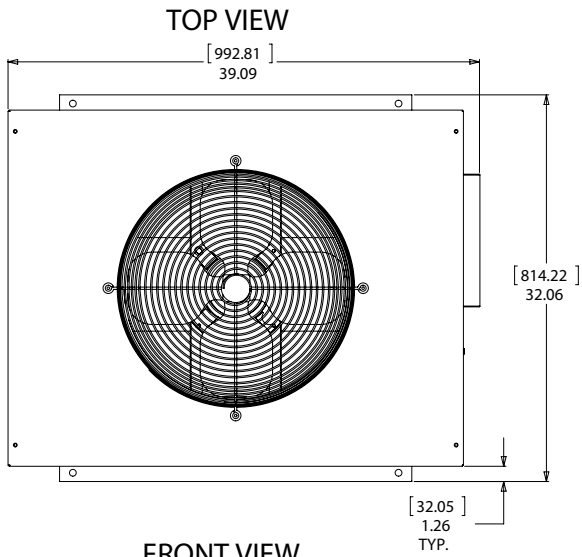
**EH330, EH430 E and ECC Condensing Unit
Remote Low Side Cuber User Manual
Cabinet Drawings, EH330 Ice Making Head**



**EH330, EH430 E and ECC Condensing Unit
Remote Low Side Cuber User Manual
Cabinet Drawings, EH430 Ice Making Head**



**EH330, EH430 E and ECC Condensing Unit
Remote Low Side Cuber User Manual
Cabinet Drawings, ECC Condensing Unit**



EH330, EH430 E and ECC Condensing Unit

Remote Low Side Cuber User Manual

Pre-Installation Details

Note: The ice making head cannot be stacked vertically.

Accessories such as bin adapters and tubing kits are required to complete the installation.

Dispenser Adapter Kits:

- Scotsman ID200 or ID250: KBT44

Bin Adapter Kits:

- B948S: KBT22A

Tubing Kits:

- 20 foot: 3BRTE20-EH
 - 35 foot: 3BRTE35-EH
 - 50 foot: 3BRTE50-EH
 - 75 foot: 3BRTE75-EH
-

Note: Line set may have quick connects. See refrigeration system detailed instructions connection details.

Items required for installation:

- Ice making head
- Condensing unit (includes interconnecting control system wire)
- Tubing kit. 20', 35', 50' or 75' triple line set (liquid, vapor and suction)
- Bin or dispenser adapter

Special Considerations

The ice making section's footprint is 30" wide by 24" deep plus another 1.5" for a utility chase on the back panel. The refrigeration connections can be made to go up or out the back by bending the line set tubing. The electrical power cord and the water inlet line can also be routed through either of those areas. The drain may be routed out the back or to the left side.

Water

Pure water does not exist. All water supplies contain some amounts of impurities, although potable water is, by definition, fit for human consumption. Because the contents of the water to an ice machine directly impact its performance, consideration should be given to improving the water's quality.

There are two ways water can contain impurities: in suspension or in solution. Suspended solids can be filtered out of the water. In solution or dissolved solids must be diluted or treated. Water filters are recommended to remove the suspended solids.

Some filters or filter systems have treatment chemicals in them for treating the suspended solids.

This ice machine has an adjustment for the amount of water rinsed or purged. Water use adjustments are customer convenience adjustments; they are not factory defects and are not covered by warranty.

EH330, EH430 E and ECC Condensing Unit Remote Low Side Cuber User Manual Create the System

Plan the installation. The system consists of three parts: the ice making head, the condensing unit and the interconnecting tubing. Of these, the biggest variable is the interconnecting tubing.

Tubing: The tubing consists of three insulated and sealed soft copper tubes. One tube, the liquid line, is 3/8" OD. The vapor tube is 1/2" OD and the suction tube is 3/4" OD. A site inspection will determine what length of tubing is required for the installation.

In 2013 Scotsman made a change to the Eclipse tubing kits:

- **Prior Tubing Kits:** They each contain a small holding charge of R-404A and have quick connects at the ends.
- **Current Tubing Kits:** They do not contain any refrigerant and do not have quick connects.

Either type can be used to connect the head and condensing unit.

Quick Connect type: Check ice making head and condensing unit for quick connects. If none, recover refrigerant from tubing and cut the quick connects off.

If the head or condensing unit has a quick connect, recover refrigerant and only cut off the quick connect at the system with the stub connections.

Tubing without quick connects: Check head and condensing unit, if neither have quick connects, use as is. If one or both do, obtain kit KTE6 to add quick connects to the line set.

Excess tubing must be shortened at the job site.

Installations with greater than 20 feet of vertical lift between ice machine and the compressor require a suction line trap. The suction line requires careful handling and large radius bends to prevent kinking.

Roof mounting: Some installations will require the use of a hoist to lift the components to the roof.

Pad mounting: The condensing unit may be located below the ice making section, up to a limit of 15 feet.

Distance from unit: Limited to the length of the available tubing.

Elevation: Condensing unit limited to 35 feet above the ice making head.

Condensing Unit: Electrical power must be supplied to the condensing unit, it will be separate from the head.

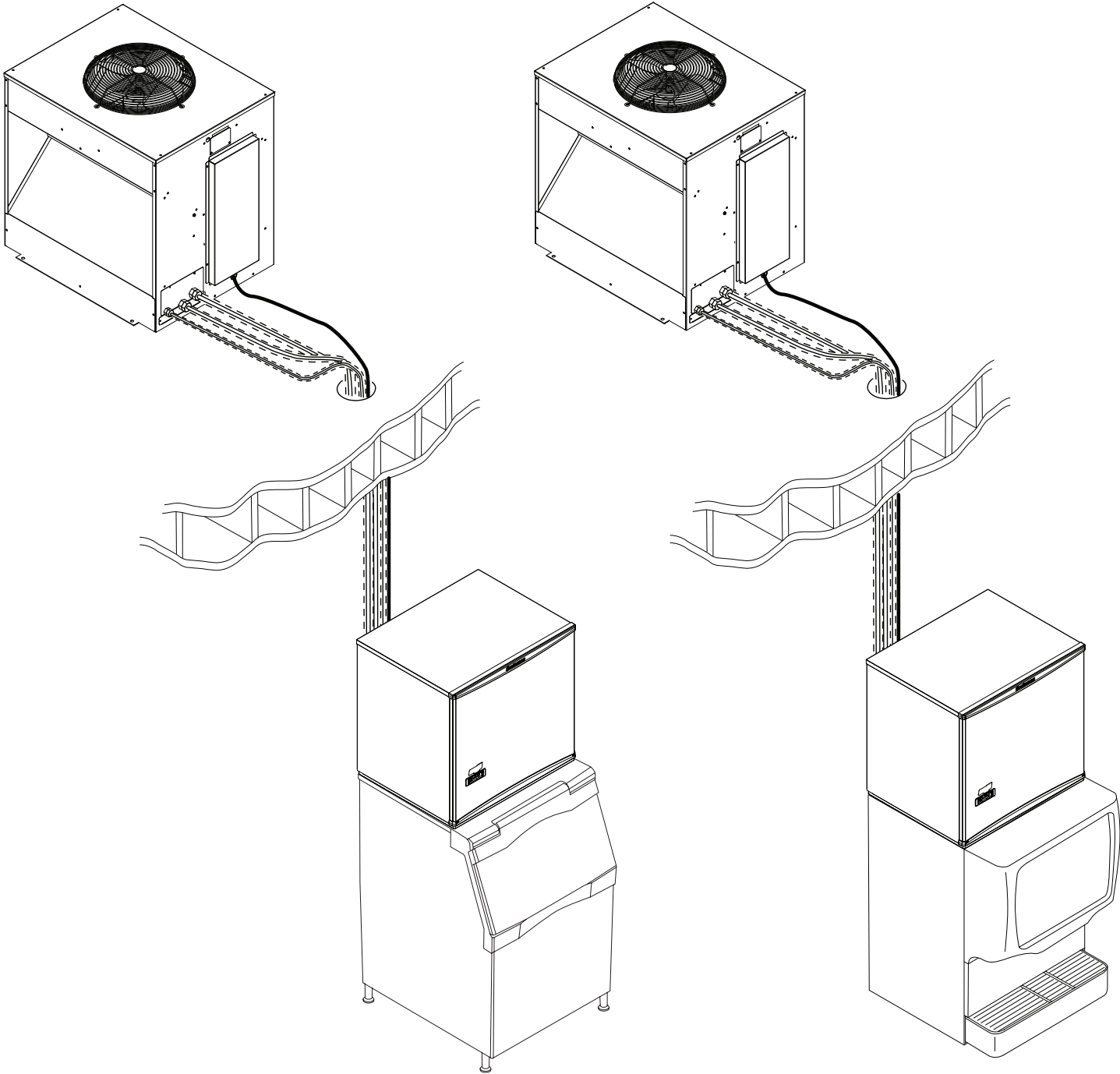
The remote tubing connections are at the top of the machine, and connections should not be made until the machine is nearly in its final installed position.

The 115/60 Hz ice making section is cord connected and requires an outlet within 6 feet of the installation.

Interconnecting wires: A low voltage interconnecting wire harness is included with the condensing unit. One end plugs into the ice making head and the other into the condensing unit. The system will NOT operate without this harness.

Exposed tubing: Minimize the amount of tubing exposed outdoors.

EH330, EH430 E and ECC Condensing Unit
Remote Low Side Cuber User Manual
System Example



EH330, EH430 E and ECC Condensing Unit Remote Low Side Cuber User Manual Place Remote System

Roof preparation

Most installations of this system will place the condensing unit on the roof of a building. The roof must be physically able to accept the load of the equipment and the roofing material must be prepared to prevent water leaks.

Follow local codes for the placement and attachment of the equipment.

Location

The condensing unit requires unobstructed air flow to operate efficiently. A four foot space between each intake side and a wall or other cabinet is recommended.

Do not place where it will pick up hot discharged air from an air conditioner or other refrigeration system condensing unit.

Space must also be reserved for service on the condensing unit.

Roof Piercing:

The roof (or wall) must have an opening large enough for the three refrigeration tubes and the control wire to pass through. The minimum recommended size is 4" ID. In most areas the power supply may also pass through the same passage. If there isn't a passage one must be created. In most cases this must be done by a licensed and bonded roofer in order to maintain the roof's integrity.

In all cases the line set will need to be shortened to fit.

Do NOT leave excess line set exposed outdoors, especially on a roof.

Refrigerant Recovery and System Evacuation Notice

In the event the refrigerant must be recovered from this system and the system evacuated, recover and evacuate from the three ball valve access valves.

Roof Pipe Curb or Pitch Pocket:

To avoid potential kinking of the refrigeration tubing, avoid small, tight radius types of covers on pitch pockets.

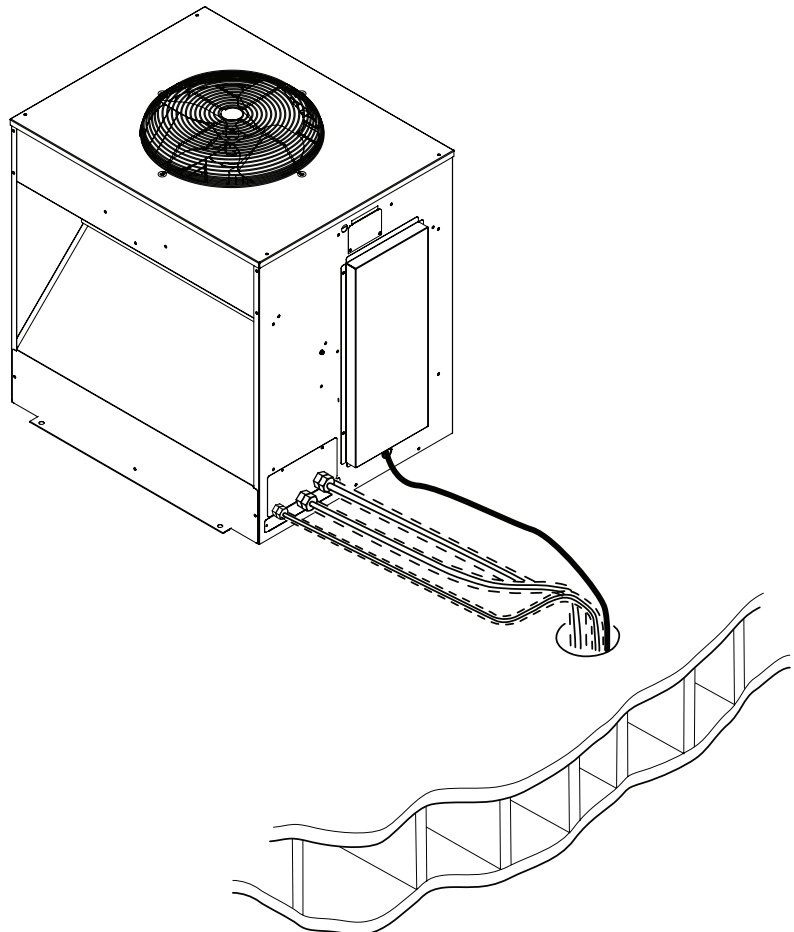
Suggestions:

In most cases a mechanical lift, boom truck or crane will be required to hoist the condensing unit.

Mount unit to roof rails or curbs and secure with lag screws or similar field supplied fasteners.

Orient the assembled unit so that the unit's mounts are parallel to the pitch of the roof to allow water to drain freely.

Do NOT place the unit directly onto roof rock.



EH330, EH430 E and ECC Condensing Unit Remote Low Side Cuber User Manual Place Ice Making Head

Remove from carton.

Remove all panels.

Utility Connection Route:

Electrical: The unit is supplied with a power cord. There is also an interconnecting control wire that must be routed between the ice making head and the condensing unit.

Water Supply: The water supply can be routed from the top or back.

Drain: The drain must be routed out the back.

Refrigeration Tubing: Field bending will allow the tubing to be routed up or towards the back.

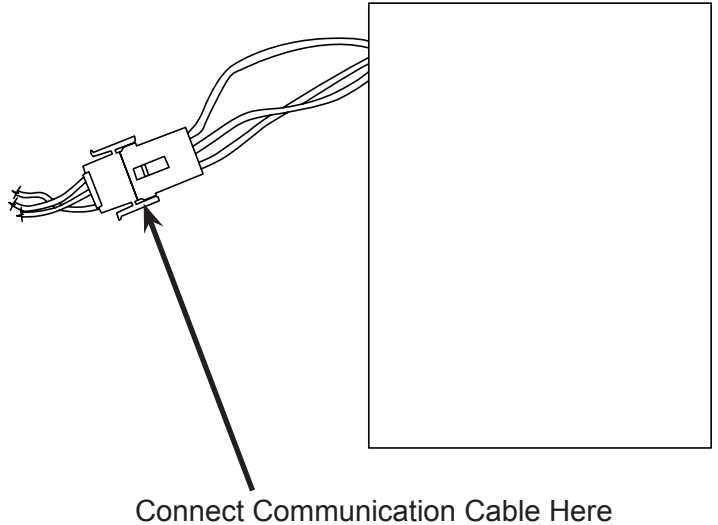
Adapters:

In many cases an adapter kit will be required when placing the head unit on a bin or dispenser. See sales information for the correct kit. Place adapter kit onto bin or dispenser top. If adapter does NOT have gasket tape install tape such as Scotsman part number 19-0503-04.

Note: External drain tubing must be supported to insure that it does not move and kink the internal rubber tube.

Communication Cable

Plug the interconnecting communication cable into the harness at the back of the head unit's electrical box.



EH330, EH430 E and ECC Condensing Unit

Remote Low Side Cuber User Manual

Condensing Unit Electrical

Route interconnecting control wire through proper hole in side of CU unit and plug into the connection on the side of the control box.

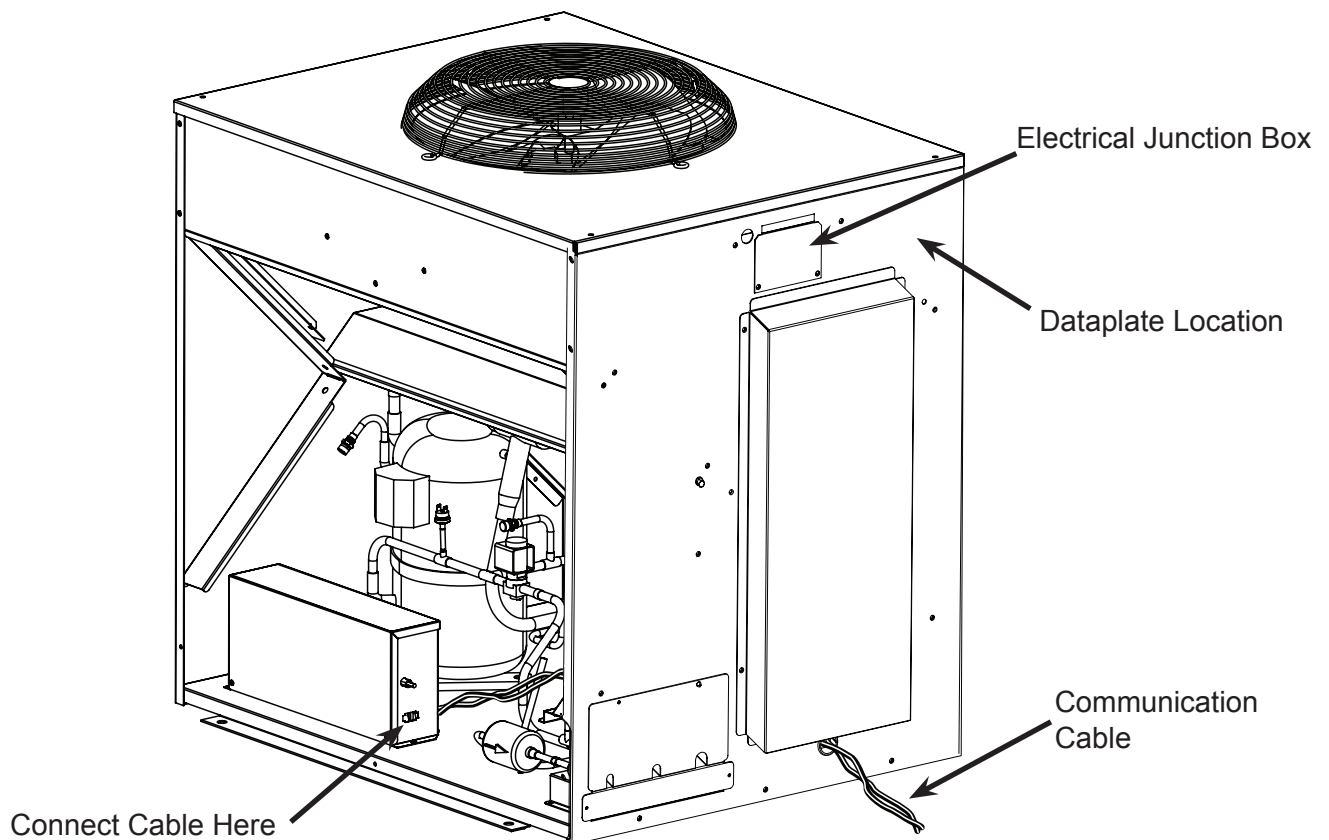
Route power conduit (liquid tight) and wires to the hole in the side of the CU unit. Connect to wire leads or terminal strip, if used, with the proper type of connector.

Note: The power supply wires must be the correct size and type per the National Electric Code.

Locate the nameplate on the CU unit for the Voltage, Phase, Minimum Circuit Ampacity and Maximum Fuse Size. Either fuses or HACR type circuit breakers may be used.

Follow all Local, State and National Codes.

Three Phase Notice: Check voltage between legs at contactor. If there is a “wild leg” in the three phase power supply move supply wires so the higher voltage is on L3 of the contactor, which connects to the compressor motor only.



EH330, EH430 E and ECC Condensing Unit Remote Low Side Cuber User Manual Water and Drain

All models require connection to cold, potable water. A hand actuated valve within sight of the machine is required. There is a single 3/8" FPT inlet water connection.

Water Filters

Install a new cartridge if the filters were used with a prior machine.

All models require drain tubing to be attached to them. There is a single 3/4" FPT drain fitting in the back of the cabinet.

Install new tubing when replacing a prior ice machine, as the tubing will have been sized for the old model and might not be correct for this one.

1. Connect water supply to water inlet fitting.

Note: This NSF listed model has a 1" anti-back flow air gap between the potable water inlet tube end and the highest possible reservoir water level, no back flow device is required.

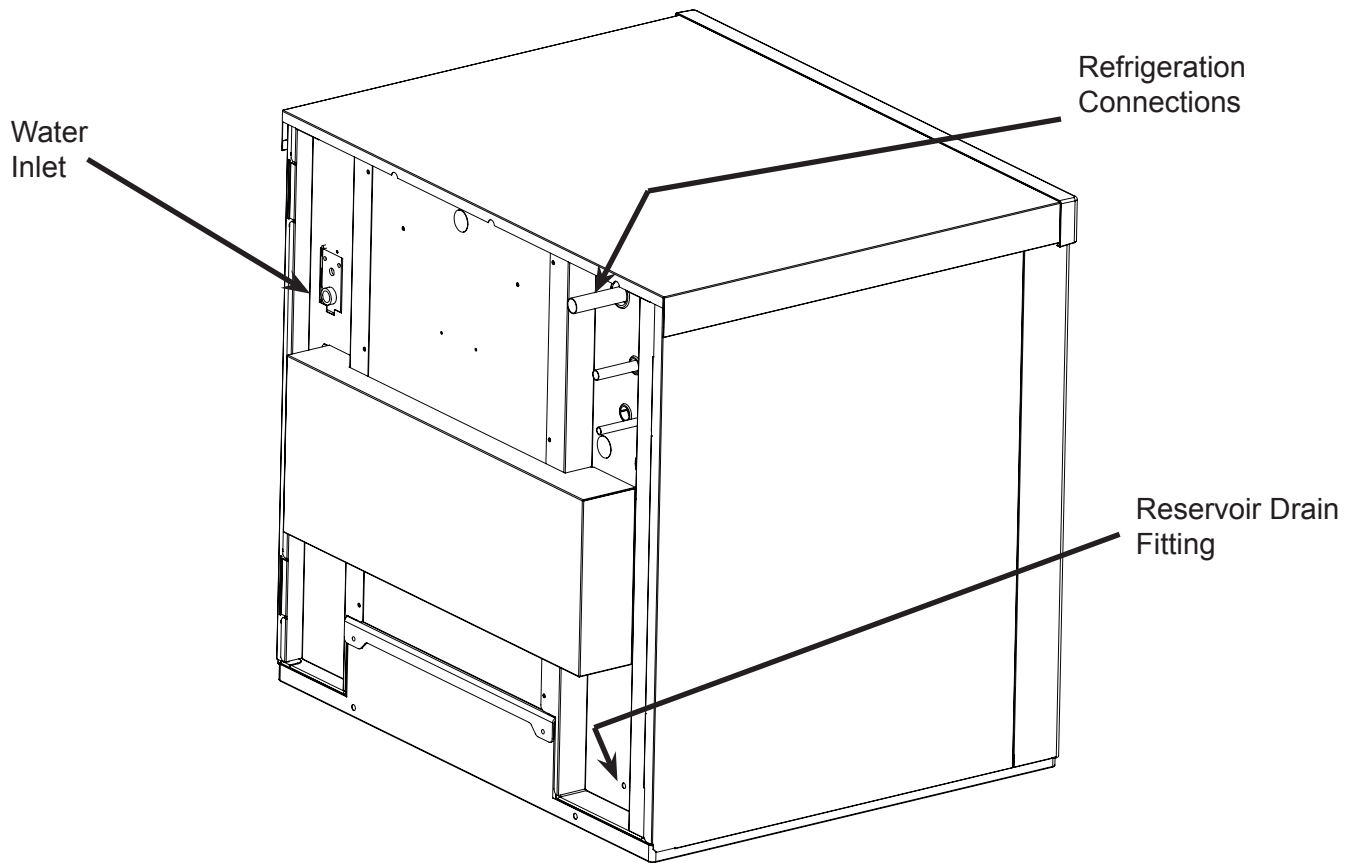
2. Connect drain tubing to drain fitting.

3. Route the drain tubing to building drain. Follow local codes for drain air gap. Use rigid drain tubes and route them separately – do not Tee into the bin's drain.

Vent the reservoir drain. A vertical vent at the back of the drain, extended about 8 – 10" will allow the gravity drain to empty and also keep any surges during draining from discharging water.

Horizontal runs of drain tubing need a 1/4" per fall per foot of run for proper draining.

Follow all applicable codes.



EH330, EH430 E and ECC Condensing Unit Remote Low Side Cuber User Manual Connect Refrigeration

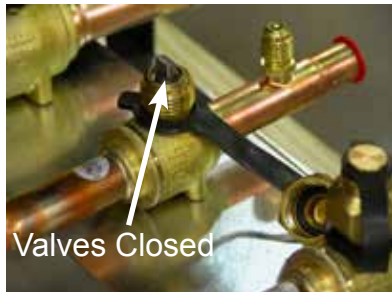
Requires brazing, steps must be performed by an EPA certified type II or higher technician.

At Head:

1. Remove protective plugs from all three connections and vent the nitrogen from the ice machine.
2. Route the each of the three tubes to its connection.
3. Remove the top panel and attach a refrigeration hose with depressor to the 1/2 inch ID vapor line access valve so the valve is OPEN. This is a vent for nitrogen purging.
4. Clean tubing ends and position into the couplings.

At Condensing Unit

1. Confirm connection valves are fully closed.
2. Remove protective plugs from all three connections.
3. Remove caps from access valve connections.
4. Remove cores from access valves.
5. Connect refrigeration hoses to access valves.
6. Connect dry nitrogen source to liquid line connection and vapor line connection.
7. Shorten tubing to correct length, clean ends and insert them into valve stubs.



Note: Be sure tube and stubs are round, dress with swage tool if needed.

8. Add heat sink material to ball valve body.
9. Open nitrogen and flow 1 psi nitrogen into liquid line and vapor line tubes and braze the liquid line, vapor line and suction line tubes to the valve stubs.

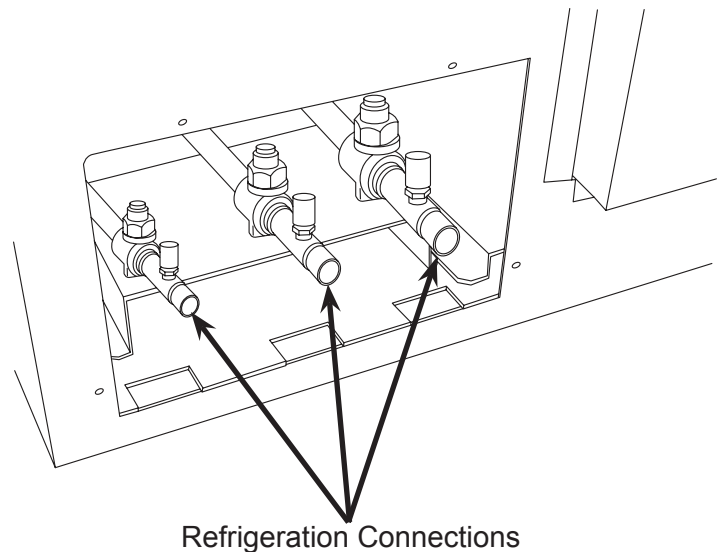
At Head

1. With nitrogen flowing from condensing unit, braze the liquid, vapor and suction line connections.
2. Remove refrigeration hose from head. Be sure valve cap is on tight.

At Condensing Unit

1. Remove nitrogen supply.
2. Return valve cores to access valves.
3. Connect vacuum pump to all three access valves and evacuate the tubing and head to at least a 300 micron level.
4. Remove vacuum pump and add R-404A vapor to all three tubes to provide a positive pressure.
5. Leak check the braze connections and repair any leaks.
6. Open all three valves to full open.

Note: The full refrigerant charge is contained in the receiver of the condensing unit.



EH330, EH430 E and ECC Condensing Unit Remote Low Side Cuber User Manual Complete the Installation

After the utilities and refrigeration connections have been made, secure the unit to the dispenser or bin top.

Secure ice making section to dispenser or bin adapter.

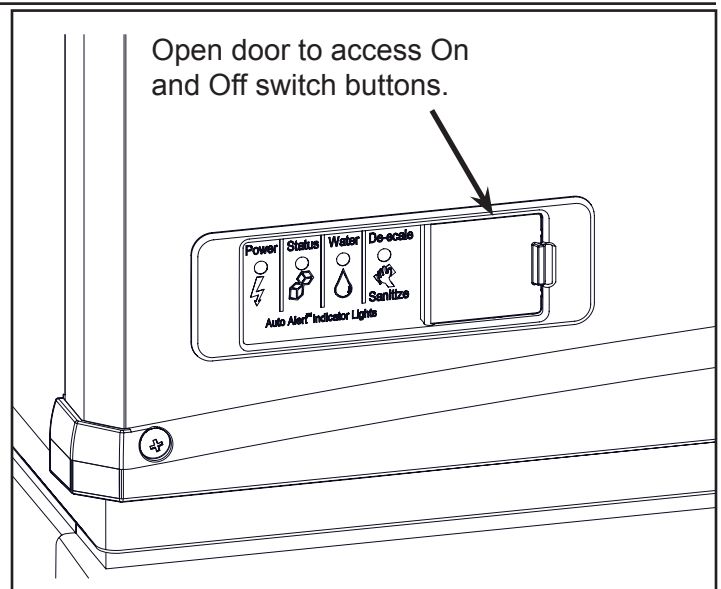
Use strap/clips to secure unit. On some bins or dispensers it may be necessary to drill small holes and use field supplied sheet metal screws to secure the ice making head to that bin, dispenser or adapter.

If the ice maker & bin or dispenser is not yet in its final position gently move it there.

Note: The refrigerant lines above the machine must be able to move freely while the machine is being moved into position.

Final Check List Before Initial Start Up

1. Confirm that the ice making section is installed indoors in a controlled environment.
2. Confirm that all packing materials have been removed from all products.
3. Confirm that the ice making section is level.
4. Confirm that all the refrigerant connections have been made and checked for leaks.
5. Confirm that the proper power supply has been turned on to the condensing unit.
6. Confirm that cold, potable water has been supplied to the ice making section and checked for leaks.
7. Confirm that the water supply is adequate.
8. Confirm that there is adequate water pressure and that any water filters have been checked to confirm that the cartridges do not need changing.
9. Confirm that the proper size drain tubing has been installed and properly routed.
10. Confirm that the ice making section has been connected to the proper power supply.
11. Confirm that the interconnecting wire has been routed and connected between the ice making section and the condensing unit.



Lower Light and Switch Panel

This user accessible panel provides important operational information and duplicates the lights and switches on the controller. It also allows access to the On and Off buttons that operate the ice machine.

Sometimes access to the switches should be limited to prevent unauthorized operation. For that purpose a fixed panel is shipped in the hardware package. The fixed panel cannot be opened.

To install the fixed panel:

1. Remove the front panel and remove the bezel.
2. Spread the bezel frame open and remove original door, insert fixed panel into bezel. Be sure it is in the closed position.
3. Return bezel to panel and install panel on unit.

EH330, EH430 E and ECC Condensing Unit Remote Low Side Cuber User Manual Reference for Start Up: Controller Operation

The controller has four indicator lights, a code display, four push buttons, and eleven component indicator lights.



Indicator Lights

- Power - on when there is power to the controller
- Status - on in ice making mode
- Water - on and blinking when there is no water
- De-scale & Sanitize - on when it is time to clean the machine

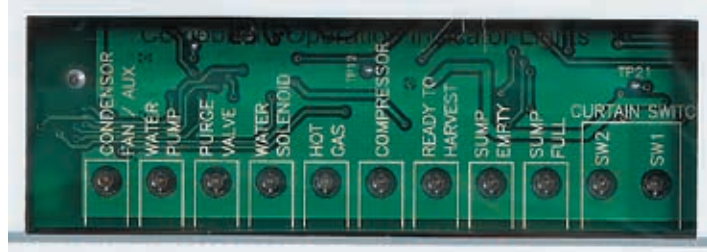
Code Display

- Displays status and diagnostic codes

Push Buttons

- On
- Off
- Manual Harvest
- Clean

Component indicator lights



- Fan - not used on this model
- Water Pump - on when the pump is
- Purge Valve - on when the purge valve is
- Water Solenoid - on when the inlet water solenoid valve is
- Hot Gas - on when the vapor inlet valve and harvest assist solenoid have power
- Compressor - on when the compressor contactor is energized
- Ready to Harvest - on when the ice thickness sensor has water touching it
- Sump Empty - on when there is no water touching the mid-length probe
- Sump Full - on when water is touching the shortest probe
- SW2 - on when the curtain is open
- SW1 - on when the curtain is open

Cycle Definitions:

Freeze: The refrigeration system is operating to remove heat from the evaporators. The compressor, fan motor, and water pump are on.

Harvest: The refrigeration system and water system are operating to harvest the ice and rinse the reservoir. The compressor is on for the full cycle, the pump is on until the purge valve closes.

The inlet water valve opens and refills the reservoir. The vapor and condenser by-pass valves are open during the entire harvest cycle, as are the harvest assist mechanisms.

EH330, EH430 E and ECC Condensing Unit

Remote Low Side Cuber User Manual

Initial Start Up

Pre Start

A soak-out period of four hours is optional for this system. If desired, powering the compressor unit for four hours prior to start up allows the crankcase heater to warm up the oil in the compressor.

Start Up

1. Connect power to the condensing unit and move its toggle switch to Run or On.
2. Open the water supply valve.
3. Remove the head's front panel. Check for any packing or wires rubbing moving parts. Note location of control board in upper left corner of the machine's front.
4. Remove any tape securing curtain to evaporator.
5. Switch on the electrical power to the EH head. Observe that some of the control's indicator lights glow and its display shows *U*.
6. Push and release the ON button. The code display will begin to blink *F*.

The purge valve opens, the water pump starts and the inlet water valve opens to add water to the reservoir. In a few seconds the purge valve closes and the water pump stops. Water will flow into the machine until the reservoir is full. The vapor valves and harvest assist devices will activate, then the compressor and water pump will start. The *F* will be on steady.

Note: Because the condensing unit is external to the ice making section, no visible signs of operation will be noticeable until the water begins to cool and frost forms on the evaporator tubing.

7. Go to the condensing unit and confirm that the compressor and fan motor are operating. Warm air will be discharged from the condenser.

Observe the Ready for Harvest indicator light. It may blink early in the cycle, that is normal. The control will ignore that signal for the first 6 minutes of freeze.

During the Freeze cycle move the curtains and observe that the SW1 or SW2 light on the control board blinks On when the curtain moves away from the evaporator and Off when returned to its normal position.

Note: Moving a curtain during the Freeze cycle has no affect on control function, but will cause water to flow into the cube chute. When enough ice has frozen, the Ready for Harvest indicator light will be on steady. After it's been on steady for a few seconds Harvest will begin.

The display shows an *H*. The vapor valve in the EH opens, and the harvest assist mechanism activates. In the CU the condenser fan stops and the condenser bypass valve opens and the receiver inlet valve closes. In the EH, the purge valve opens to drain some water, when it does the inlet water valve opens to refill the reservoir. After a few seconds the purge valve closes but the inlet water valve continues to fill the reservoir. Harvest continues until the ice is released as a unit and forces the curtain to open.

When the curtain opens it signals the controller that harvest is complete, and it returns the unit to a freeze cycle.

8. Check the ice harvested for proper bridge thickness. The ice bridge is factory set at 1/8 inch. If needed, adjust bridge thickness. Do NOT make it too thin.
9. Return the front panel to its normal position and secure it to the machine.
10. Instruct the user in the operation of the machine and its maintenance requirements.
11. Fill out and mail the warranty registration form or register it on line at www.scotsman-ice.com.

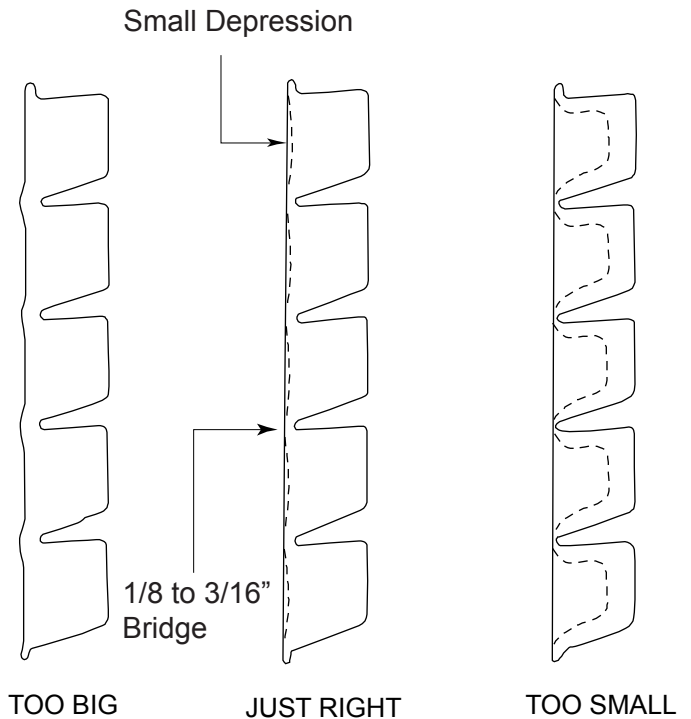
EH330, EH430 E and ECC Condensing Unit Remote Low Side Cuber User Manual Ice Thickness and Water Purge Adjustment

Bridge Thickness - For the Service Tech Only

1. Push and hold Off till the machine stops.
2. Remove evaporator cover.
3. Remove left curtain.
4. Use a hex wrench and rotate the bridge thickness adjustment screw in 1/16 turn increments CW to increase bridge thickness.
5. Rotate CCW to decrease bridge thickness.

Caution: Do not make the bridge too thin or the machine will not harvest properly. Bridge thickness adjustments are not covered by warranty.

6. Return curtain and evaporator cover to their normal positions.
7. Push and release the On button. Check next harvest of ice. Repeat steps 1-6 if needed.



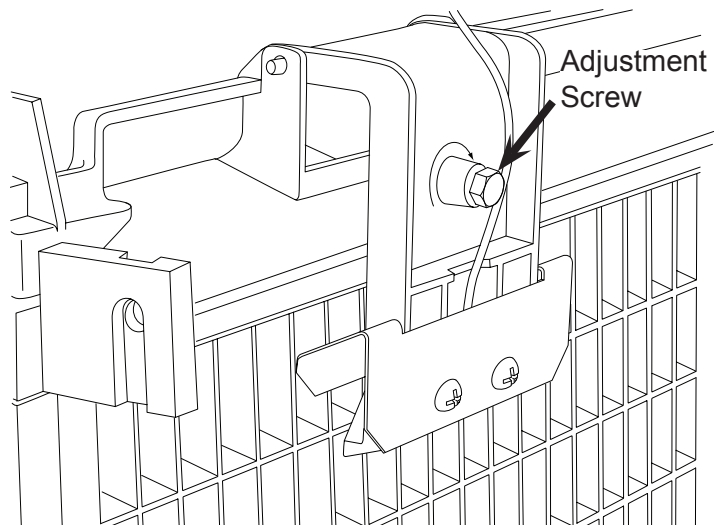
Water Purge Setting

The water purge is factory set to the automatic position, suitable for most water conditions. The setting can be changed to one of 5 manual settings or left on automatic.

Setting	Water Type
1	Minimum - RO water or equivalent
2	Moderate - Low TDS, non RO
3	Standard - Use with typical water
4	Heavy - High TDS
5	Maximum - Very high TDS
A	Automatic - Factory setting

To set:

1. Switch the machine OFF by holding the Off button in until a number or the letter A shows on the display.
2. Press and release the On button repeatedly until the number on the display corresponds to the desired setting.
3. Press and release the Off switch again to return to the normal control state.



EH330, EH430 E and ECC Condensing Unit

Remote Low Side Cuber User Manual

Cleaning, Sanitation and Maintenance

This ice system requires three types of maintenance:

- Remove the build up of mineral scale from the ice machine's water system and sensors.
- Sanitize the ice machine's water system and the ice storage bin or dispenser.
- Clean the remote air cooled condenser.

It is the User's responsibility to keep the ice machine and ice storage bin in a sanitary condition. Without human intervention, sanitation will not be maintained. Ice machines also require occasional cleaning of their water systems with a specifically designed chemical. This chemical dissolves mineral build up that forms during the ice making process.

Sanitize the ice storage bin as frequently as local health codes require, and every time the ice machine is cleaned and sanitized.

The ice machine's water system should be cleaned and sanitized a minimum of twice per year.

1. Remove the front panel.
2. Remove the evaporator cover.
3. Remove all ice from the storage bin or dispenser.
4. Push and release the Clean button. The yellow Clean light will blink and the display will show ζ . The machine will harvest any ice, drain the reservoir and begin to refill it.

Note: Curtains must be in the closed position. Move curtains to release any ice trapped after ice is harvested.


5. Observe code display, when it blinks the character "R d I" immediately go to the next step.
6. Pour 20 ounces (EH330) or 24 ounces (EH430) of Scotsman Clear 1 ice machine scale remover into the reservoir. The unit will circulate the scale remover, then drain and flush it. This will take 35 minutes, then the machine will stop and the display will show \varnothing .

Note: If unit has not been de-scaled for an extended period of time and significant mineral scale remains, repeat steps 4-6.

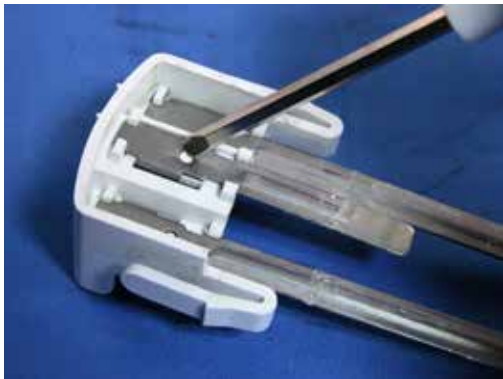
7. Mix a cleaning solution of 1 oz of ice machine scale remover to 12 ounces of water.
8. Locate curtains, push in on edge of curtain by pivot pin to release it. Pull curtain out of machine.

Note: EH330 curtains must go back on the same side they were removed from.

9. Remove water distributors from ice machine. Remove cover, inspect distributor for restricted orifice holes, flush out any debris and open any restricted holes. Return cover to distributor, be sure it is fully attached.
10. Locate ice thickness sensor. Squeeze mounting legs together to release sensor.
11. Wash the sensor and the adjustment screw with ice machine scale remover solution, rinse with clean water. Also wash the water distributor and curtain with the ice machine cleaner solution.
12. Locate water level sensor. Squeeze catches together and pull up to remove sensor.
13. Separate probes from housing and wash all surfaces with ice machine scale remover solution. Rinse and return probes to holder.
14. Create a solution of sanitizer. Mix 8 ounces of NuCalgon IMS and 5 gallons of 105-115 degree F. potable water to create a 200 ppm active quaternary solution.

	<p>CAUTION</p> <p>Ice machine scale remover contains acids. Acids can cause burns.</p> <p>If concentrated cleaner comes in contact with skin, flush with water. If swallowed, do NOT induce vomiting. Give large amounts of water or milk. Call Physician immediately. Keep out of the reach of children.</p>
---	--

EH330, EH430 E and ECC Condensing Unit Remote Low Side Cuber User Manual



Step 13.
Release probes by pushing in on white buttons and pulling probe down out of holder.

15. Thoroughly wash all surfaces of the ice thickness sensor, water level sensor, curtain and water distributor with the sanitizer solution.
16. Wash all interior surfaces of the freezing compartment, including evaporator cover and right side panel liner with the sanitizer solution.
17. Return water level sensor, ice thickness sensor, water distributor and curtain to their normal positions. Be sure water level sensor and ice thickness sensor are completely dry.
18. Push and release the Clean button. The yellow Clean light will blink and the display will show ϵ . The machine will go through a harvest cycle, drain the reservoir and begin to refill it.
19. Observe code display, when it blinks the characters "Rd" immediately go to the next step.
20. Pour the sanitizing solution into the reservoir until it is full. The unit will circulate the sanitizer, then drain and flush it. This will take 35 minutes, then the machine will stop and the display will show δ .
21. Return all panels and covers removed to their original positions.
22. Push and release the On button to resume ice making.

Other Maintenance

The remote air cooled condenser coil must be cleaned occasionally to keep the system operating at high efficiency. Airflow is from the outside in.

- Remove any large debris from the outside of the coil.
- Vacuum accumulated dust.
- Wash out the coils with water.

Caution: Do NOT use excessive water pressure as that will bend the fins.

If the coils have become coated with grease, a coil cleaner will have to be used to wash the coils.

Disconnect power to the condensing unit and remove the condenser top.

Inspect the fan blade to be sure it is not cracked and

<p>⚠ WARNING</p> <p>Rotating fan blade can cause personal injury.</p> <p>Disconnect power to unit before servicing it.</p>	
--	--

is clean.

Return the condenser top to its original position and reconnect the power supply.

**EH330, EH430 E and ECC Condensing Unit
Remote Low Side Cuber User Manual
Operational Characteristics 1200 lb system**

Cycle Times @ Condenser Temp/Cabinet Temp/Water Temp in degrees F.

	70/70/50	90/90/70	120/110/100
Freeze	9 to 11 minutes	12 to 14 minutes	17 to 19 minutes
Harvest	1 to 1.5 minutes	1 to 1.5 minutes	.5 to 1 minute

System Pressures @ Condenser Temp/Cabinet Temp/Water Temp in degrees F

	70/70/50	90/90/70	120/110/100
Suction at head, end of Freeze	29 to 31 PSIG	34 to 36 PSIG	36 to 38 PSIG
Suction at head, Harvest - Peak	92 to 98 PSIG	165 PSIG	170 PSIG
Discharge at Condensing Unit: Freeze - 5 minutes in	230 to 250 PSIG	250 to 270 PSIG	350 PSIG

Operational Characteristics 1400 lb system

Cycle Times @ Condenser Temp/Cabinet Temp/Water Temp in degrees F.

	70/70/50	90/90/70	120/110/100
Freeze	10 to 14 minutes	13 to 17 minutes	21 to 25 minutes
Harvest	1 to 1.5 minutes	1 to 1.5 minutes	.5 to 1 minute

System Pressures @ Condenser Temp/Cabinet Temp/Water Temp in degrees F

	70/70/50	90/90/70	120/110/100
Suction at head, end of Freeze	35 to 45 PSIG	35 to 45 PSIG	40 to 50 PSIG
Suction at head, Harvest - Peak	85 to 105 PSIG	100 to 120 PSIG	120 to 150 PSIG
Discharge at Condensing Unit: Freeze - 5 minutes in	220 to 260 PSIG	250 to 270 PSIG	370 to 380 PSIG

Below information applies to both size systems:

Headmaster maintains a minimum discharge pressure during freeze of 217 PSIG + 25, -15 PSIG.

CPR Valve Setting: 55 - 60 PSIG.

Note: CPR allows a maximum low side pressure at the compressor. Maximum only occurs during harvest.

Refrigerant Charge

- 1200 - 24 oz.; 1400 - 224 oz.

Compressor Amps 1200

- Single Phase - 10 to 14

Compressor Amps, 1400

- Single Phase - 8 to 12
- Three Phase - 6 to 10

Batch Weight: 1200 - 10 lb

Batch Weight - 1400 - 14 lb

Discharge Pressure Cut Out Switch

- Cuts Out at: 450 PSIG Resets at: 350 PSIG

**EH330, EH430 E and ECC Condensing Unit
Remote Low Side Cuber User Manual
Operational Characteristics 1800 lb system**

Cycle Times @ Condenser Temp/Cabinet Temp/Water Temp in degrees F.

	70/70/50	90/90/70	120/110/100
Freeze	10 to 14 minutes	12 to 16 minutes	17 to 19 minutes
Harvest	1 to 1.5 minutes	1 to 1.5 minutes	.5 to 1 minute

System Pressures @ Condenser Temp/Cabinet Temp/Water Temp in degrees F

	70/70/50	90/90/70	120/110/100
Suction at head, end of Freeze	25 to 35 PSIG	25 to 35 PSIG	25 to 35 PSIG
Suction at head, Harvest - Peak	80 to 100 PSIG	90 to 110 PSIG	140 to 160 PSIG
Discharge at Condensing Unit: Freeze - 5 minutes in	260 to 280 PSIG	260 to 280 PSIG	330 to 350 PSIG

Headmaster maintains a minimum discharge pressure during freeze of 217 PSIG + 25, -15 PSIG.

CPR Valve Setting: 55 - 60 PSIG.

Note: CPR allows a maximum low side pressure at the compressor. Maximum only occurs during harvest.

Refrigerant Charge

- 1800 - 232 oz

Compressor Amps, 1800

- Three Phase - 10 to 14

Batch Weight: 13 to 14 lb

Discharge Pressure Cut Out Switch

- Cuts Out at: 450 PSIG Resets at: 350 PSIG

EH330, EH430 E and ECC Condensing Unit

Remote Low Side Cuber User Manual

What to do before calling for service:

Reasons the machine might shut itself off:

- Lack of water.
- Freeze cycle takes too long.
- Harvest cycle takes too long.
- High discharge pressure.
- Ice level control set wrong

Check the following:

1. Has the water supply to the ice machine or building been shut off? If yes, the ice machine will automatically restart within 25 minutes after water begins to flow to it.
2. Has power been shut off to the ice machine? If yes, the ice machine will automatically restart when power is restored.
3. Is the curtain open because some ice is stuck under it? If so, remove the ice and the machine should start in a few minutes.
4. Check the adjustment knob of the ice level control. See page 19.

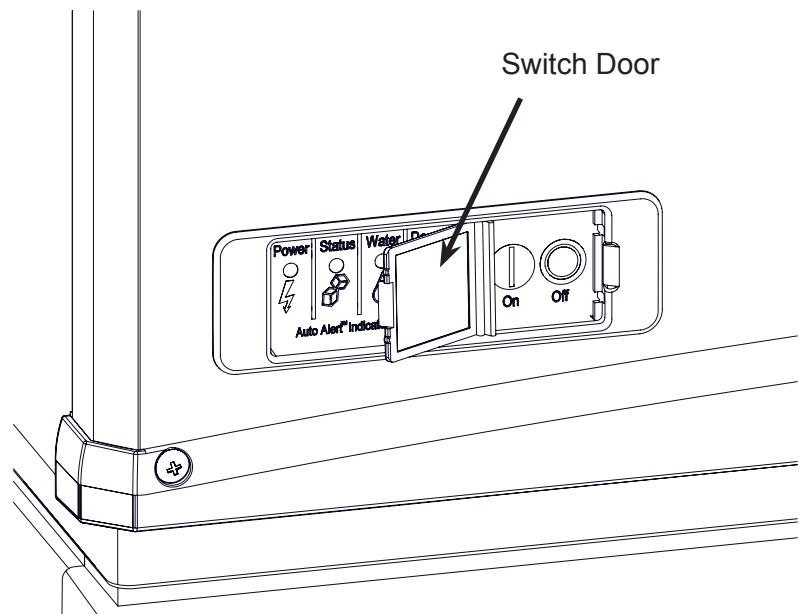
Note: Curtain can be removed & replaced anytime the machine is in a standby mode or when it is in a freeze cycle. However, removal of the curtain during freeze will result in water flowing into the bin. Removal of the curtain during harvest terminates harvest at that point and, if left off, will result in the machine shutting off.

To Manually Reset the machine.

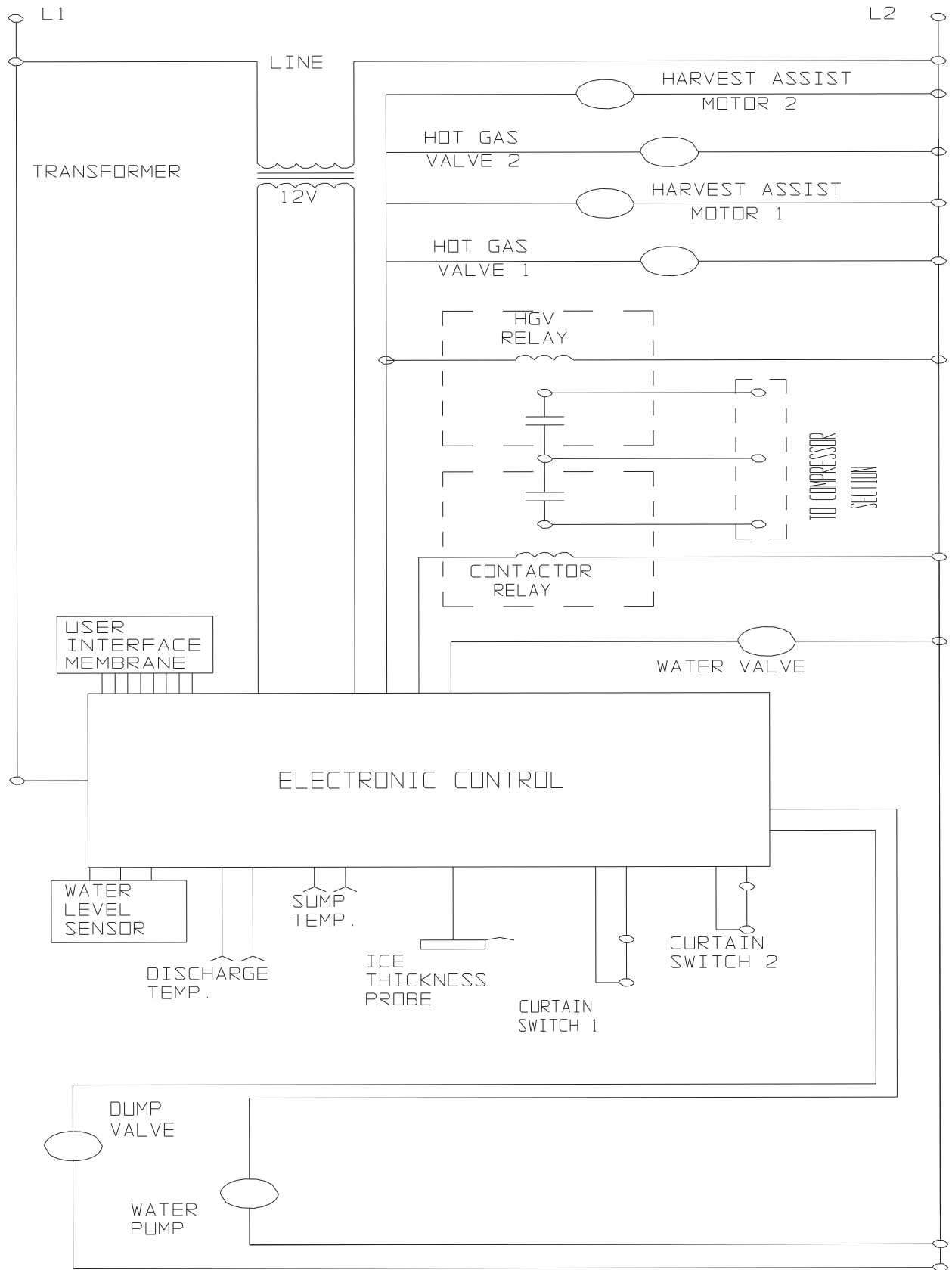
1. Open the switch door
2. Push and release the Off button.
3. Push and release the On button.

To Shut the Machine Off:

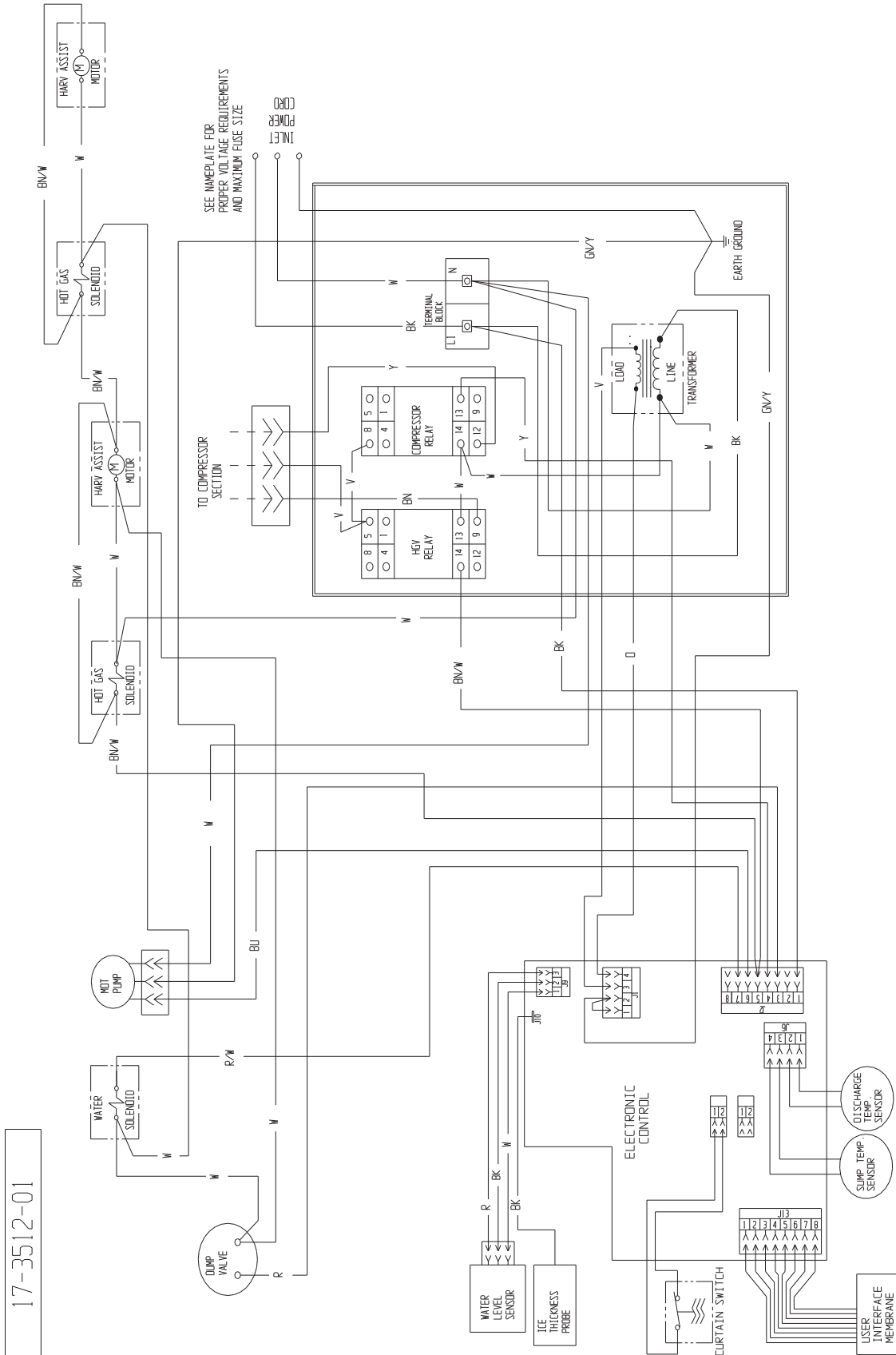
1. Push and hold the Off button for 3 seconds or until the machine stops.



**EH330, EH430 E and ECC Condensing Unit
Remote Low Side Cuber User Manual
EH330 or EH430 Schematic Diagram**



**EH330, EH430 E and ECC Condensing Unit
Remote Low Side Cuber User Manual
EH330 or EH430 Wiring Diagram**

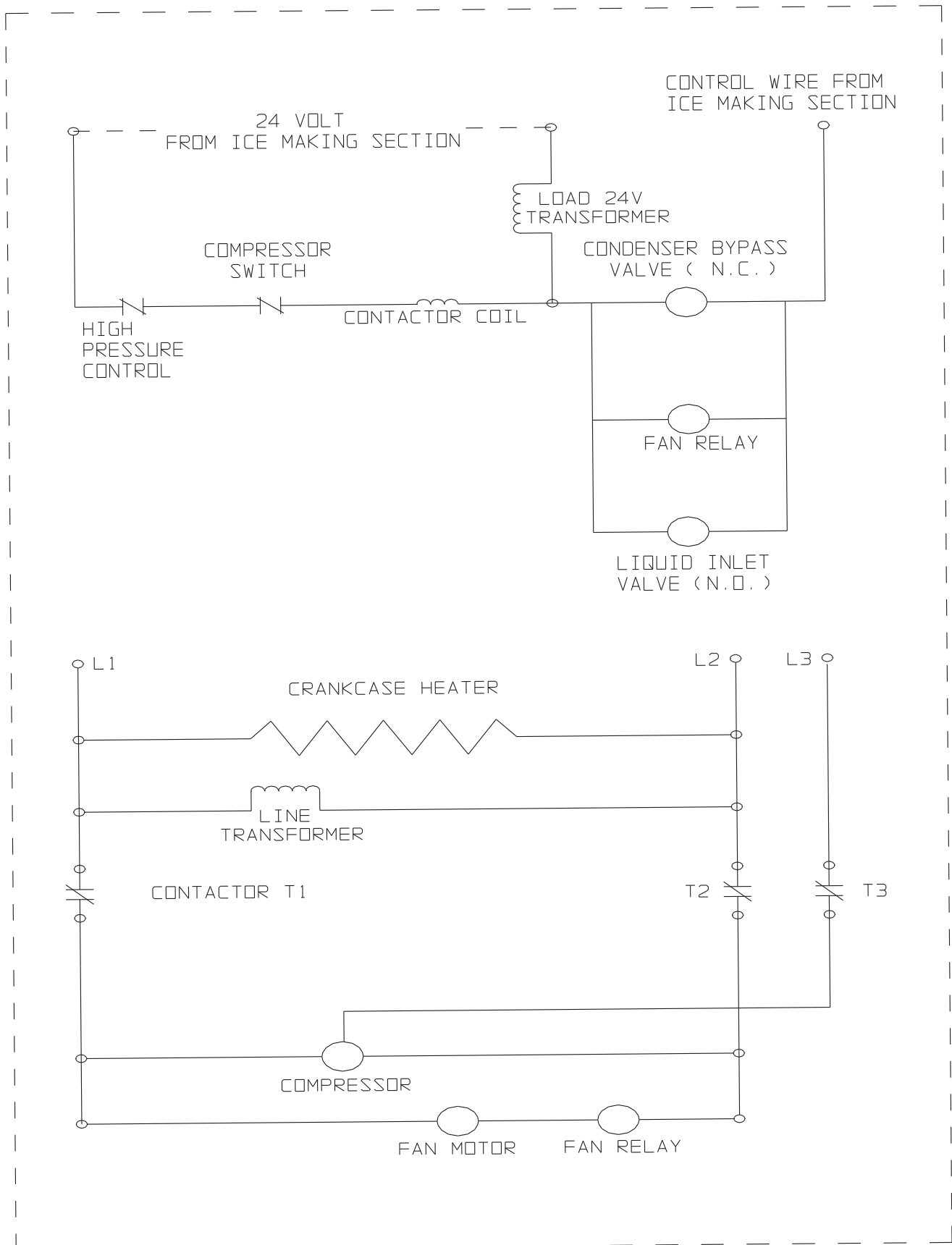


17-3512-01

CAUTION:
MORE THAN ONE DISCONNECT MEANS MAY BE
REQUIRED TO DISCONNECT ALL POWER TO THIS UNIT.

THIS UNIT MUST
BE GROUNDED.

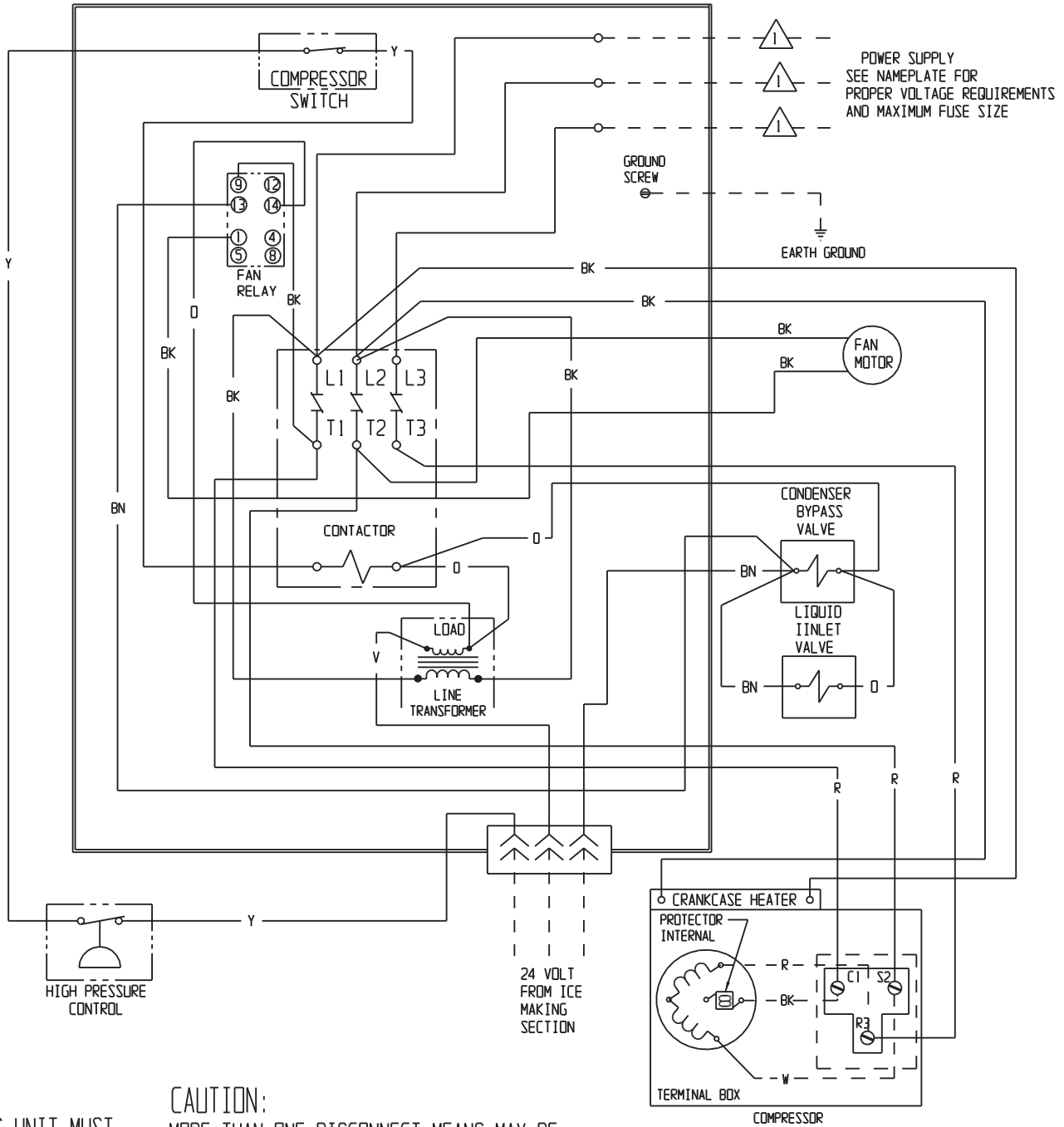
**EH330, EH430 E and ECC Condensing Unit
Remote Low Side Cuber User Manual
ECC 3 Phase Schematic Diagram**



EH330, EH430 E and ECC Condensing Unit
Remote Low Side Cuber User Manual
ECC 3 Phase Wiring Diagram

17-3652-01

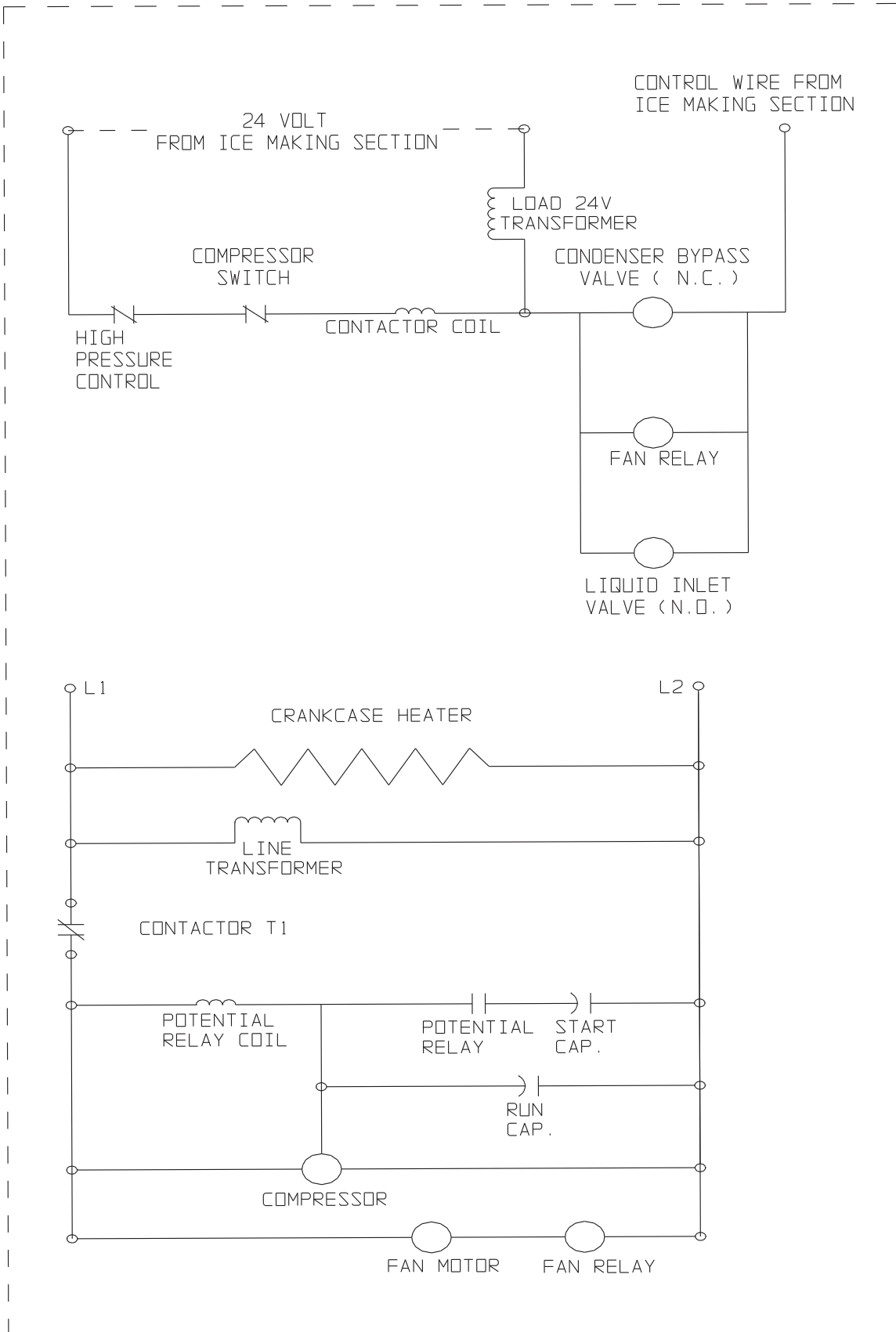
USE COPPER CONDUCTORS ONLY



THIS UNIT MUST
 BE GROUNDED.

CAUTION:
 MORE THAN ONE DISCONNECT MEANS MAY BE
 REQUIRED TO DISCONNECT ALL POWER TO THIS UNIT.

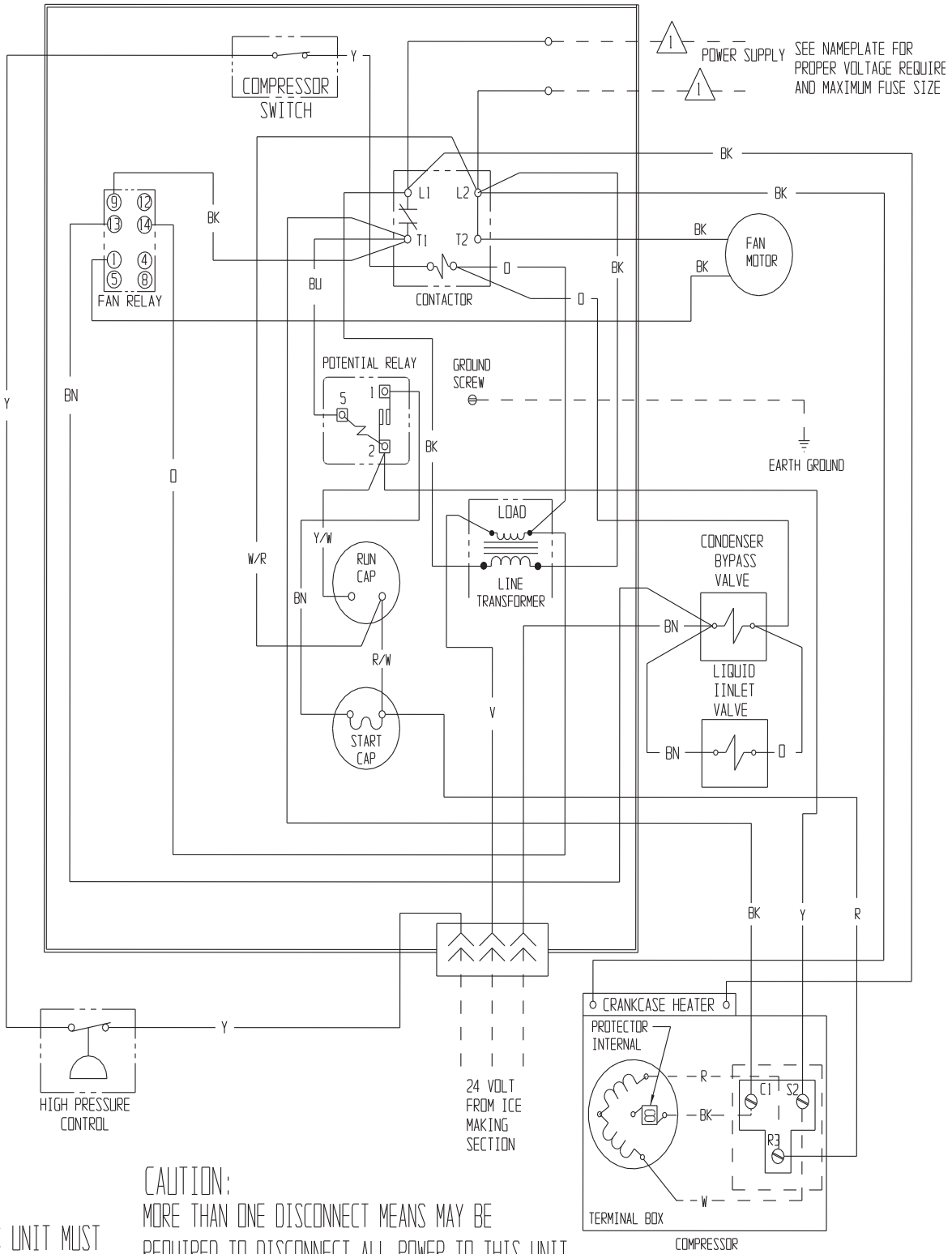
**EH330, EH430 E and ECC Condensing Unit
Remote Low Side Cuber User Manual
ECC 1 Phase Schematic Diagram**



EH330, EH430 E and ECC Condensing Unit
Remote Low Side Cuber User Manual
ECC 1 Phase Wiring Diagram

17-3653-01

USE COPPER CONDUCTORS ONLY



SCOTSMAN ICE SYSTEMS

101 Corporate Woods Parkway

Vernon Hills, IL 60061

www.scotsman-ice.com

1-800-726-8762