

# PRODIGY<sup>®</sup> ELITE

## MC0522 - 500lb Cube Ice Machine

### Prodigy ELITE<sup>®</sup> Modular Cube Ice Machine

#### ENHANCED RELIABILITY

##### Integrated ICELINQ<sup>®</sup> App

Provides real-time diagnostics, access to settings and guided cleanings. The app also contains specific information for convenient maintenance.

##### Upgraded Sensors

Ice thickness and water sensor design enhances cleanability and amplifies durability.

##### Preservation Mode

Maximizes uptime and notifies users of potential issues.

#### EASE OF USE

##### AutoAlert<sup>™</sup> Panel

The AutoAlert<sup>™</sup> panel displays relevant machine status that is visible across the room. Now featuring an external bin full indicator light and easier to read 16-segment display.

#### SANITARY DESIGN

##### Removable, External Air Filters

Speeds up cleaning process and reduces unit footprint.

##### WaterSense Adaptive Purge

Optimizes water consumption, keeping the machine cleaner and operating more efficiently.



Compatible with ICELINQ<sup>®</sup>



The ICELINQ<sup>®</sup> app simplifies interaction with machine via Bluetooth<sup>®</sup> connection



Intelligent sensor technology maximizes efficiency and lowers operating costs



### 24 Hour Volume Production

Air Cooled			Water Cooled		
70°F/21°C 50°F/10°C	Air Water	90°F/32°C 70°F/21°C	70°F/21°C 50°F/10°C	Air Water	90°F/32°C 70°F/21°C
475/216 lb/kg		340/154 lb/kg	480/218 lb/kg		409/186 lb/kg



### Modular Bin Options

Model Number*	Dimensions W" x D" x H"	Bin Application Capacity lb/kg	Finish	Ship Weight lb/kg
B322S	22 x 34 x 44**	370/168	Metallic	140/64



B322S

\* Contact Scotsman for bin top requirements.



### Cube Ice

Common ice form, ideal for mixed drinks.



Small Cube  
7/8" x 7/8" x 3/8"  
(2.22 x 2.22 x .95 cm)



Medium Cube  
7/8" x 7/8" x 7/8"  
(2.22 x 2.22 x 2.22 cm)



### Certification



ICELINQ



### Warranty

- 3 Years parts and labor on all components.
- 5 Years parts and labor on the evaporator.
- 5 Years parts on the compressor and condenser.
- Warranty valid in North, South & Central America for commercial installations.
- Contact factory for warranty in other regions.
- Residential Applications: 1 year parts and labor

# Scotsman<sup>®</sup>

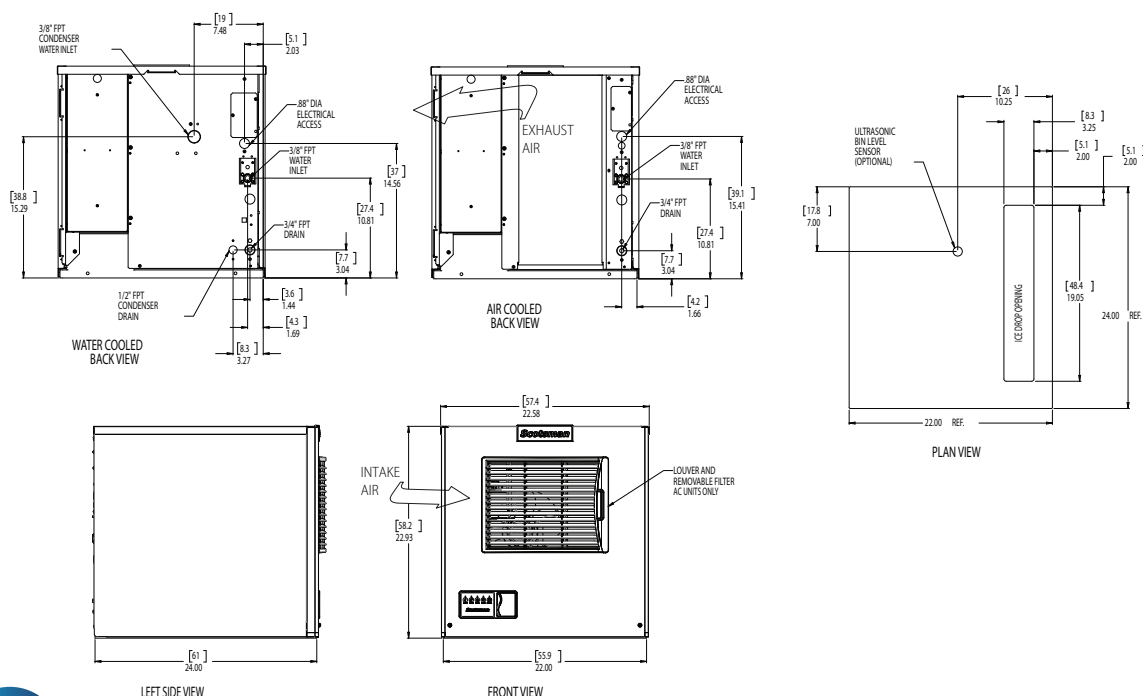
101 Corporate Woods Parkway, Vernon Hills, IL 60061

1-800-SCOTSMAN | Fax: 847-913-9844 | www.scotsman-ice.com | customer.relations@scotsman-ice.com

MC0522 - 500lb Cube Ice Machine

# MC0522 - 500lb Cube Ice Machine

Prodigy ELITE® Modular Cube Ice Machine



## Specifications

Model Number	Condenser Unit	Basic Electrical Volts/Hz/Phase	Max. Fuse Size or HACR Circuit Breaker (amps)	Circuit Wires	Min. Circuit Ampacity	Energy Consumption kWh/100 lb (45.4 kg) 90°F(32°C)/70°F(21°C)	Water Usage Gallons/100 lb (liters/45.4 kg)		
							Potable 90°F(32°C)/70°F(21°C)	Condenser 90°F(32°C)/70°F(21°C)	
medium	MC0522MA-1	Air	115/60/1	15	2	13.5	5.94	18.0/68.2	-
	MC0522MW-1	Water	115/60/1	15	2	11.9	4.48	21/79.5	152.0/575.8
	MC0522MA-32	Air	208-230/60/1	15	2	6.5	5.94	18.0/68.2	-
small	MC0522SA-1	Air	115/60/1	15	2	13.5	5.94	18.0/68.2	-
	MC0522SW-1	Water	115/60/1	15	2	11.9	4.48	21.0/79.5	152.0/575.8
	MC0522SA-32	Air	208-230/60/1	15	2	6.5	5.94	18/68.2	-
	MC0522SW-32	Water	208-230/60/1	15	2	5.6	4.48	21.0/79.5	152/575.8



## All Models

### Dimensions (W x D x H):

Unit: 22" x 24" x 23"  
(55.9 x 61.0 x 58.4 cm)

Shipping Carton: 26" x 28" x 29"  
(66 x 71.1 x 73.7 cm)

Shipping Weight: 160 lb / 73 kg      BTUs per hour: 7,900

Refrigerant: R-404A



## Accessories

Model Number	Description
KVS	Vari-Smart™ Ice Level Control - Precisely control ice levels using ultrasonic technology.
KBILC	Basic Ice Level Control - Thermistor technology, ideal for dispenser applications.
KSBU	Smart-Board™ Advanced Control - Use additional operational data for fast diagnosis.
KSBU-N	Smart-Board™ Advanced Control with Network - Network capable.
KPAS	Prodigy Advanced Sustainability Kit - Includes KVS and KSBU - N
XR-30	XSafe® Sanitation System for Modular Cube - Continuous operation, field-installed.

Scotsman recommends all ice machines have water filtration. See Scotsman water filter specification sheet for details.



## Operating Requirements

	Minimum	Maximum
Air Temperatures	50°F (10°C)	100°F (38°C)
Water Temperatures	40°F (4.4°C)	100°F (38°C)
Remote Cond. Temps	-20°F (-29°C)	120°F (49°C)
Potable Water Pressure	20 PSIG (1.4 bar)	80 PSIG (5.5 bar)
Cond. Water Pressure	20 PSIG (1.4 bar)	230 PSIG (16.1 bar)
Electrical Voltage	-5%	+10%

Specifications and design are subject to change without notice.