



# SLIM JIM® RECYCLING LIDS

Intuitive recycling lids with color-coding options ensure recyclables get into the right bins.

## Features and Benefits:

- Lids are available with the following lid openings:
  - Mixed Recycling
  - Paper
  - Bottles/Cans
  - Open Top
- Integrated billboard is sized to fit compatible waste stream labels
- Vertical lid orientation displays waste stream labels on slim side of container

## COLORS AVAILABLE

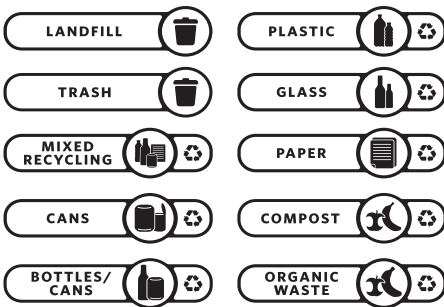
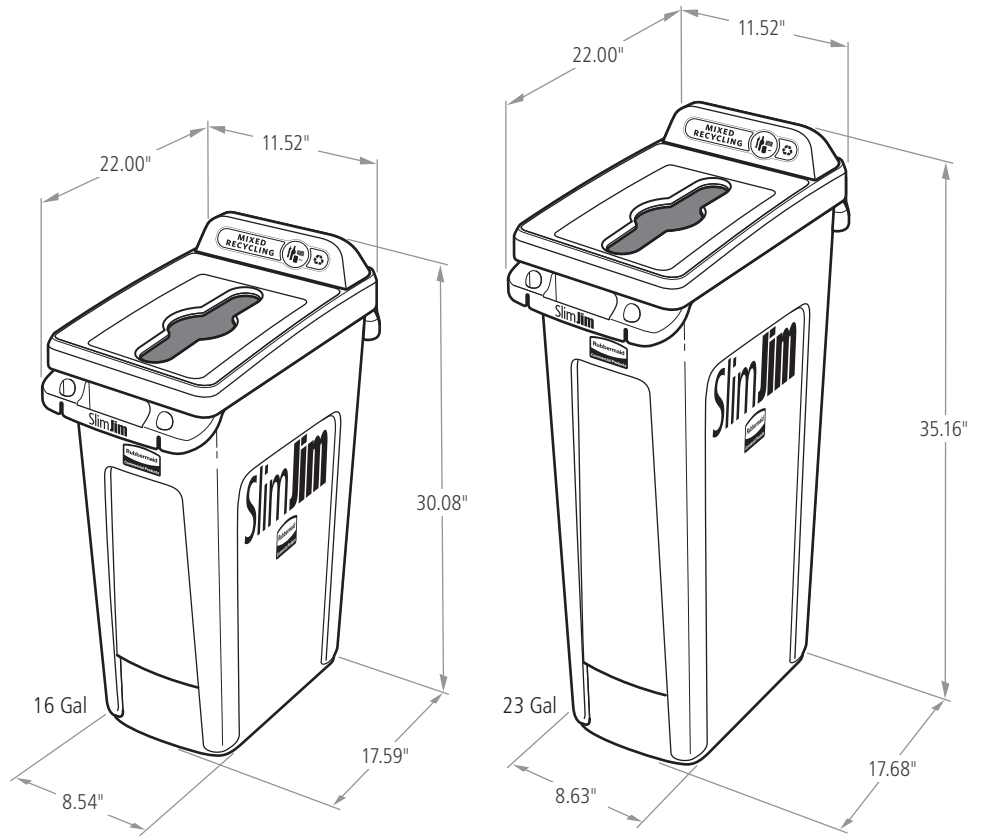
Red, Yellow, Green, Blue, Black, Brown

## Material Composition:

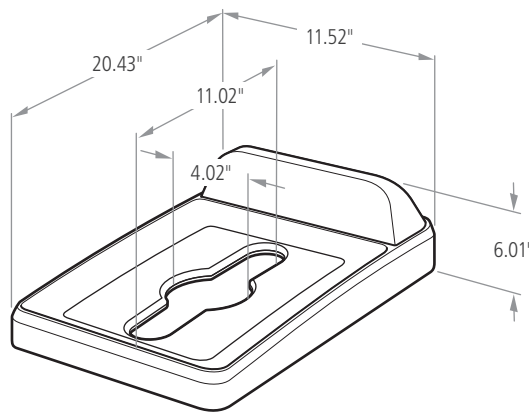
Polypropylene

## Compatibility:

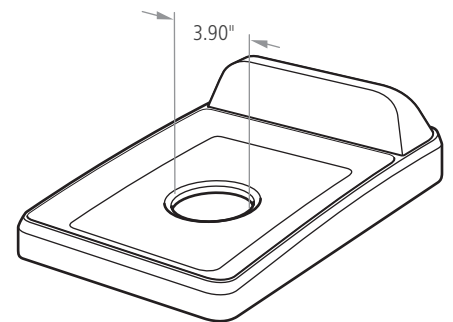
- 16 Gal and 23 Gal Slim Jim® containers
- Waste Stream Label Kit F – 2018391



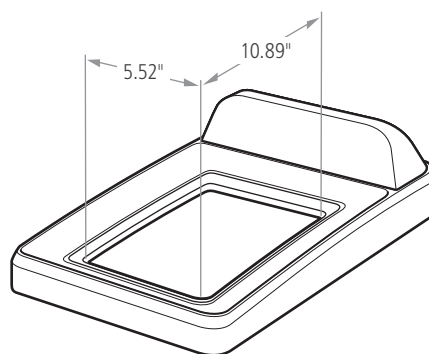
Waste Stream Label Kit F – 2018391



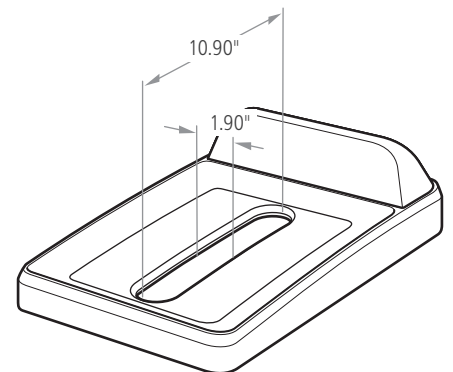
Mixed Recycling Lid



Bottles/Cans Lid



Open Top Lid



Paper Lid

# SLIM JIM® RECYCLING LIDS & CONTAINERS

SKU #	DESCRIPTION	COLOR	CAPACITY	LENGTH	WIDTH	HEIGHT	PACK SIZE
			GAL	IN	IN	IN	
2018218	SLIM JIM® VERTICAL LID – OPEN TOP	RED	–	20.43	11.52	6.01	4
2018219	SLIM JIM® VERTICAL LID – OPEN TOP	YELLOW	–	20.43	11.52	6.01	4
2018220	SLIM JIM® VERTICAL LID – OPEN TOP	GREEN	–	20.43	11.52	6.01	4
2018252	SLIM JIM® VERTICAL LID – OPEN TOP	BLUE	–	20.43	11.52	6.01	4
2018253	SLIM JIM® VERTICAL LID – OPEN TOP	BLACK	–	20.43	11.52	6.01	4
2018254	SLIM JIM® VERTICAL LID – OPEN TOP	BROWN	–	20.43	11.52	6.01	4
2018255	SLIM JIM® VERTICAL LID – BOTTLES/CANS	RED	–	20.43	11.52	6.01	4
2018256	SLIM JIM® VERTICAL LID – BOTTLES/CANS	YELLOW	–	20.43	11.52	6.01	4
2018257	SLIM JIM® VERTICAL LID – BOTTLES/CANS	GREEN	–	20.43	11.52	6.01	4
2018258	SLIM JIM® VERTICAL LID – BOTTLES/CANS	BLUE	–	20.43	11.52	6.01	4
2018259	SLIM JIM® VERTICAL LID – BOTTLES/CANS	BLACK	–	20.43	11.52	6.01	4
2018260	SLIM JIM® VERTICAL LID – BOTTLES/CANS	BROWN	–	20.43	11.52	6.01	4
2018272	SLIM JIM® VERTICAL LID – PAPER	RED	–	20.43	11.52	6.01	4
2018274	SLIM JIM® VERTICAL LID – PAPER	YELLOW	–	20.43	11.52	6.01	4
2018275	SLIM JIM® VERTICAL LID – PAPER	GREEN	–	20.43	11.52	6.01	4
2018276	SLIM JIM® VERTICAL LID – PAPER	BLUE	–	20.43	11.52	6.01	4
2018277	SLIM JIM® VERTICAL LID – PAPER	BLACK	–	20.43	11.52	6.01	4
2018278	SLIM JIM® VERTICAL LID – PAPER	BROWN	–	20.43	11.52	6.01	4
2018279	SLIM JIM® VERTICAL LID – MIXED RECYCLING	RED	–	20.43	11.52	6.01	4
2018280	SLIM JIM® VERTICAL LID – MIXED RECYCLING	YELLOW	–	20.43	11.52	6.01	4
2018301	SLIM JIM® VERTICAL LID – MIXED RECYCLING	GREEN	–	20.43	11.52	6.01	4
2018302	SLIM JIM® VERTICAL LID – MIXED RECYCLING	BLUE	–	20.43	11.52	6.01	4
2018303	SLIM JIM® VERTICAL LID – MIXED RECYCLING	BLACK	–	20.43	11.52	6.01	4
2018304	SLIM JIM® VERTICAL LID – MIXED RECYCLING	BROWN	–	20.43	11.52	6.01	4
2018391	WASTE STREAM LABEL KIT F	WHITE	–	7.50	1.93	0.063	1
2018370	SLIM JIM® CONTAINER	RED	16	22.00	11.00	25.00	4
2018371	SLIM JIM® CONTAINER	YELLOW	16	22.00	11.00	25.00	4
1955960	SLIM JIM® CONTAINER	GREEN	16	22.00	11.00	25.00	4
1971257	SLIM JIM® CONTAINER	BLUE	16	22.00	11.00	25.00	4
1955959	SLIM JIM® CONTAINER	BLACK	16	22.00	11.00	25.00	4
1956181	SLIM JIM® CONTAINER	BROWN	16	22.00	11.00	25.00	4
1956189	SLIM JIM® CONTAINER	RED	23	22.00	11.00	30.00	4
1956188	SLIM JIM® CONTAINER	YELLOW	23	22.00	11.00	30.00	4
1956186	SLIM JIM® CONTAINER	GREEN	23	22.00	11.00	30.00	4
1956185	SLIM JIM® CONTAINER	BLUE	23	22.00	11.00	30.00	4
FG354060BLA	SLIM JIM® CONTAINER	BLACK	23	22.00	11.00	30.00	4
1956187	SLIM JIM® CONTAINER	BROWN	23	22.00	11.00	30.00	4

