



SLIM JIM® RECYCLING STATION LID INSERTS

An adaptable recycling solution offers a front-of-house look with smart functionality.

Features and Benefits:

- Simple and durable execution. Components snap in place without the use of hardware
- Hinging lid inserts are optimized to fit any size recyclable

COLORS AVAILABLE

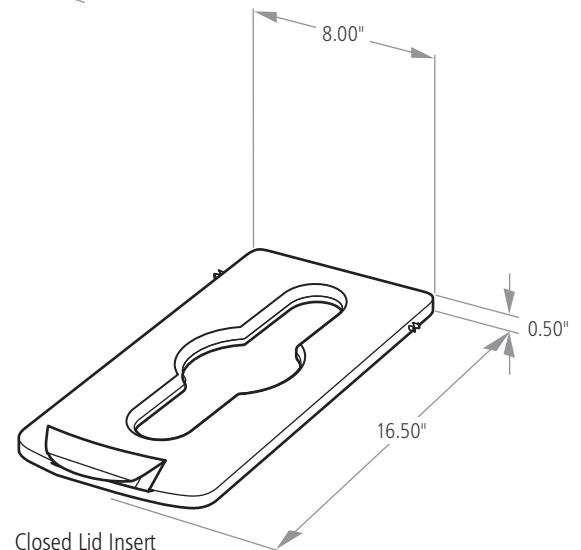
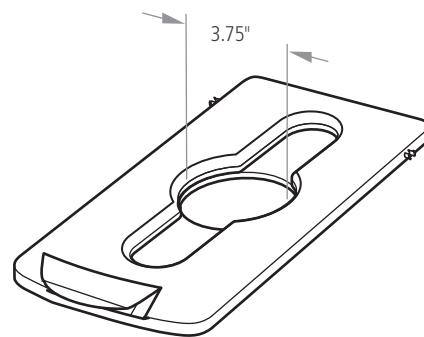
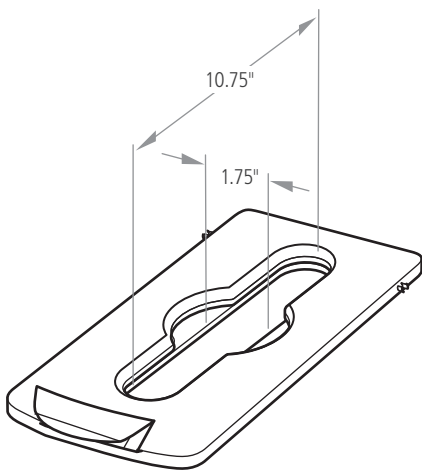
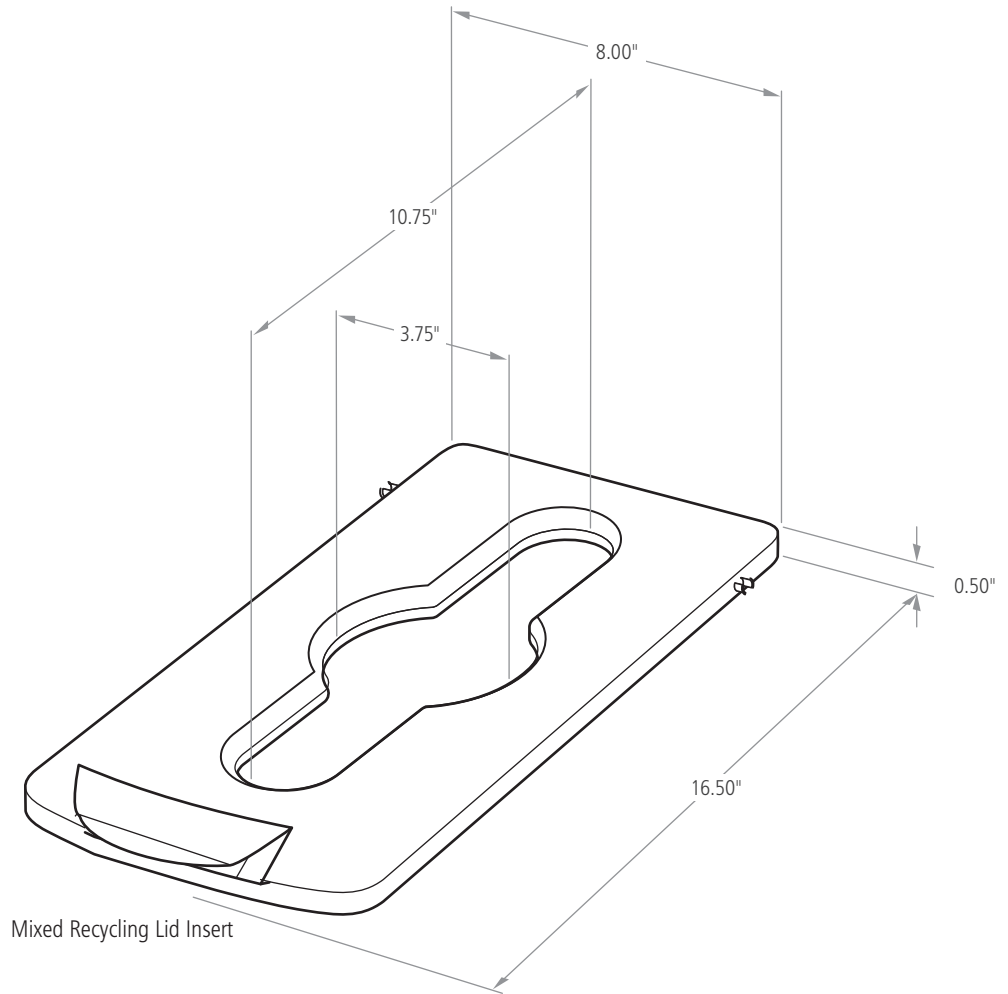
Red, Yellow, Green, Blue, Black, Dark Grey, Brown

Material Composition:

Polypropylene

Compatibility:

- Compatible with Slim Jim® Recycling Station Starter Kit and Slim Jim® Recycling Station Billboards



SLIM JIM® RECYCLING STATION LID INSERTS

SKU #	DESCRIPTION	COLOR	LENGTH	WIDTH	HEIGHT	PACK SIZE
			IN	IN	IN	
2007192	CLOSED LID INSERT	RED	16.50	8.00	0.50	1
2007193	BOTTLES/CANS LID INSERT	RED	16.50	8.00	0.50	1
2007194	PAPER SLOT LID INSERT	RED	16.50	8.00	0.50	1
2007195	MIXED RECYCLING LID INSERT	RED	16.50	8.00	0.50	1
2007200	CLOSED LID INSERT	YELLOW	16.50	8.00	0.50	1
2007881	BOTTLES/CANS LID INSERT	YELLOW	16.50	8.00	0.50	1
2007882	PAPER SLOT LID INSERT	YELLOW	16.50	8.00	0.50	1
2007883	MIXED RECYCLING LID INSERT	YELLOW	16.50	8.00	0.50	1
2007884	CLOSED LID INSERT	GREEN	16.50	8.00	0.50	1
2007885	BOTTLES/CANS LID INSERT	GREEN	16.50	8.00	0.50	1
2007886	PAPER SLOT LID INSERT	GREEN	16.50	8.00	0.50	1
2007887	MIXED RECYCLING LID INSERT	GREEN	16.50	8.00	0.50	1
2007888	CLOSED LID INSERT	BLUE	16.50	8.00	0.50	1
2007889	BOTTLES/CANS LID INSERT	BLUE	16.50	8.00	0.50	1
2007890	PAPER SLOT LID INSERT	BLUE	16.50	8.00	0.50	1
2007891	MIXED RECYCLING LID INSERT	BLUE	16.50	8.00	0.50	1
2007892	CLOSED LID INSERT	BLACK	16.50	8.00	0.50	1
2007893	BOTTLES/CANS LID INSERT	BLACK	16.50	8.00	0.50	1
2007894	PAPER SLOT LID INSERT	BLACK	16.50	8.00	0.50	1
2007895	MIXED RECYCLING LID INSERT	BLACK	16.50	8.00	0.50	1
2007896	CLOSED LID INSERT	DARK GREY	16.50	8.00	0.50	1
2007897	BOTTLES/CANS LID INSERT	DARK GREY	16.50	8.00	0.50	1
2007898	PAPER SLOT LID INSERT	DARK GREY	16.50	8.00	0.50	1
2007899	MIXED RECYCLING LID INSERT	DARK GREY	16.50	8.00	0.50	1
2007900	CLOSED LID INSERT	BROWN	16.50	8.00	0.50	1
2007902	BOTTLES/CANS LID INSERT	BROWN	16.50	8.00	0.50	1
2007903	PAPER SLOT LID INSERT	BROWN	16.50	8.00	0.50	1
2007904	MIXED RECYCLING LID INSERT	BROWN	16.50	8.00	0.50	1

