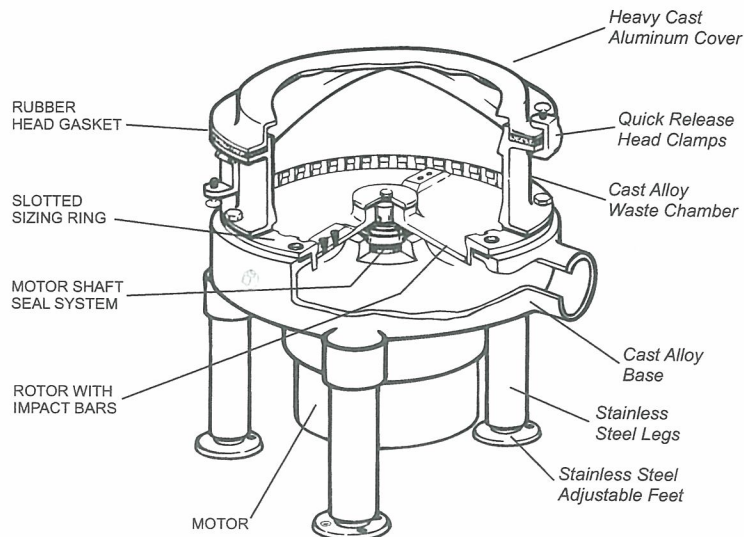


# WARRANTY

## THE RED GOAT EXCLUSIVE ONE AND TEN YEAR WARRANTY



### STANDARD ONE YEAR WARRANTY

All RED GOAT disposer components, shown above in **BLOCK** print, are guaranteed against all defects for the initial **ONE YEAR** period of use, as stated in the Warranty.

### RED GOAT TEN YEAR WARRANTY

All RED GOAT basic body components, shown above in *italicized* print, are guaranteed to remain serviceable for at least **TEN YEARS**, as stated in the Warranty.

All products (and parts) manufactured and sold by RED GOAT DISPOSERS (the "Manufacturer") are warranted to be free from defects in material and workmanship for a period of one year following the date of its initial installation or eighteen months from the date of shipment from the factory or factory warehouse, whichever expires first. Notice of a claim under this Warranty must be received by the Manufacturer at its offices before the expiration of such period in order for Warranty coverage of **PARTS AND LABOR** to apply.

If notice of a claim is timely made, the Manufacturer will repair or replace the product or part which is defective either at the user's facility or at the Manufacturer's plant, as the Manufacturer shall decide. In addition, the Manufacturer warrants that the basic body components of every Red Goat Disposer will remain serviceable for a period of at least **TEN YEARS**. Should any of these basic body components require replacement during the first ten years of normal usage following installation the Manufacturer will furnish new duplicate parts to the original user at no charge. Manufacturer cannot warrant products returned to the factory not properly packaged, causing additional damage.

This Warranty shall not apply to the extent that products or parts have been used other than in conformance with operating and maintenance instructions, subjected to misuse or abuse or damage by accident, act of God, abnormal use or stress or any other matter unrelated to the Manufacturer, and beyond its reasonable control or otherwise altered or modified by third parties. In addition, this Warranty does not cover normal wear items, such as sizing rings, impact bars and rotors. **THIS WARRANTY IS EXCLUSIVE AND IS IN LIEU OF ALL OTHER WARRANTIES, EXPRESSED AND IMPLIED, INCLUDING THE IMPLIED WARRANTIES OF MERCHANTABILITY AND FITNESS FOR PURPOSE.** In no event shall the Manufacturer be liable for loss of use, revenue or profit or for indirect or consequential damages.