



SERVING STATIONS

DROP-IN COLD PAN MODELS 9700IC

Drop-in ice-cooled display pan with one piece stainless steel interior and top. 1" drain, gate valve, and perforated strainer plates provided.

SHORT FORM SPEC: Drop-In Cold Food Unit, iced cold pan, 6 pan sizes, insulated pan, stainless steel inner liner and top, corrosion resistant steel exterior. 1" drain, gate valve, and perforated strainer plates provided. NSF, Made in USA.

AVAILABLE MODELS:

- 9718IC
- 9728IC
- 9743IC
- 9757IC
- 9772IC
- 9786IC

STANDARD FEATURES:

- All stainless steel top and interior
- 1" drain and gate valve provided
- Stainless, perforated bottom strainer plates provided
- Foamed in place, "CFC free" urethane insulation for ice-cooled display
- Custom sizes available

UNIT EXTERIOR: Top and covered corner interior to be constructed of 18 gauge stainless steel. Exterior body to be corrosion resistant steel. 1" high perforated stainless steel bottom strainer plates provided. Studs fitted to each corner for drawing unit down tight against countertop.

UNIT INTERIOR: Interior fitted with 1" drain supplied with gate valve. Insulated with CFC free, foamed in place polyurethane.

ORIGIN OF MANUFACTURE:

Designed and manufactured in the United States.



PROJECT NAME:	
LOCATION:	
ITEM NO:	
QTY:	
MODEL NO:	
AIA NO:	
SIS NO:	
CSI SECTION:	11400



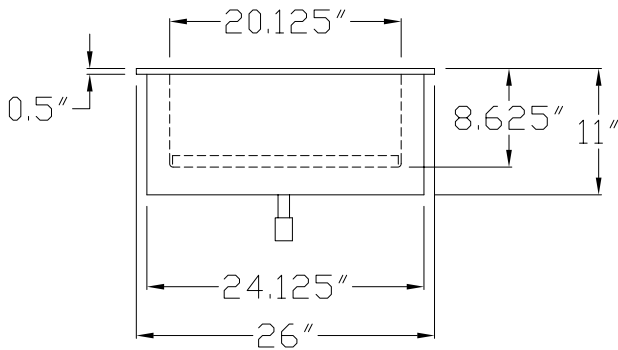
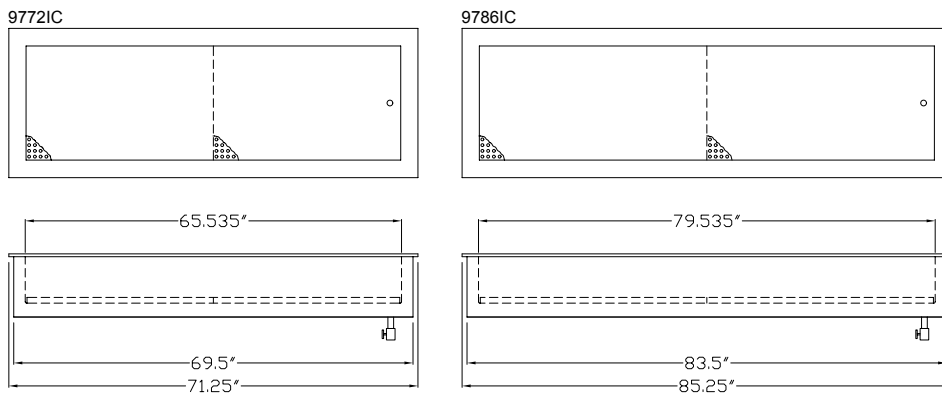
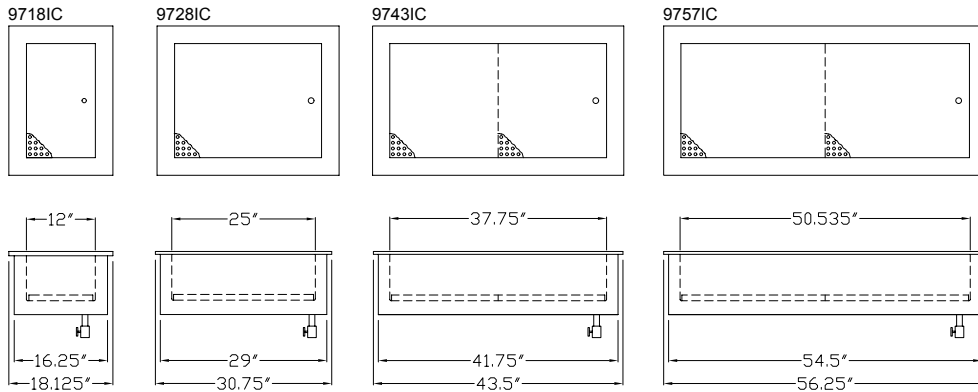
9757IC shown

OPTIONS/ACCESSORIES:

- Adaptor Bars
- Custom Size

ADDITIONAL RESOURCES:

- [Request A Quote](#)
- [Sales Tools](#)
- [Find A Rep](#)



Model	12"x20" Pan Capacity	Length	Width	Height*	Cut Out Size		Ship Wt.
					Length	Width	
9718IC	1	18.125"	26"	11"	16.75"	24.625"	65
9728IC	2	30.75"	26"	11"	29.5"	24.625"	85
9743IC	3	43.5"	26"	11"	42.25"	24.625"	105
9757IC	4	56.25"	26"	11"	55"	24.625"	125
9772IC	5	71.25"	26"	11"	70"	24.625"	145
9786IC	6	85.25"	26"	11"	84"	24.625"	165

*for gate valve, add an additional 3"