



SERVING STATIONS

DROP-IN GLASS FILLER MODEL 9530

10" x 10" countertop water station with glass filler and plated wire drain gate.

SHORT FORM SPEC: Randell 9530 drop-in water station with drain. Top is one piece die formed 20 gauge stainless steel with glass filler, water trough with plated wire grate and 5/8" drain connection. NSF, Made in USA.

SPECIFICATIONS: 10" long x 10" deep. Top is one piece of die-stamped 20 gauge stainless steel. Equipped with glass filler. Plated wire grate supplied in drain trough with 5/8" drain connection. For counter top installation with threaded studs installed for secure field mounting.

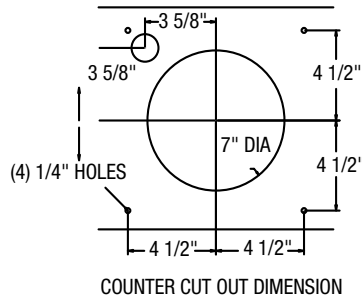
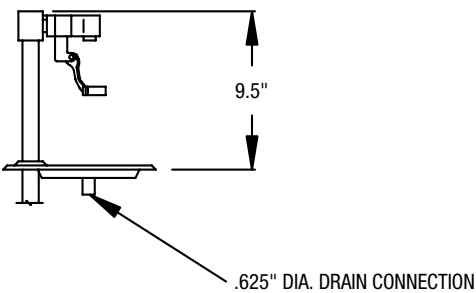
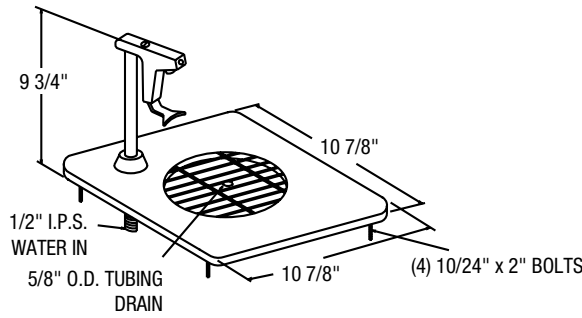
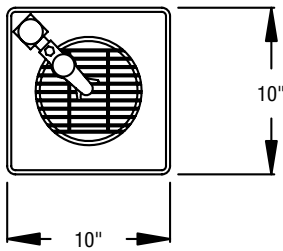
ORIGIN OF MANUFACTURE:
Designed and manufactured in the United States.

Certifications:

PROJECT NAME:	
LOCATION:	
ITEM NO:	
QTY:	
MODEL NO:	
AIA NO:	
SIS NO:	
CSI SECTION:	11400



9530 shown



ADDITIONAL RESOURCES:

[Request A Quote](#)

[Sales Tools](#)

[Find A Rep](#)



888-994-7636, unifiedbrands.net

© 2022 Unified Brands. All Rights Reserved. Information known to be correct at time of creation. Please reference our website for the most updated product information and specifications.

Serving Stations
PPSPEC0069 RevB
06/22