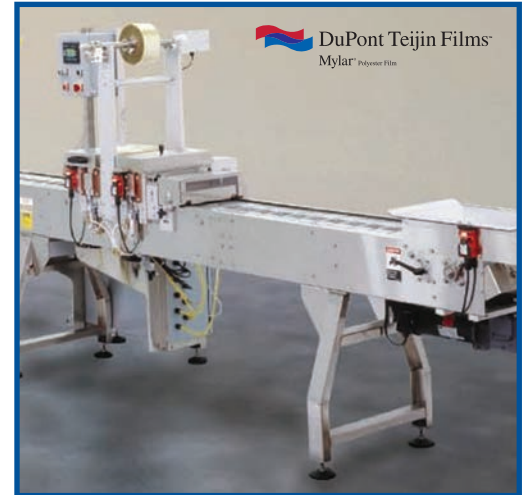




## Speedseal® LX

### Key Features:

- Custom machines available to meet special packaging requirements.
- Color touch screen operator interface (HMI).
- Designed to use custom-printed registered, random repeat or unprinted film lidding.
- For use with flat-flanged plastic and paperboard trays.
- Quick and easily interchangeable tray carriers for various tray sizes.
- Seals packages up to 500 inches per minute.\*
- Efficient continuous motion sealing ensures high quality and consistently sealed packages.
- Speed and temperature controls are easily adjustable.
- Streamlined design makes for easy integration into food production/packaging line.
- Stainless steel and anodized aluminum construction.
- Dual lane option available.



### Benefits:

- Custom-printed and die-cut lidded trays to maximize product merchandising.
- Lowers packaging costs (film lidding vs snap-cover domes).
- Full turnkey packages available.

\* to calculate speed:  $500''/\text{length of tray through machine} = \text{trays/minute}$

Mylar® is a registered trademark of Dupont Teijin Films for its polyester film. Only DuPont Teijin Films makes Mylar®.

**Manufactured in the U.S.A.**



# Speedseal® LX

## SPECIFICATIONS:

### Construction:

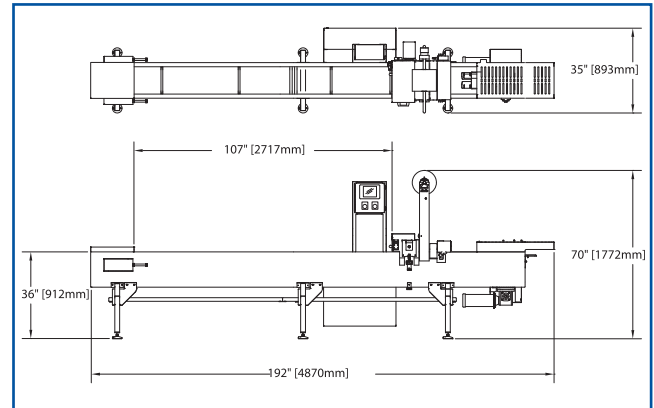
Model 54-1000 series Trayveyor features stainless steel frame and base construction for low maintenance and ease of cleaning. A PLC precisely controls the sealer for maximum output.

### Model 54-1000 series:

Trayveyor is designed for flat-flanged plastic, and paperboard trays. The tray carriers are made of anodized aluminum for durability.

- Overall Length: . . . . .192"
- Overall Width: . . . . .35"
- Overall Operating Height: . . . . .36"
- Overall Height: . . . . .70"
- Usable Infeed Length: . . . . . 107"

*Dimensions are estimated, subject to change based on custom options.*



### Electrical:

208 VAC, 60Hz, 3PH, 30 AMPS

\*Other electrics available

### Air Supply:

80 psi

### Maximum tray dimensions:

8.5" Wide x minimum of 3.5" - up to 14" Long (in 1/2" increments) x 3" Deep

Optional 12" roller will seal trays 10" wide.

### Maximum printed/unprinted roll diameter:

10". Printed/unprinted roll core diameter 3".

### Accessory Equipment:

- Gas Flush
- Automatic Tray Denester
- Check Weigher
- Infeed/Outfeed Conveyors
- Depositor
- Date Coder
- X-ray
- Metal Detector
- In-Line Label Printers
- Load Shelves
- Service/Maintenance Agreement
- Removable Catch Pans
- Rotary Tray Accumulator
- Printed film-to-tray registration
- In-line Film Die-cut

Engineered by: Calibre Products LLC

The information contained herein is correct to the best of our knowledge. The recommendations or suggestions are made without guarantee or representation as to results.

Above specifications subject to change without notice.

**Manufactured in the U.S.A.**