



LEGEND™

Heavy Duty Refrigerated Glycol Prep Pan Holding Table

Item No. _____

Project _____

Quantity _____



Model PCM-18-SC shown with optional casters

SHORT/BID SPECIFICATION

Prep Pan Holding Table shall be a Montague Legend Refrigerated Glycol Holding table:

- PCM- 18-__** [Specify: **R** = Remote Refrigeration (condensing unit by others) or **SC** = Self Contained Refrigeration Package]
- PCM- 36-__** [Specify: **R** = Remote Refrigeration (condensing unit by others) or **SC** = Self Contained Refrigeration Package]

...heavy-duty high performance refrigerator base with a glycol cooled rail, comprised of 304 S/S wrapped refrigeration lines immersed in glycol reservoir cooling for efficient proximity cooling and temperature transfer, 304 Stainless steel front, sides, top, bottom, back, and interior, top rail provides flexibility, accommodating various pan configurations, Digital Thermometer, with 2" (51mm) thick foamed in place, environmentally friendly, Non GWP, Non ODP, Kyoto Protocol compliant, polyurethane foam and 6" (152mm) high stainless steel height-adjustable legs standard; plus all the features listed and options/accessories checked:

PREP PAN HOLDING TABLE PACKAGE FEATURES:

- SC Self-Contained Model:**
 - Energy efficient hermetic compressor/condenser system
 - Condenser coil screen-removable/washable
 - Digital thermostat temperature controlled
 - Coated evaporator coil powered by Turbo Coil
 - 6' (1829mm) power cord with grounded NEMA plug
 - Three year standard parts and labor warranty
 - Five year parts and labor warranty on Compressor
 - Five year parts and labor warranty on Turbo-Coil coated evaporated coil
- R Remote Model**
 - Fully assembled, expansion valve, solenoid and thermostat
 - Digital thermostat temperature controlled
 - Three Year standard parts and labor warranty
 - 6" (153mm) power leads with field access junction box
 - Refrigeration, drain line and electric connection will be stubbed out as specified: **LE** left-end, **RE** right-end, **BL** back,

Self-Contained MODEL GUIDE			
✓ Model Number	Unit Width Inches (mm)	Total 1/3 Pans	
PCM-18-SC	18" (457)	3	
PCM-36-SC	36" (914)	6	
Remote Refrigeration MODEL GUIDE			
✓ Model Number	Unit Width Inches (mm)	Total 1/3 Pans	
PCM-18-R	18" (457)	3	
PCM-36-R	36" (914)	6	

COLD RAIL SYSTEM FEATURES:

- 304 Stainless Steel Exterior Top, Sides and Front
- 304 S/S wrapped refrigeration lines immersed in glycol reservoir cooling for efficient proximity cooling and temperature transfer
- Accommodates different pan configurations

STANDARD BASE CONSTRUCTION:

- All welded construction
- 304 Stainless Steel front, top & sides, back & bottom
- Digital thermometer
- Interior liner is stainless steel with 1/4" (6mm) radius corners
- 2" (51mm) thick environmentally friendly, Non Ozone Depletion Potential, Non Global Warming Potential, high density polyurethane foam insulation
- 6" (152mm) height-adjustable stainless steel legs standard

AGENCY APPROVALS

- UL Classified EPH-STD NSF-7
- UL Listed



RF-7 [Rev.1/18]

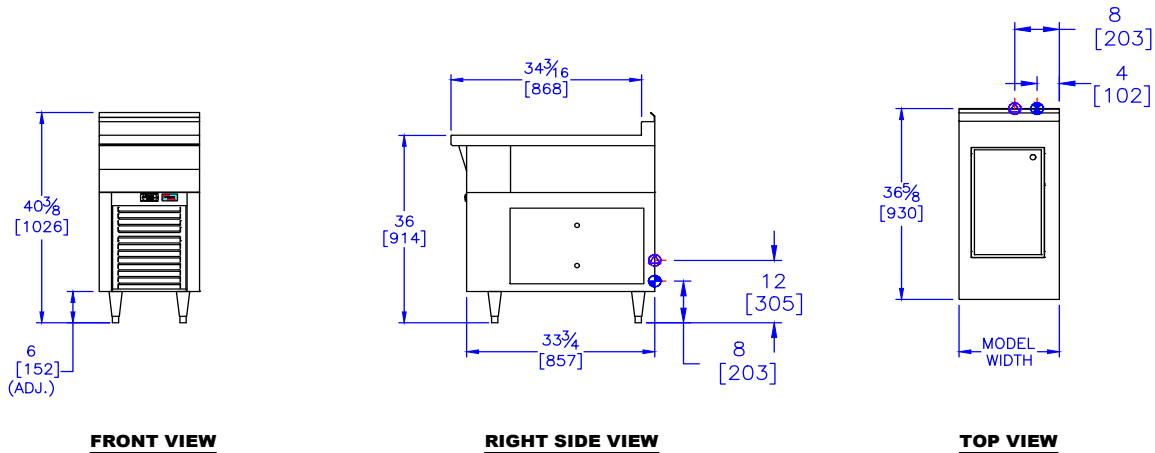
LEGEND™ Heavy Duty Refrigerated Glycol Prep Pan Holding Table

Item No. _____

Project _____

Quantity _____

Dimensions in brackets are millimeters



OPTIONS GUIDE:

- 6" (152mm) diameter casters
- Curb mounting [Consult Factory]

Custom Options (Consult Factory):

- Custom sizes & configurations
- Left and Right side heat shields
- Drop-in-place insulated night cover

Remote Refrigerants:

- R-404A
- Other, consult factory

INSTALLATION REQUIREMENTS & SHIPPING INFORMATION

1. Install in accordance to local codes
2. Unit to be leveled and plumbed at installation for proper drain function.

Minimum Clearances	Always Follow clearances of mounted equipment
From Back Wall	4" (101mm)
Right Side of SC Models	0"***

***Consult Factory for custom installations and specific model configurations

Product to be pre-chilled to a minimum of 38°F. prior to use in this supplemental-cooking-equipment holding cabinet.
 Six inch deep prep pans recommended for optimal performance

Model:	Electrical Requirements							Shipping Weight	Shipping Class	Cube (Crated) ft ³ /m ³
	Length Inches (mm)	HP*	Voltage	Phase	Amps	NEMA Plug	BTU's			
PMC-18-R	18" (457)	—	115	1	1.2	N/A	1020	200 lbs (91 kg)	85	15/.4
PMC-36-R	36" (914)	—	115	1	1.2	N/A	1460	250 lbs (113kg)	85	32/.9
PMC-18-SC	18" (457)	1/3	115	1	6.8	5-15P	860	300 lbs (136 kg)	85	15/.4
PMC-36-SC	36" (914)	1/3	115	1	6.8	5-15P	1240	390lbs(177kg)	85	32.9

*HP = Motor Horsepower

Due to continuous product improvements, specifications are subject to change without notice.



THE MONTAGUE COMPANY

1830 Stearman Avenue, Hayward, CA 94545
 800 345-1830 · Fax: 510 785-3342
 www.montaguecompany.com



RF-7 [Rev.1/18]