

Technical data sheet for

## E31D4 ON THE SK2731U STAND

Half Size Digital / Electric Convection Oven  
on a Stainless Steel Stand



### E31D4

Unit shall be a Moffat electrically heated Turbofan convection oven E.T.L. listed and NSF-4 listed. The oven shall have a one piece porcelain enameled oven chamber, stainless top and sides and safe touch vented easy clean side hinged door that offers field reversible hinging. Oven shall have capacity for four half size sheet pans and include a top broiling oven element and broil operating mode. The oven shall be controlled by an electronic control having separate digital displays and adjusting knobs for time and temperature functions. The oven control shall allow both manual and programmed operating modes and have separate control keys for selection of Broil mode, oven light function and timer operation. The unit shall include a halogen oven lamp. Oven shall be able to be bench mounted on 3" / 76mm feet or mounted on oven stand model SK2731U. Oven shall be fitted with a NEMA 6-15P cordset. Unit shall be supplied in 100% recyclable shipping packaging.

### SK2731U

Unit shall be a Moffat Turbofan stainless steel oven stand NSF-4 listed. The stand shall be constructed from stainless steel tube with castors, with front castors having dual swivel and wheel locks. It shall be fitted with 6 tray runners suitable for up to 12 half size sheet pans or 6 full size sheet pans. The stand shall be fully compatible with, and support, Turbofan Convection Oven models E27, E28 and E31. Unit shall be supplied in 100% recyclable shipping packaging.

### STANDARD FEATURES

- 4 half size sheet pan or hotel pan capacity
- 3½" / 80mm tray spacing
- Compact 24¼" / 616mm depth x 31⅞" / 810mm width
- 15A plug-in (NEMA 6-15P cordset fitted)
- Digital display Time and Temperature Controls
- Large easy view ¾" / 20mm high displays
- Electronic thermostat control
- Electronic timer with countdown or time count modes
- Programmable for up to 20 programs
- Broil mode
- Single direction low-velocity fan
- 2.8kW heating in bake mode / 2.0kW grill-broil elements
- Safe-Touch vented side hinged door (standard LH hinge).  
Optional RH hinge (field convertible)
- Stay-Cool door handle
- Porcelain enameled oven chamber
- Plug-in continuous oven door seal
- Halogen oven lamp
- Anti-skid 2" / 50mm dia. 3" / 76mm high adjustable stainless steel feet
- 4 oven wire racks supplied
- 100% recyclable packaging

### ACCESSORIES

- Turbofan SK2731U Oven Stand

### E31D4 Half Size Digital / Electric Convection Oven on a Stainless Steel Stand

#### CONSTRUCTION

Porcelain enameled fully welded oven chamber  
 Stainless steel front, sides and top exterior  
 Stainless steel oven fan baffle and oven vent  
 Removable 4 position chrome plated wire side racks  
 Oven grids chrome plated wire (4 supplied)  
 Stainless steel frame side hinged door  
 0.2" / 5mm thick door outer glass  
 0.2" / 5mm thick low energy loss door inner glass  
 Full stainless steel welded door handle  
 Stainless steel control panel  
 Aluminized coated steel base and rear panels

#### CONTROLS

Electronic controls with Digital Time and Temperature display,  
 Manual or Program modes  
 Large ¾" / 20mm high LED displays  
 Two individual time and temperature setting control knobs  
 6 function keys  
 ON/OFF key  
 Oven Lamp key (toggle or auto-time off mode settings)  
 Timer Start/Stop key  
 Broil/Grill mode quick select key  
 Programs select key  
 Actual temperature display key  
 Adjustable buzzer/alarm volume  
 Thermostat range 150-500°F / 50-260°C  
 Timer range from 180 minutes in countdown mode  
 Timer range up to 999 minutes in time count mode for holding,  
 slow cooking  
 Over-temperature safety cut-out

#### CLEANING

Stainless steel top and sides continuous exterior panel  
 Porcelain enameled oven chamber  
 Fully removable chrome plated oven side racks  
 Removable porcelain enameled oven fan baffle  
 Easy clean door system with hinge out door inner glass (no tools required)  
 Removable plug-in oven door seal (no tools required)  
 3" / 76mm high stainless steel feet for easy access underside

#### SPECIFICATIONS

Electrical Requirements  
 208V, 60Hz, 1-phase, 2.9kW, 13.9A  
 220-240V, 60Hz, 1-phase, 3.1W, 12.9A  
 NEMA 6-15P cordset fitted

#### External Dimensions

Width 31 7/8" / 810mm  
 Height 24 5/8" / 625mm including 3" / 76mm feet  
 Depth 24 1/4" / 616mm



#### Oven Internal Dimensions

Width 22 3/4" / 565mm  
 Height 16 3/4" / 425mm  
 Depth 15 1/2" / 395mm  
 Volume 3.2ft³ / 0.09m³

#### Oven Rack Dimensions

Width 21 1/4" / 540mm  
 Depth 14 1/2" / 370mm

#### Nett Weight (E31D4)

119lbs / 53.8kg

#### Packing Data (E31D4)

150lbs / 68.2kg  
 15.9 ft³ / 0.45m³  
 Width 29 1/8" / 740mm  
 Height 28 3/8" / 720mm  
 Depth 32 7/8" / 835mm

### SK2731U Stainless Steel Stand

All stainless steel welded frame oven stand for Turbofan E27, E28 and E31 Series model ovens  
 6 position tray runners standard  
 3" / 76mm diameter wheel swivel castors standard with 2 front castors with dual swivel and wheel  
 Welded 1 1/2" and 1 1/4" square tube front and rear frames  
 Welded rack supports/side frames  
 4 dia. 3" / 76mm swivel castors with 2 front castors dual wheel and swivel lock  
 Top frame oven supports suit Turbofan E27, E28 and E31 Series oven mounting  
 Supplied CKD for assembly on site

#### External Dimensions (SK2731U Oven Stand)

Width 31 7/8" / 810mm  
 Height 34 5/8" / 880mm  
 Depth 25 5/8" / 650mm

#### Nett Weight (SK2731U Oven Stand)

43lbs / 19.5kg

#### Packing Data (SK2731U Oven Stand)

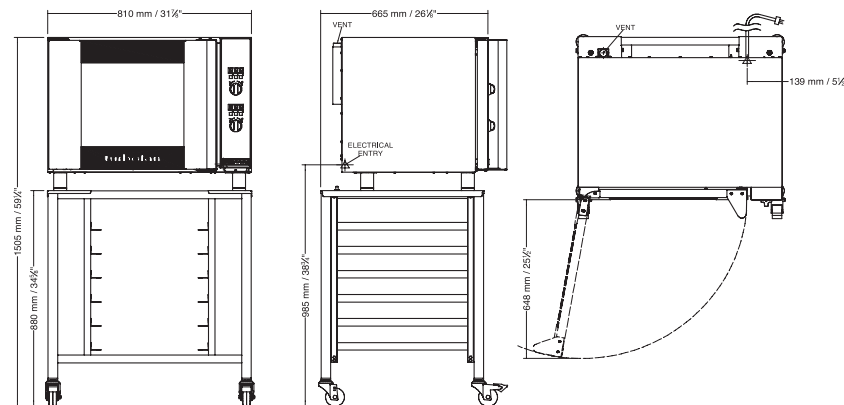
49lbs / 22kg  
 3.9ft³ / 0.11m³  
 Width 32 5/8" / 830mm  
 Height 35 1/2" / 900mm  
 Depth 6" / 152mm

#### INSTALLATION CLEARANCES

Rear 1" / 25mm  
 LH Side 1" / 25mm  
 RH Side 1" / 25mm

#### CLEARANCE FROM SOURCES OF HEAT

A minimum distance of 12" / 300mm from the appliance sides is required



www.moffatusa.com  
 www.turbofanoven.com

#### U.S.A.

Moffat Inc  
 3760 Industrial Drive, Suite B  
 Winston-Salem  
 NC 27105-2637  
 Ph Toll Free 1-800-551 8795  
 Ph 336-661 0257  
 Fax 336-661 9546  
 Email sales@moffat.com  
 www.moffatusa.com

Manufactured by:  
 Moffat Limited  
 45 Illinois Drive, Izone Business Hub  
 Rolleston 7675, New Zealand



Designed and manufactured by



#### ISO9001

All Turbofan products are designed and manufactured by Moffat using the internationally recognised ISO9001 quality management system, covering design, manufacture and final inspection, ensuring consistent high quality at all times.

In line with policy to continually develop and improve its products, Moffat Limited reserves the right to change specifications and design without notice.

© Copyright Moffat Ltd  
 US.TFN.S.1701