



COMPETITOR SERIES®

PROJECT: _____
 LOCATION: _____
 ITEM#: _____
 QUANTITY: _____



C-SP27-8-D-HC



C-SP48-12-D-HC



C-SP60-16-D-HC

STANDARD TOP SANDWICH PREPARATION TABLES WITH DRAWERS

- Beautiful ergonomic construction & rounded corners
- Digital temperature controller and read-out
- All stainless steel exterior and interior
- Forced air refrigeration system
- 9^{1/4}" deep cutting board included
- Recessed drawer handles
- Rail accommodates 6" deep pans
- Drawers with stainless steel drawers slides and nylon wheels
- Pre-installed casters and shelving
- 90 degree hold open door feature for loading products
- All Natural R290 Hydrocarbon Refrigerant
- US Department of Energy Certified
- Insulated hood and lids ensure food products in rail stay cold
- Migali Industries® Protection Plan: 2 Year Parts & Labor Warranty, 5 Years Compressor Warranty

MODEL	DRAWERS	NUM. OF (1/6) SIZE PANS*	CAPACITY CU/FT	SHELVES	H/P	AMPS	VOLTAGE	ENERGY CONSUMPTION KWH/24 HR	PLUG TYPE	TEMP RANGE	EXTERIOR DIMENSIONS W X D X H**	INTERIOR DIMENSIONS W X D X H	PACKAGED DIMENSIONS W X D X H**	WEIGHT	PACKAGED WEIGHT
C-SP27-8-D-HC	1	8	6.5	2	1/7+	2.3	115/60/1	1.6	Nema 5-15P	+33° F (~) +41° F	27.5 x 30 x 44.25	23.9 x 23.6 x 26.7	30 x 33 x 46	158 lbs.	196 lbs.
C-SP48-12-D-HC	2	12	12	4	1/7+	2.3	115/60/1	1.8	Nema 5-15P	+33° F (~) +41° F	48.25 x 30 x 44.25	44.7 x 23.6 x 26.7	51 x 33 x 46	231 lbs.	275 lbs.
C-SP60-16-D-HC	2	16	20	4	1/5	2.8	115/60/1	2.1	Nema 5-15P	+33° F (~) +41° F	60.25 x 30 x 44.25	56.7 x 23.6 x 26.7	64 x 33 x 46	271 lbs.	319 lbs.

* Pans are not included
 ** Total height includes casters

FOR COMMERCIAL USE ONLY

NOTE: MIGALI® RESERVES THE RIGHT TO CHANGE SPECIFICATIONS WITHOUT NOTICE

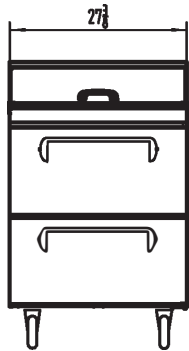


TOLL FREE: 800.852.5292
 WEB: www.migali.com

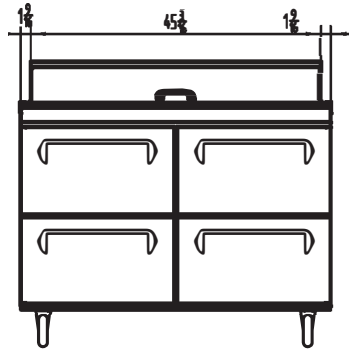


DIMENSIONAL DRAWINGS

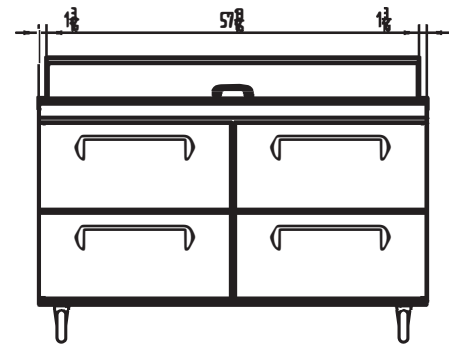
C-SP27-8-D-HC



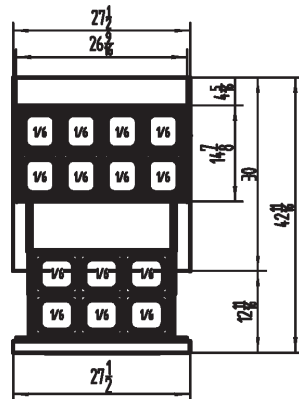
C-SP48-12-D-HC



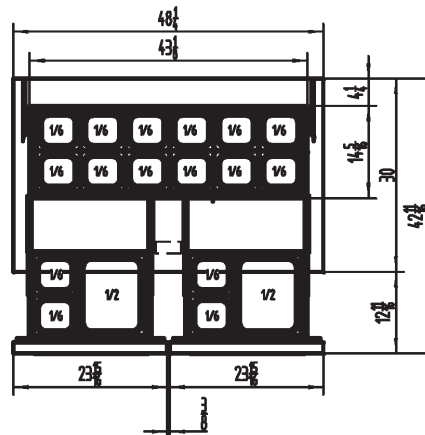
C-SP60-16-D-HC



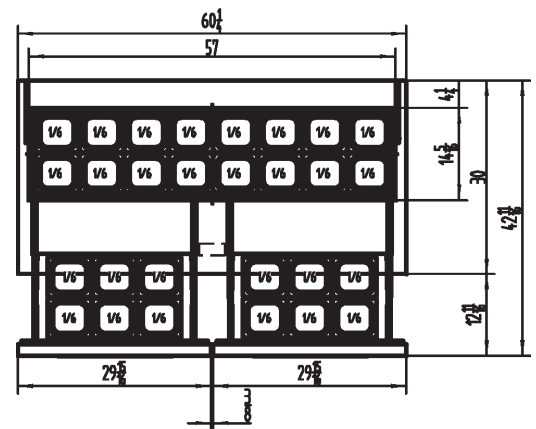
C-SP27-8-D-HC
TOP VIEW



C-SP48-12-D-HC
TOP VIEW

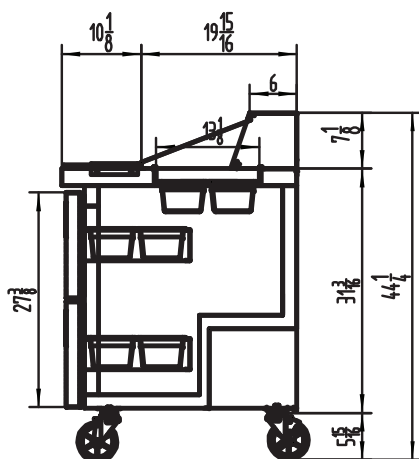


C-SP60-16-D-HC
TOP VIEW



C-SP72-18-D-HC

C-SP72-18-D-HC TOP VIEW



SIDE VIEW



MIGALI® REMAINS AN AMERICAN FAMILY COMPANY SINCE 1955