



We put space to work.

Item # _____

Job _____

PrepMate™ qwikSet MultiStation

PrepMate is a multifunctional workstation designed around the operator to eliminate space constraints and increase overall productivity. Perform tasks faster and easier in a space saving footprint with our patent pending, multi-level work surface. Tall or short, you can get comfortable and be more productive in seconds with our **qwikSet** easy height adjustment option.

- **Multi-Level:** The PrepMate Mult-Rail is design holds a standard 18"x24" cutting board* above standard food/steam table pans to increase work surface capacity by providing an easily accessible level of storage below the work surface. Get an increase in productivity up to 20%** by allowing prepared food to be pushed into pans without the wasted time and motion to pick-up and place into pans. Plus, it reduces the scrap associated with that extra activity.
- **qwikSet Height Adjustment:** Capable of 5 work surface heights (35¹/₈" – 39¹/₈"). The work station can be quickly adjusted for a variety of employee heights and tasks.
- **Mobile & Stable:** Perform tasks in multiple locations and save time and labor transporting product. Four total-lock casters provide a stable work surface by locking both the caster wheel and the hub for maximum stability.
- **Task Specific:** Configurable to a any task with labor & space saving accessories.
- **Easy to Clean:** Wipe down and disassemble without tools for sanitation.
- **Construction:** Based on Metro Super Erecta® commercial grade shelving systems with 1" shelf adjustability, 800 lbs. shelf load capacity, and unlimited configurations.
- **Space Saving Design:** Available in 18"x24", 18"x30", 18"x36", & 18"x48" sizes to fit in the most space constrained environments.
- **Application Based:** Choose from pre-configured models based on the needs of your application.

Construction options include:

- Solid Stainless Steel Shelves
- Solid Galvanized Steel Shelves
- Brite Zinc Wire Shelves

** Testing completed by Pennsylvania State University Center for Food Innovation.

* Cutting Boards up to 18¹/₁₆" wide

All Metro Catalog Sheets are available on our website: www.metro.com

qwikSet
Height
Adjustment
Release



MSQ1836-FSFS: 36" PrepMate with Solid Stainless Shelves



Patent Pending



InterMetro Industries Corporation
North Washington Street, Wilkes-Barre, PA 18705
Product Information. U.S. and Canada: 1.800.992.1776
Outside U.S. and Canada: www.metro.com/contactus

L02-223
Printed in U.S.A. 6/19

Information and specifications are subject to change without notice. Please confirm at time of order.

Copyright © 2019 InterMetro Industries Corp.



PrepMate™
qwikSet MultiStation

17.51

Job _____



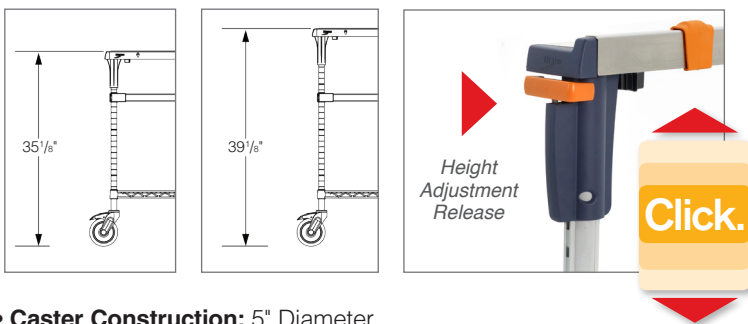
We put space to work.

PrepMate™ qwikSet MultiStation

Specifications

- **Multi-Rail Construction:** 16ga, Type 304 Stainless Steel, Removable without the use of tools, Glass Filled Nylon End Caps and patent pending qwikSet height adjustment
- **Sizes:**

Nominal	Actual
18"x24"	= 19.4"x26" (493mm x 660mm)
18"x30"	= 19.4"x32" (493mm x 812mm)
18"x36"	= 19.4"x38" (493mm x 914mm)
18"x48"	= 19.4"x50" (493mm x 1270mm)
- **Posts:**
 - Stainless Steel Posts come with FSFS units
 - Chrome Posts come with FG and BR units
- **Height Adjustment:** Variable on demand. 35 1/8"– 39 1/8" in 1" increments. Height is adjusted using qwikSet easy height adjustment



- **Caster Construction:** 5" Diameter Polyurethane Wheel, 3/8" Threaded Stem, Polyester Horn, Total Lock, NSF
- **Rail Grip:** Included with each unit, Rail Grips can be used to keep the cutting board from sliding on the rails
- **Load Rating:** Multi-Rails: 800 lbs. per set*; Shelving: 800 lbs. each; Casters: 220 lbs. each; Static System: 800 lbs.



* Multi-Rails are capable of holding 800 lbs. evenly distributed on an 18"x24" work surface of sufficient strength centered in the unit.

Other Accessories Available

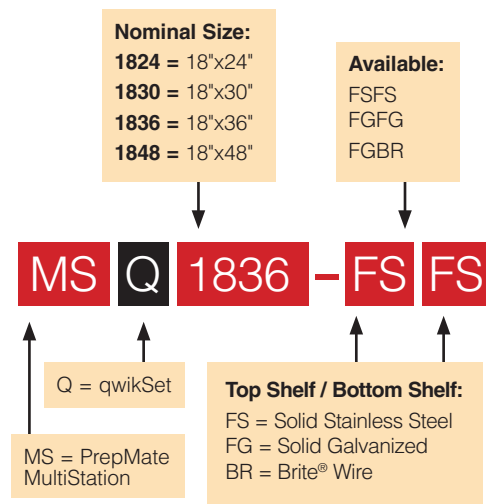
- Cutting Board Holder
- Pan Holder
- Knife Holder
- Utensil Bar
- Magic Ring (Fractional Pan Holder for Rails)

See PrepMate Accessory Spec Sheet 17.52 to learn more.

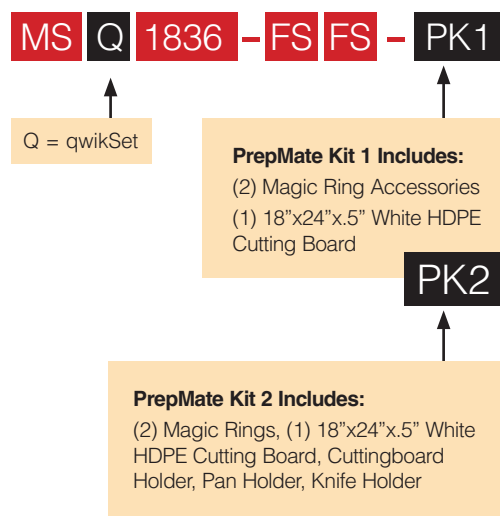
Configuring your PrepMate

Base Unit Model Numbers

(Base Models include Rails, Shelves, Post, & Casters all in one box)



PrepMate Kit Model Numbers



an Ali Group Company



The Spirit of Excellence