



We put space to work.

Item # _____

Job _____

Metro C5 4 Series Insulation Armour™ Plus Transport Cabinets

- **Insulation Armour™ Plus:** Patented insulation technology replaces traditional sheet metal exterior with foamed-in-place polyurethane polymer panels, providing improved temperature retention while transporting hot or cold food. Armour panels have molded in handles and act as a full body bumper for handling and protection during transport. Recessed top panel with ledges to help carry smaller loose objects.
- **Stainless Steel Construction:** High quality, Type 304 stainless steel for easy cleaning and long-term durability.
- **Greater Pan Capacity:** Improved space and labor efficiency with up to 60% more 12" x 20" / GN pan capacity per square foot (compared to other popular polymer insulated transport carts).
- **Flexible Pan Slides:**
 - Universal slides provide maximum flexibility to hold different pan styles in the same cabinet. Adjustable on 1½" increments, holds 12" x 20" pans, GN 1/1 and 2/1 pans, and/or 18" x 26" sheet pans.
 - Lip load slides exclusively hold 18" x 26" sheet pans on 1½" fixed increments.
- **Easy Access Door Latch:** High strength magnetic latch with lever-action release facilitates opening and closing of door when loading and unloading pans in high volume kitchens.
- **Sizes:** Full height, 5/6 height, and 1/2 height sizes available for varying operational needs.
- **Reliability:** Reliability and durability are designed from the ground up. High-quality components provide a long life of worry free use.



Full Height



1/2 Height



5/6 Height



Metro C5 4 Series Insulation Armour™ Plus Transport Cabinets

All Metro Catalog Sheets are available on our website: www.metro.com



InterMetro Industries Corporation
North Washington Street, Wilkes-Barre, PA 18705
Product Information. U.S. and Canada: 1.800.992.1776
Outside U.S. and Canada: www.metro.com/contactus

L02-197
Printed in U.S.A. Rev. 10/18

Information and specifications are subject to change without notice. Please confirm at time of order.

Copyright © 2018 InterMetro Industries Corp.

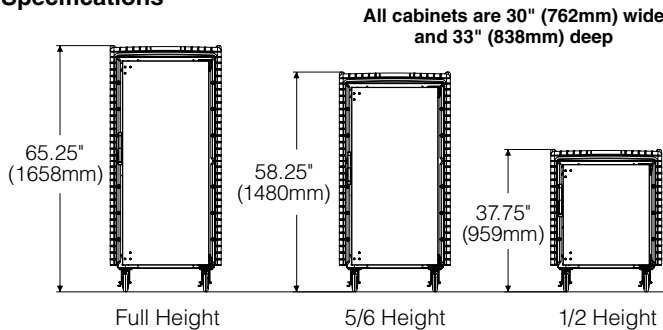
13.94N



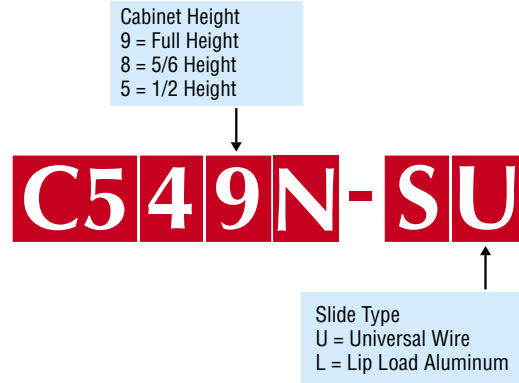
Metro C5 4 Series Insulation Armour™ Plus Transport Cabinets

We put space to work.™

Specifications

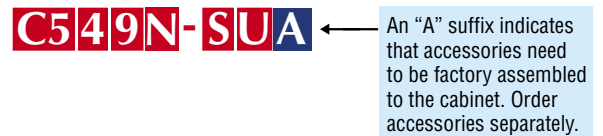


Model Number Description



- **Cabinet Material:** Type 304 stainless steel, 20-gauge cabinet body with High Density Polyethylene (HDPE) exterior
- **Insulation:** Insulation Armour™ Plus HDPE polymer panels with 2" thick CFC free foamed-in-place polyurethane insulation on sides, back, and top. Floor insulated with 1½" thick high density fiberglass insulation.
- **Casters:** Plate mounted, 2 swivel and 2 swivel with brake. 5" (127mm) diameter donut neoprene wheels.
- **Doors:** Type 304 stainless steel, 20-gauge insulated, welded doors. Field reversible, 180° swing. Fully insulated with 2" thick high density fiberglass insulation.
- **Door Latch:** Chrome plated, high-strength, flush mounted magnetic latch with lever-action release.
- **Door Gaskets:** High temperature, door mounted, Santoprene gasket.
- **Door Hinges:** Type 304 stainless steel, 11-gauge heavy-duty pivot hinge with welded pin.
- **Universal Wire Slides:** ¼" (6.4mm) diameter nickel-chrome electroplated wire, adjustable on 1½" (38mm) increments. Type 304 stainless steel uprights. For 12 x 20, GN, and 18x26 pans.
- **Lip Load Slides:** 1½" x ½" x 0.063" (38x13x1.6mm) extruded aluminum channel slides, fixed on 1½" spacing, riveted to .063" aluminum uprights. For 18 x 26 pans.
- **Clearance Requirements:** 18" (46cm) away from any cooking equipment. AVOID contact with any surfaces that exceed 200°F (93°C).
- **Slide Capacities:**

Models with Accessories or Options



Options/Accessories

- Travel Latch/Hasp (C54-TRVL)
- Factory Left Hand Hinging (DD3768)
- 6" Polyurethane Casters (C5-6CASTER)
- Rear Rigid Casters (C5-RDGCSTR)
- Small Item Shelf (C5-SHELF-S)
- Universal Slide Pair, Chrome (C5-USLIDEPR-C)
- Universal Slide Pair, Stainless (C5-USLIDEPR-S)
- Stainless Steel Universal Slide Upgrades
 - Full Height (C5-USLIDE-9S)
 - 5/6 Height (C5-USLIDE-7S)
 - 1/2 Height (C5-USLIDE-5S)

Cabinet Size	Universal Wire Slide Pan Capacity											Lip Load Slide Pan Capacity	
	Slide Pairs		Sheet Pans	Steam Pans			Gastronorm			Sheet Pans			
	Provided	Max.	18"x26"	12"x20"x2.5"	12"x20"x4"	12"x20"x6"	65mm Depth 2/1	100mm Depth 2/1	150mm Depth 2/1	18"x26"			
Full Height	17	34*	17**	34	22	14	17	34	11	22	7	14	34***
5/6 Height	14	29*	14**	28	20	12	14	28	10	20	6	12	29***
1/2 Height	8	15*	8**	16	10	6	8	16	5	10	3	6	16***

*Maximum number of slide pairs @ 1.5" spacing. Additional slide pairs ordered separately.
 **Standard capacity @ 3" spacing, increased capacity requires additional slide pairs.
 ***Standard capacity @ 1.5" spacing.

