



We put space to work.

Item # _____

Job _____

Metro C5 3 Series Insulation Armour™ Heated Holding and Proofing Cabinets

- **Insulation Armour™:** Patented insulation technology retains heat, saves energy, and provides a cool-to-touch exterior. Durable polymer construction is dent, impact, and stain resistant. Molded-in hand holds create vertical handles for mobile applications.
- **Colors:** Insulation Armour is available in Red, Blue, or Gray standard and in other colors on a promotional basis or upon request.
- **Control:** Three modules are available: Holding, Moisture, and Combination Proof and Hold. All feature an easy-to-read digital thermometer, recessed control dials, a master on/off switch, and power indicator lights. All are removable without tools for easy cleaning, and allow for future upgrades without replacing entire cabinet body.
- **Performance:** All modules provide fast heat-up and recovery through a thermostatically controlled, forced convection system.
- **Sizes:** C5 3 Series cabinets are available in Full Height (71", 1803mm), ¾ Height (59", 1499mm), and ½ Height (44", 1118mm) sizes.
- **Doors:** Solid insulated aluminum or clear polycarbonate doors are available. Full Height cabinets can be configured with full length or dutch-style doors. Clear doors provide visibility of the contents of the cabinet without the heat loss associated with opening the door.
- **Capacity:** Three slide styles provide maximum holding capacity. Choose from Universal Wire, Lip Load, or Fixed Wire.
- **Reliability:** Reliability and durability are designed into every C5. High-quality components provide a long life of worry free use.
- **Power Options:** Choose between standard high wattage or low wattage models based on the specific needs of the application.



Red Full Height Dutch Clear Doors



Blue ½ Height Full Solid Door

Gray ¾ Height Full Clear Door

Red Full Height Dutch Solid Doors

Blue Full Height Full Clear Door



3 Series Removable Control Modules

- **Holding Module:** Hot holding at higher temperatures without moisture control.
- **Moisture Module:** Hot holding and proofing. Moisture control at any temperature.
- **Combination Module:** Hot holding and proofing. Moisture control at lower temperatures (proofing).

All Metro Catalog Sheets are available on our website: www.metro.com



InterMetro Industries Corporation
North Washington Street, Wilkes-Barre, PA 18705
Product Information. U.S. and Canada: 1.800.992.1776
Outside U.S. and Canada: www.metro.com/contactus

L03-270
Printed in U.S.A. Rev. 8/18

Information and specifications are subject to change without notice. Please confirm at time of order.

Copyright © 2018 InterMetro Industries Corp.



C5 3 Series Insulation Armour™ Heated Holding and Proofing Cabinets

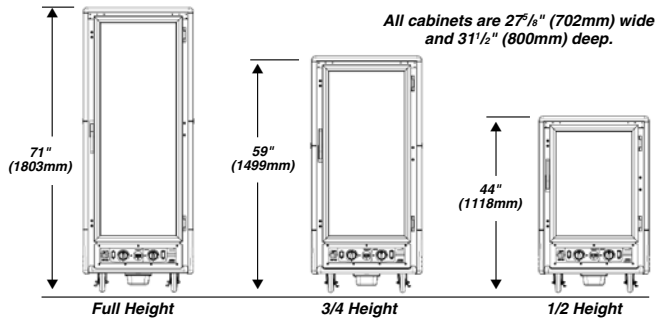
13.93

Job _____



C5 3 Series Insulation Armour™ Heated Holding and Proofing Cabinets

We put space to work.™



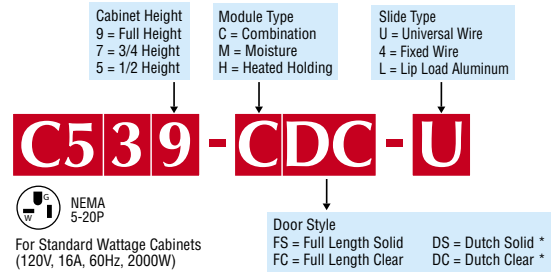
- **Cabinet Material:** .063" (1.8mm) aluminum, natural interior with .125" (3.2mm) aluminum chassis.
- **Insulation Armour™:** High Density Polyethylene (HDPE).
- **Casters:** Four casters with 5" (127mm) donut neoprene wheel, double ball bearing swivel, ball bearing axel, nickel plated, two with brake.
- **Solid Doors:** Fully insulated with 1" (25.4mm) fiberglass, double panel .063" (1.8mm) aluminum, brushed exterior, natural interior.
- **Clear Doors:** Extruded aluminum powder coated frame with .090" (2.3mm) polycarbonate window.
- **Hinges:** Field reversible, double hinged, 180° swing, with long-life nylon bearings.
- **Gaskets:** High temperature, door mounted, Santoprene gaskets.
- **Latches:** Polymer high-strength magnetic pull latch with lever-action release.
- **Hand Holds:** Molded into the Insulation Armour™ on all four corners.
- **Universal Slides:** 1/4" (6.4mm) dia. nickel-chrome electroplated wire, adjustable on 1 1/2" (38mm) increments.
- **Lip Load Slides:** 1 1/2"x1 1/2"x.063" (38x38x1.8mm) extruded aluminum channel slides, 1 1/2" (38mm) fixed spacing.
- **Fixed Wire Slides:** 1/4" (6.4mm) dia. nickel-chrome electroplated wire, welded on 3" (76mm) spacing.
- **Drip Trough:** Smooth polymer drip trough with catch pan.
- **Holding Modules:** Removable without tools, digital thermometer, recessed control dials, master on/off switch, "Power On" light, water pan, ball bearing blower forced air system, 7 1/2' cord, UL, CUL, and NSF Listed.

Electrical and Performance:

- **Holding Module:** 80°F (27°C) to 200°F (93°C) operating temperature range. Available in 120V 2000W & 1440W, and 220-240V 1681-2000W configurations.
- **Moisture Module:** 80°F (27°C) to 200°F (93°C) operating temperature range. 35% RH at 160°F (71°C), 95% RH at 95°F (35°C). Available in 120V 2000W, and 220-240V 1681-2000W configurations.
- **Combination Module:** 80°F (27°C) to 200°F (93°C) operating temperature range. 95% RH at 95°F (35°C). Available in 120V 2000W & 1440W, and 220-240V 1681-2000W configurations.
- **Clearance Requirements:** 18" (46cm) away from any cooking equipment. AVOID contact with surfaces that exceed 200°F (90°C). Minimum clearance from enclosures is 1 1/2" (38mm) on sides, back and top.
- **Slide Capacities:**

Cabinet Size	Universal Wire Pan Capacity**				Lip Load Pan Capacity		Fixed Wire Pan Capacity	
	Slide Pairs Provided	Slide Pairs Max.*	18"x26"	12"x20"x2.5" GN 1/1	18"x26"	18"x26"	12"x20"x2.5" GN 1/1	
Full Height	18	37	18	34	35	18	34	
Full Height Dutch	18	35	17	32	34	17	32	
3/4 Height	14	29	14	26	27	14	26	
1/2 Height	8	17	8	16	17	8	16	

*Maximum number of slide pairs @ 1 1/2" spacing. Additional slide pairs ordered separately.
**Capacity based on standard number of slide pairs provided.



* Please note: Dutch doors only available on full-height models. Cabinets ordered without a color designation default to Red.

Low Watt Model Number Description



Add "L" for Lower Wattage Combination or Holding Module Cabinets (120V, 12A, 60Hz, 1440W)

Export Model Number Description



Add "X" for Export Cabinets (220-240V, 7.6-8.3A, 50/60Hz, 1681-2000W)

Blue or Gray Model Description



** Cabinets ordered without a color designation default to Red.

Color **
No Suffix = Red
BU = Blue
GY = Gray

Models with Accessories or Options



An "A" suffix indicates that accessories need to be factory assembled to the cabinet. Order accessories separately.

Options/Accessories*

- Small Item Shelf (C5-SHELF-S)
- Stainless Steel Legs (C5-SSLEGS)
- Universal Slide Pair, Chrome (C5-USLIDEPR-C)
- 6" Casters (C5-6CASTER)
- Rear Rigid Casters (C5-5RDGCSTR)
- Travel Latch (C5-TRVL)
- Flush Door Latch (C5-LATCHFLUSH-1)*
- Straight Plug, 20 Amp, 120V (C5-STRPLG-20)
- Straight Plug, 15 Amp, 120V (C5-STRPLG-15)
- Factory Left-Hand Hinging (DD3768)
- Stainless Steel Universal Slides (please call)

*Please note: (2) handles required for dutch door models

Metro Heated cabinets are for hot food holding applications only.

an Ali Group Company



The Spirit of Excellence

