



Item # _____

Job _____



POLYMER UTILITY CARTS: DEEP LEDGE SERIES

Metro's Deep Ledge Series Utility Carts are designed for a wide variety of applications.

- **Ultimate Cleanability:** Smooth surfaces are designed to resist staining and wipe clean easily.
- **Corrosion-Proof Shelves:** All-polymer shelf will never corrode.
- **Contains Spills:** Deep Ledge Series shelves feature a deeper 2³/₄" (70mm) ledge to contain product or spills.
- **Specific Models with Microban® product protection:** The blue Deep Ledge models ending in "MB" have built in Microban® product protection. This inhibits the growth of bacteria, mold, mildew, and fungi that cause odors, stains, and product degradation.
- **Attractive Aesthetics** allow for use in a variety of applications.
- **Sturdy Construction:** Each shelf can hold up to 150 lbs. (68kg), while each cart can hold up to 400 lbs. (180k).
- **Easy-to-Adjust:** Optional center shelf adjusts on 1" (25mm) increments.
- **Ergonomic Handle** designed for easy use.
- **Easy, No-Tool Assembly:** Ships knocked down.
- **Deep Ledge Series carts are NSF listed.**



*Deep Ledge Cart
(3-shelf)*



*Deep Ledge Cart
(2-shelf)*

Colors for Deep Ledge Series:



Gray



Black



*Blue
with built-in
Microban antimicrobial
product protection*

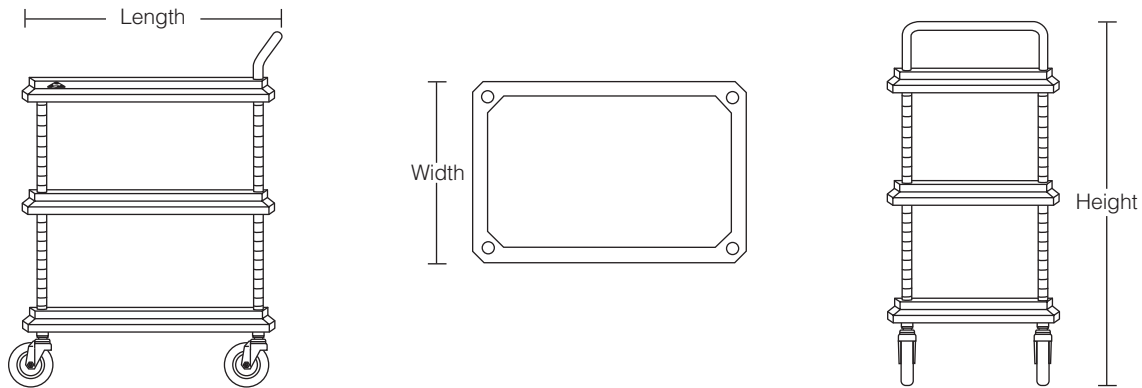
*Microban® and the Microban® symbol are registered trademarks of the Microban Products Company, Huntersville, NC.



InterMetro Industries Corporation
North Washington Street
Wilkes-Barre, PA 18705
www.metro.com



POLYMER UTILITY CARTS: DEEP LEDGE SERIES



Deep Ledge Series Carts

Cart is available in 2-shelf and 3-shelf models.

| Model No.* | Description | Width/Length/Height | | Approx. Pkd. Wt. | |
|------------|--------------|--|--------------|--------------------------------|------|
| | | (in.) | (mm) | (lbs.) | (kg) |
| BC2030-2D | 2-shelf unit | 21 ¹ / ₂ x32 ³ / ₄ x41 | 546x831x1041 | 29 | 31.1 |
| BC2030-3D | 3-shelf unit | 21 ¹ / ₂ x32 ³ / ₄ x41 | 546x831x1041 | 37 ¹ / ₂ | 17.0 |
| BC2636-2D | 2-shelf unit | 27x38 ³ / ₄ x41 | 685x984x1041 | 35 | 15.9 |
| BC2636-3D | 3-shelf unit | 27x38 ³ / ₄ x41 | 685x984x1041 | 46 ¹ / ₂ | 21.1 |

Colors available are: Gray (G), and Black (BL).

*Add color designation to part number when specifying, i.e.: BC2030-3D**G** = Three-shelf deep ledge cart in Gray.

Note: Models feature (4) 4" (102mm) diameter swivel casters.



**Deep Ledge
Utility Cart**

Deep Ledge Carts with Microban® Product Protection

(Blue color only)

| Model No. | Description | Width/Length/Height | | Approx. Pkd. Wt. | |
|-------------|--------------|--|--------------|--------------------------------|------|
| | | (in.) | (mm) | (lbs.) | (kg) |
| BC2030-2DMB | 2-Shelf Unit | 21 ¹ / ₂ x32 ³ / ₄ x41 | 546x832x1041 | 29 | 13.1 |
| BC2030-3DMB | 3-Shelf Unit | 21 ¹ / ₂ x32 ³ / ₄ x41 | 546x832x1041 | 37 ¹ / ₂ | 17.0 |
| BC2636-2DMB | 2-Shelf Unit | 27x38 ³ / ₄ x41 | 685x984x1041 | 35 | 16.9 |
| BC2636-3DMB | 3-Shelf Unit | 27x38 ³ / ₄ x41 | 685x984x1041 | 46 ¹ / ₂ | 21.1 |

Note: Models feature (4) 4" (102mm) diameter swivel casters.

Additional Intermediate Shelves

| Model No.* | Width/Length | | Approx. Pkd. Wt. | |
|------------|------------------------------------|---------|------------------|------|
| | (in.) | (mm) | (lbs.) | (kg) |
| BC2030D- | 21 ¹ / ₂ x32 | 546x813 | 8.5 | 3.9 |
| BC2636D- | 27x38 | 686x965 | 11.5 | 5.2 |

*Colors available are: Gray (G), Black (BL), Blue with built-in Microban product protection (MB). Add color designation to part number when specifying, i.e.: BC2030D-**G** = 20"x30" Gray Intermediate Deep Ledge Shelf.



POLYMER UTILITY CARTS: DEEP LEDGE SERIES

Accessories



*Deep Ledge Series with Wastebasket
and Utility Bin Accessories*

| Model No. | Description | Fits Cart | Width/Height/Depth | | Approx. Pkd. Wt. | |
|-----------|--------------------------------|-------------------|--|-------------|------------------|------|
| | | | (in.) | (mm) | (lbs.) | (kg) |
| MF222 | Wastebasket Only | Deep Ledge Series | 14 ³ / ₈ x15 ³ / ₈ x10 ³ / ₈ | 365x391x264 | 2.8 | 1.3 |
| BCWB2D | Wastebasket (including holder) | BC2030-D | 21 ¹ / ₄ x27 ¹ / ₂ x13 ¹ / ₄ | 540x700x337 | 8.0 | 3.8 |
| BCUB2D | Utility Bin (including holder) | BC2030-D | 21 ¹ / ₄ x7 ³ / ₄ x14 ¹ / ₂ | 540x197x368 | 6.0 | 2.7 |
| UB1 | Utility Bin Only | Deep Ledge Series | 16 ³ / ₈ x6x11 | 416x152x279 | 2 | 0.9 |

Specifications

Bin — ABS thermoplastic
Wastebasket — polyethylene

All Metro Catalog Sheets are available on our website: www.metro.com



InterMetro Industries Corporation
North Washington Street, Wilkes-Barre, PA 18705
Phone: 570-825-2741
Product Information. U.S. and Canada: 1.800.992.1776
Outside U.S. and Canada: www.metro.com/contactus

L03-074A
Printed in U.S.A. Rev. 11/14

Information and specifications are subject to
change without notice. Please confirm at time of order

Copyright © 2014 InterMetro Industries Corp.