

KA-44/66/80 Series

Hot Water Sanitizing Single-Tank Rack-Conveyor Dishwashers



The clean solution

Special Features:

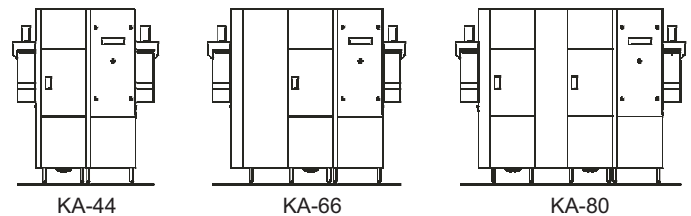
- **Low water consumption** of 71 gallons (268.8 liters) per hour, 0.29 gallons (1.11 liters) per rack.
- **Highest capacity will run up to 243 racks/hour.**
- **Glass touch screen control panel** for fully automatic operation and advanced service diagnostics. Messages are displayed in plain text, with a selection of multiple languages including English, Spanish and French.
- **Built-in “smart” booster heater** ensures correct sanitizing temperature of 180°/82°C (incoming water temperature of 110°-140°F/43-60°C).
- **Blue color coding** of components to be touched during daily cleaning makes cleaning intuitive.
- **Modular construction** enables total customization and reduces lead times. Ships as a single unit.

Standard Features:

- 3 drive speeds: Wash 243, 202 or 162 racks/hour.
- 304-series stainless steel construction.
- Uniquely-designed center-drive pawl system eliminates water spray blockage from below the rack, while providing reliable operation.
- Double-wall insulated construction on front, top and back to improve operator safety, conserve heating energy, and reduce noise and heat loss into the dishroom.
- Standard vent cowls with collars.
- Sealed, hinged access door(s) are field-reversible by an Authorized Service Agent.
- Optimally-positioned wash arms in easily-removed assemblies. Arms and assemblies are stainless steel for easy cleaning. Nozzles are slotted and concave to minimize clogging.
- Powerful 3hp (2.2 kW) wash pump is 50% more efficient than the industry standard, for outstanding cleaning ability. Pump motor is vertically-mounted to be self-draining and easily removed for servicing.
- Detergent and rinse aid access ports.
- Single-point drain connection.
- Low-level heater protection.
- Potential-free contacts for external vent fan control.



European model shown



Options:

- **Waste Air Heat Recovery System (WAHRS):** Reclaims waste heat generated by the machine and uses it as free energy to preheat incoming rinse water. Reduces energy consumption; allows hot-water sanitization from a cold-water supply.
- **Blower dryer** improves drying of dishes, glassware, crockery and silverware.
- **90° mechanical unloader/blower dryer module.**
- **90° mechanical loader and unloader (unhooded).**
- **Water hammer arrestor.**

Accessories:

- Table limit switch.
- Drain water tempering kit.
- Open-ended sheet pan rack.
- Flanged feet.

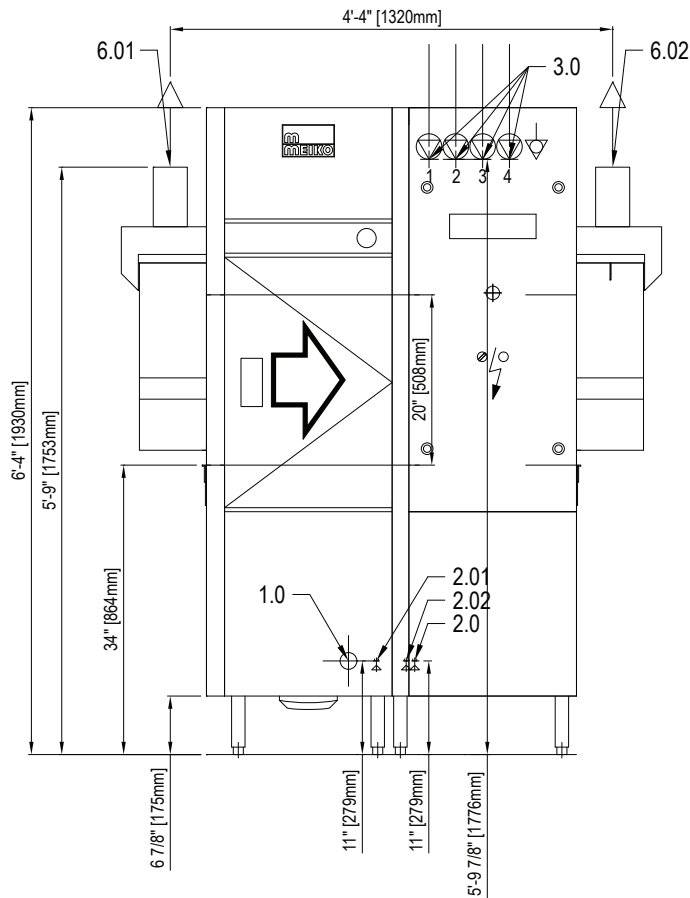
Models:

- **KA-44:** 44" (1118 mm) compartment with wash and final rinse zones. Table-to-table length 44" (1118 mm).
- **KA-66:** Adds 22" (559 mm) prewash section to KA-44 configuration. Table-to-table length 66" (1676 mm).
- **KA-80:** Adds 36" (800 mm) prewash section to KA-44 configuration. Table-to-table length 80" (2032 mm).

This dishwasher is compliant with the Reduction of Lead in Drinking Water Act (2011) amendment to the Safe Drinking Water Act (SDWA).



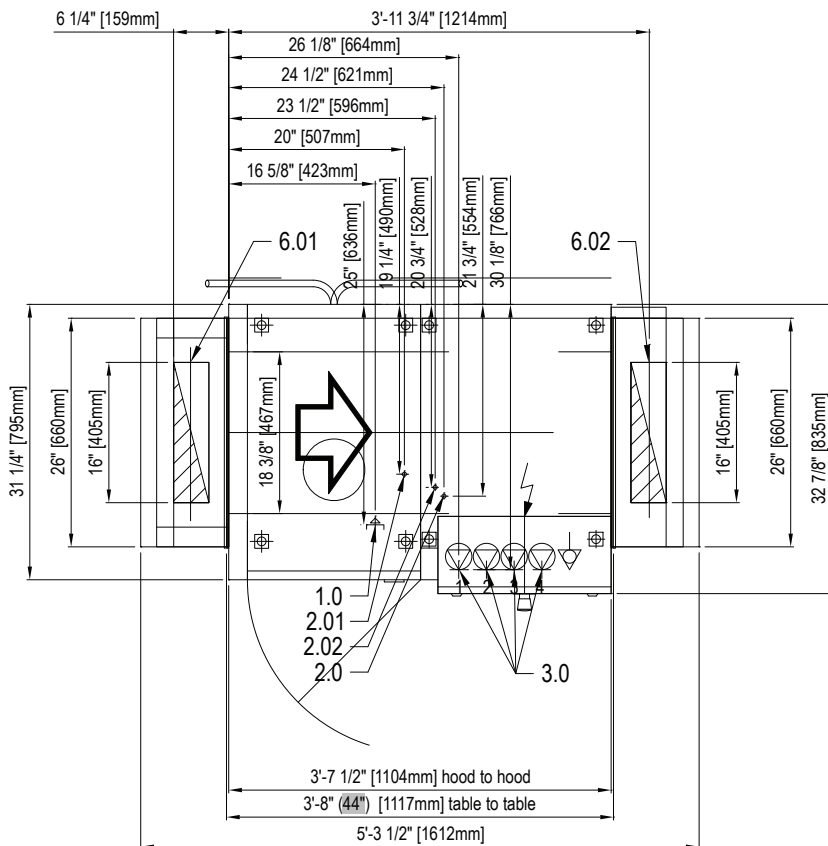
KA-44, left to right - electric heat



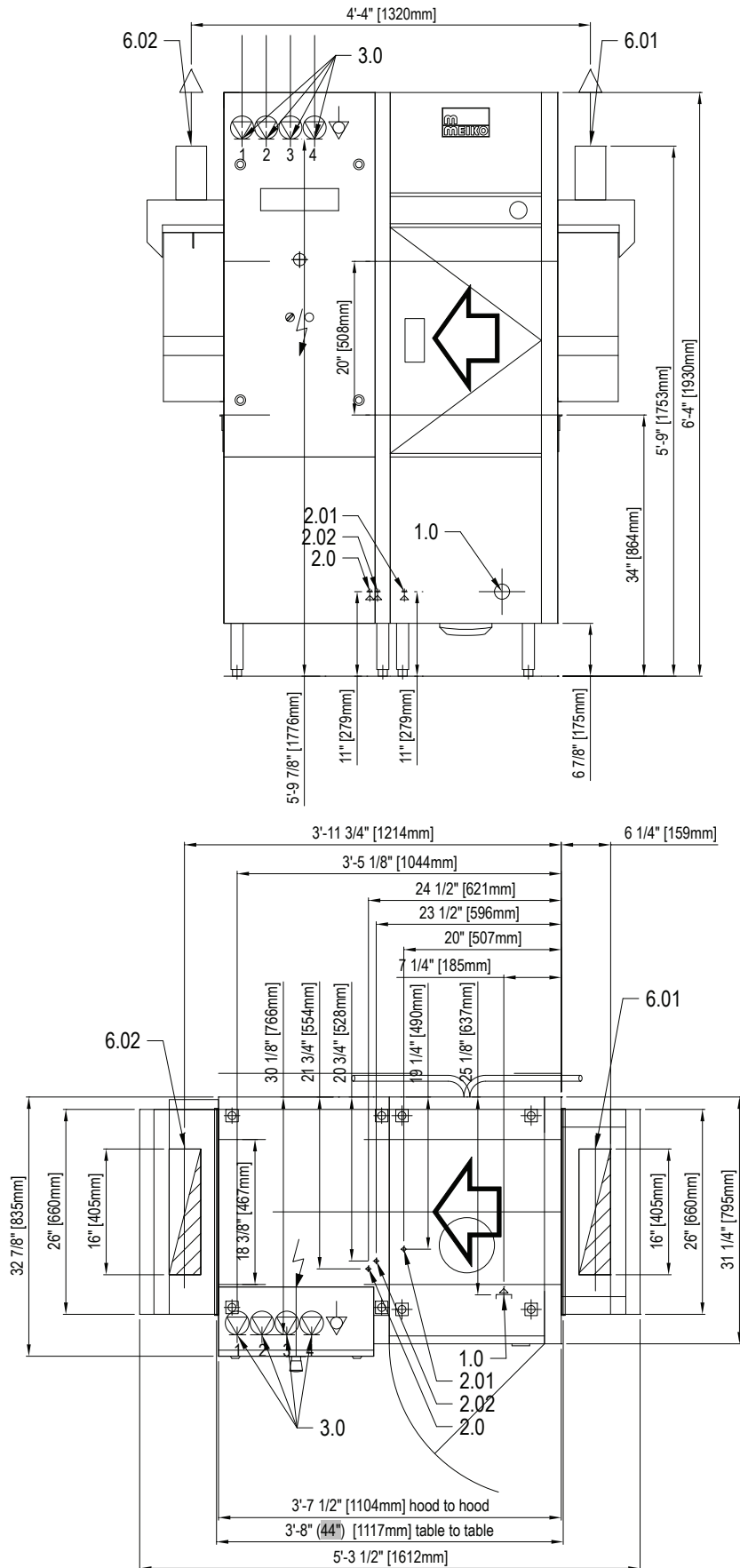
Utility Connections:
Refer to pages 6-7 for details

- 1.0 Drain
- 2.0 Warm water connection (without WAHRS)
- 2.01 Warm water connection (with WAHRS)
- 2.02 Cold water connection (without WAHRS)
- 3.0 Electrical connections
- 6.01 Vent connection
- 6.02 Vent connection

Note: Drain locations may vary

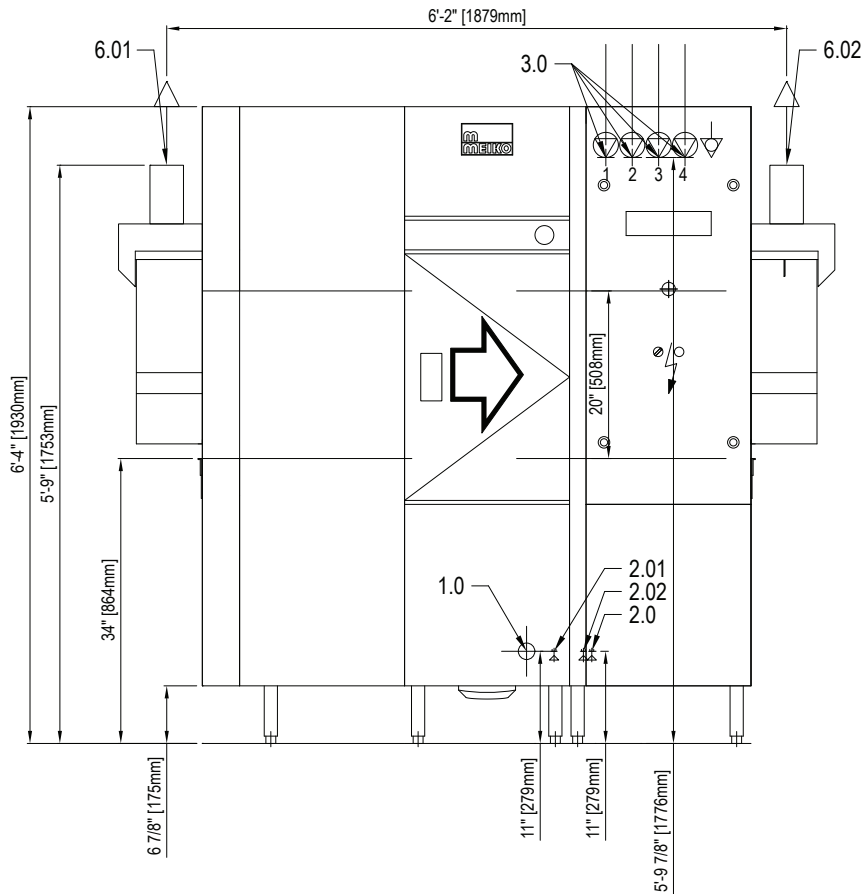


KA-44, right to left - electric heat



- Utility Connections:**
Refer to pages 6-7 for details
- 1.0 Drain
 - 2.0 Warm water connection (without WAHRS)
 - 2.01 Warm water connection (with WAHRS)
 - 2.02 Cold water connection (without WAHRS)
 - 3.0 Electrical connections
 - 6.01 Vent connection
 - 6.02 Vent connection
- Note:** Drain locations may vary

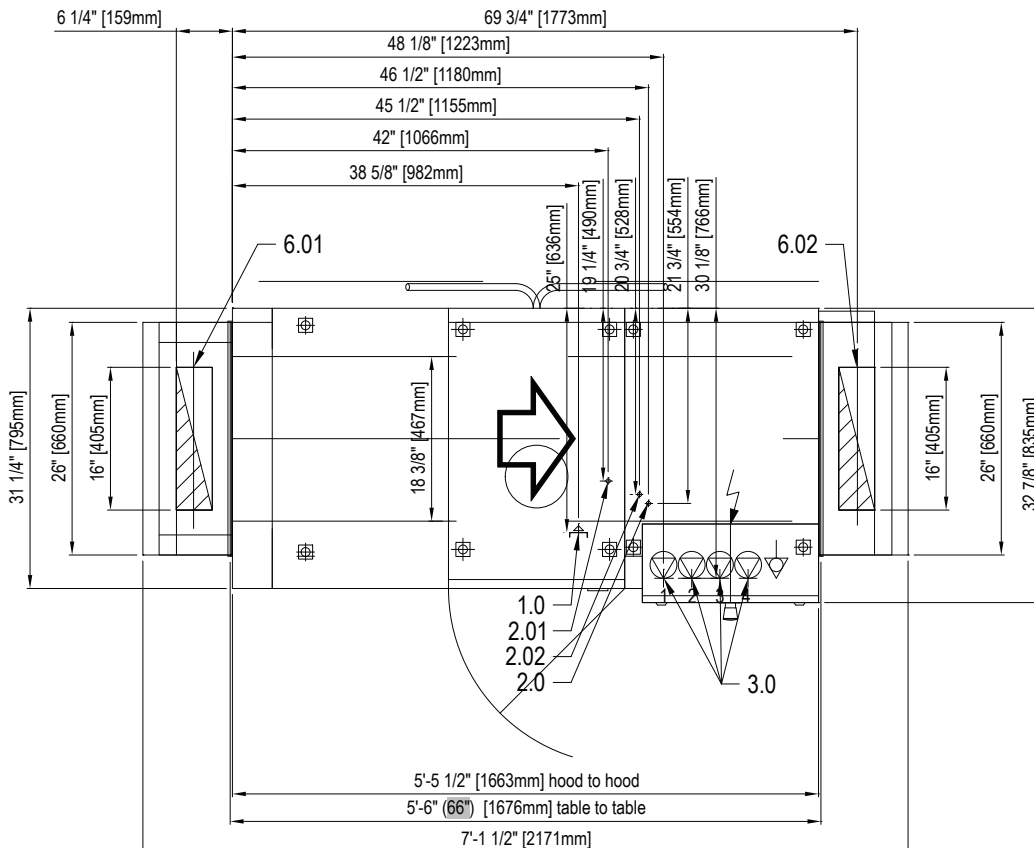
KA-66, left to right - electric heat



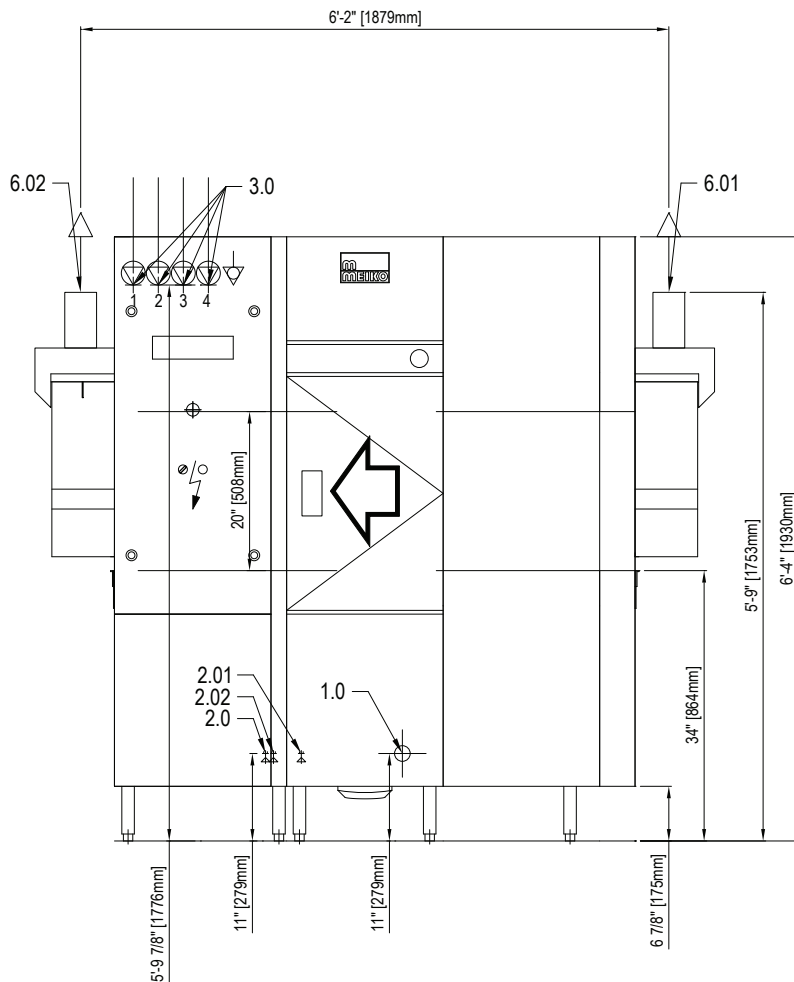
Utility Connections: Refer to pages 6-7 for details

- 1.0 Drain
- 2.0 Warm water connection (without WAHRS)
- 2.01 Warm water connection (with WAHRS)
- 2.02 Cold water connection (without WAHRS)
- 3.0 Electrical connections
- 6.01 Vent connection
- 6.02 Vent connection

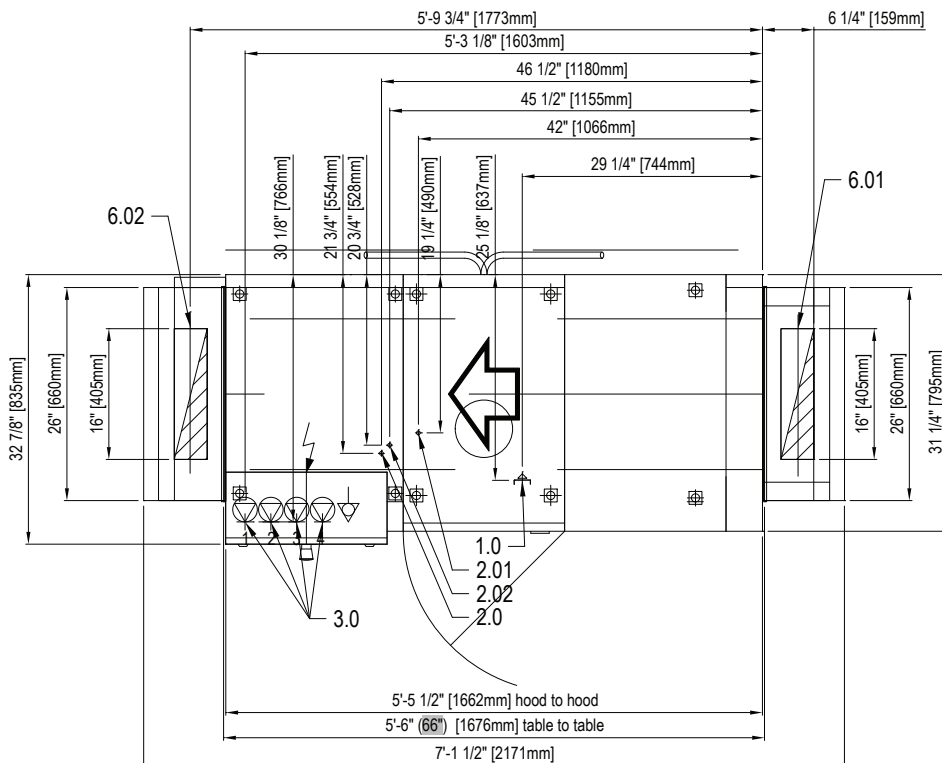
Note: Drain locations may vary



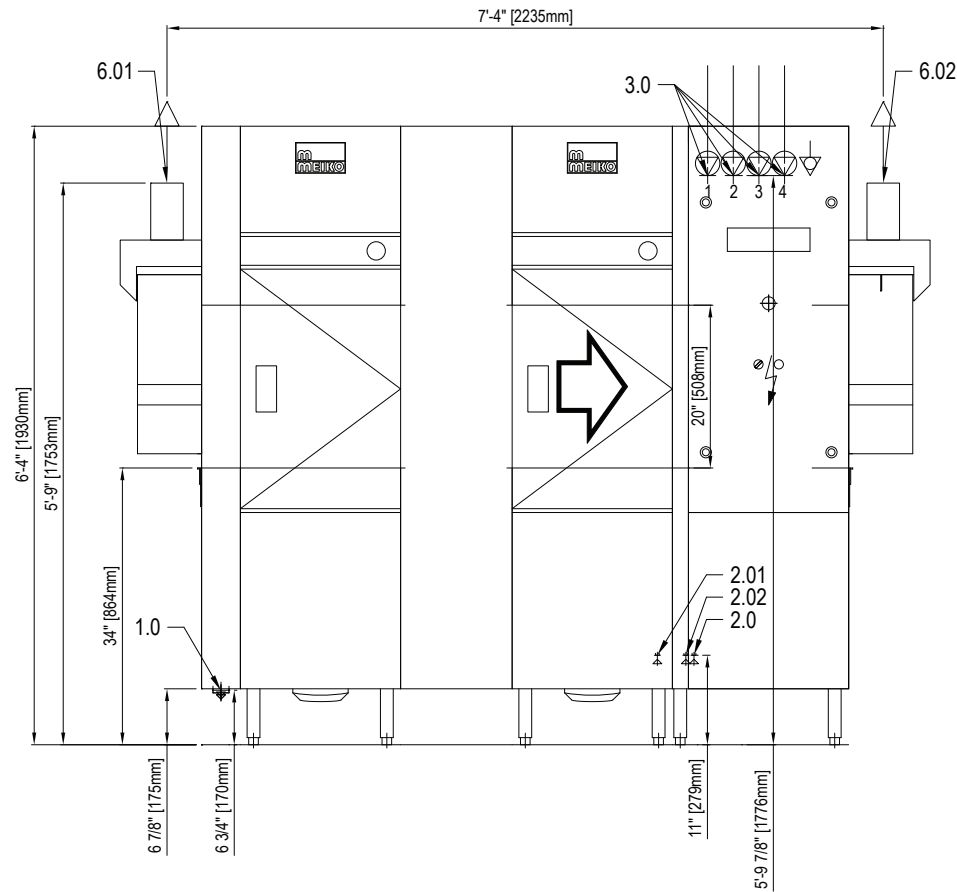
KA-66, right to left - electric heat



- Utility Connections:**
Refer to pages 6-7 for details
- 1.0 Drain
 - 2.0 Warm water connection (without WAHRS)
 - 2.01 Warm water connection (with WAHRS)
 - 2.02 Cold water connection (without WAHRS)
 - 3.0 Electrical connections
 - 6.01 Vent connection
 - 6.02 Vent connection
- Note:** Drain locations may vary



KA-80, left to right - electric heat

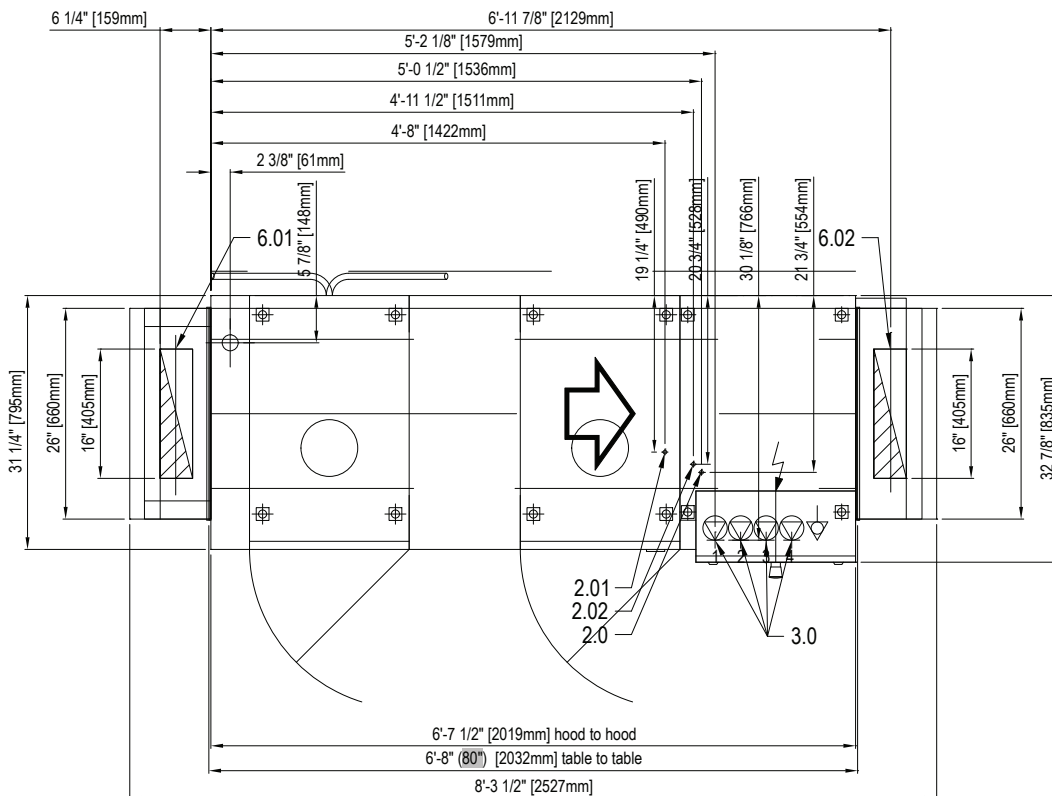


Utility Connections:

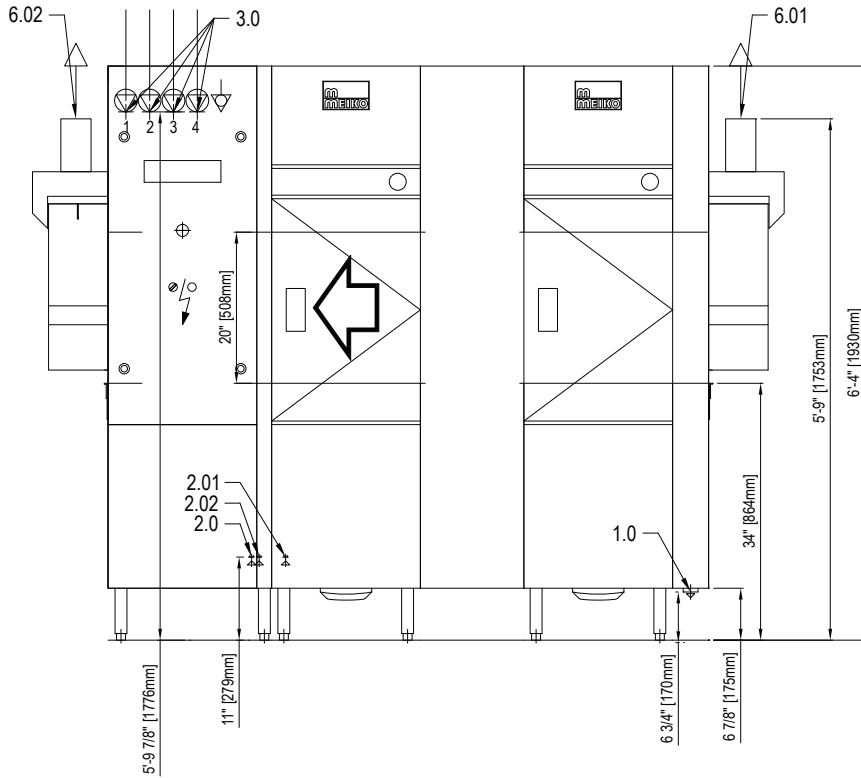
Refer to pages 6-7 for details

- 1.0 Drain
- 2.0 Warm water connection (without WAHRS)
- 2.01 Warm water connection (with WAHRS)
- 2.02 Cold water connection (without WAHRS)
- 3.0 Electrical connections
- 6.01 Vent connection
- 6.02 Vent connection

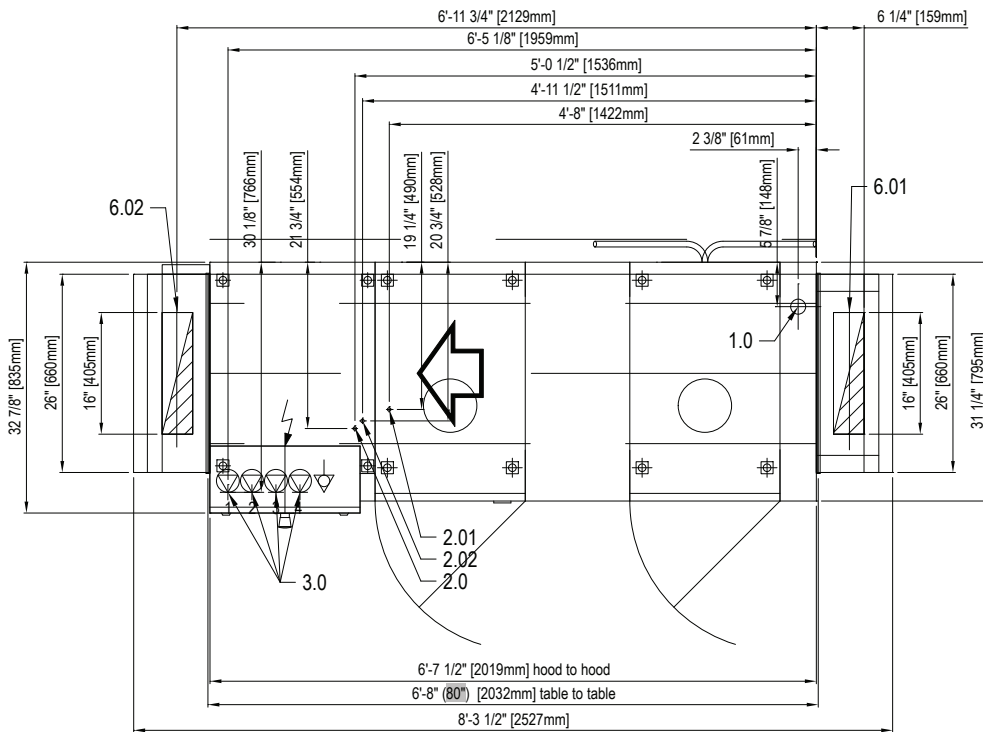
Note: Drain locations may vary



KA-80, right to left - electric heat



- Utility Connections:**
Refer to pages 6-7 for details
- 1.0 Drain
 - 2.0 Warm water connection (without WAHRS)
 - 2.01 Warm water connection (with WAHRS)
 - 2.02 Cold water connection (without WAHRS)
 - 3.0 Electrical connections
 - 6.01 Vent connection
 - 6.02 Vent connection
- Note:** Drain locations may vary



KA-44/66/80 Series Utility Connections

1.0 Drain

- Vertical, gravity-fed drain outlet (HDPE piping). 2" OD or 1½" pipe via no-hub required for connection.
- Connection pipe work and P-trap to be provided by others (HDPE piping).
- Additional piping to drain (if required) to be provided by others.
- Connection is 1'-1" (330 mm) AFF.

2.0 Warm water connection (fill and rinse); machines without WAHRS option:

- ¾" NPT pipe connection.
- Temperature: 110° - 140°F (43° - 63°C).
- Initial fill:
 - K44** = 21.1 gallons (80 liters)
 - K66** = 21.1 gallons (80 liters)
 - K80** = 42.2 gallons (160 liters)
- Consumption = 71 gallons (268.8 liters) per hour.
- Recommended hardness = 1-3 grains/gallon.
- Connection = 11" (279 mm) AFF.

2.01 Warm water connection (fill and rinse); machines with WAHRS option:

- ½" NPT pipe connection.
- Temperature: 110° - 140°F (43° - 60°C).
- Initial fill:
 - K44** = 21.1 gallons (80 liters)
 - K66** = 21.1 gallons (80 liters)
 - K80** = 42.2 gallons (160 liters)
- Recommended hardness = 1-3 grains/gallon.
- Connection = 11" (279 mm) AFF.

2.02 Cold water connection (final rinse); machines with WAHRS option:

- ½" NPT pipe connection.
- Temperature as cold as available: 53°- 68°F (12°- 20°C) recommended.
- Consumption = 71 gallons (268.8 liters) per hour.
- Recommended hardness = 1-3 grains/gallon.
- Connection = 11" (279 mm) AFF.



3.0 Electrical connections

- Refer to **M-iPlan** for all electrical utility values.



Equipotential ground lug



6.01 Vent connections

- Refer to **Detail View: Vent** for suggested connection.
Note: Applies only to dryer/unloader module.



6.02 Waste Air Connection

- The waste air connection must be corrosion-resistant and frost-free. In particular, provisions must be made to prevent air temperatures of 32°F (0°C) or colder from reaching the machine at any time. A provision for draining moisture from the waste air pipe (condensate return) is strongly recommended.
- Relative humidity: approximately 98%.
- Machine exhaust (per vent connection): recommended 88 CFM (150m³/hr); 176 CFM (300m³/hr) total.

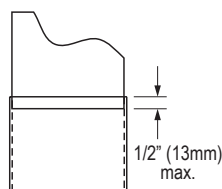
Recommended Vent Connection

Machines that are not placed underneath a ventilation hood require "pant leg" ventilation ducts. To determine the dimensions of the duct, first determine how they will be installed:

Duct sleeved inside collar (recommended)

Outside dimensions of the duct should be ¾" W x 15¼" D (95 x 400 mm)

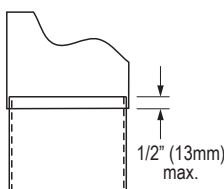
¾" W x 15¼" D (95 x 400 mm)
Outside dimensions



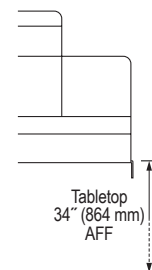
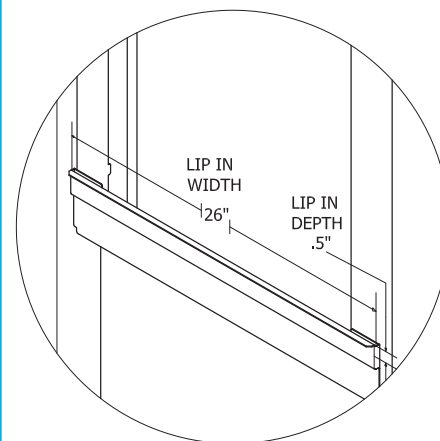
Duct sleeved outside collar

Inside dimensions of the duct should be 4" W x 16" D (102 x 406 mm)

4" W x 16" D (102 x 406 mm)
inside dimensions



Recommended Tabling Construction



Use silicone sealer between the table lip and the machine to prevent leakage

KA-44/66/80 Series Technical Specifications

Performance

Maximum rack capacity per hour	243/202/162
Water consumption (<i>maximum</i>)	71 gal (268.8 liters)/h
Water consumption (<i>per rack</i>)	0.29 gal (1.1 liters)/rack

Venting data

Load end:	88 CFM/150m ³ /h
Unload end:	88 CFM/150m ³ /h
Total:	176 CFM / 300m ³ /h
Relative humidity (<i>approx.</i>):	98%

Dimensions

Length, KA-44, table-to-table	44" (1118 mm)
Length, KA-66, table-to-table	66" (1676 mm)
Length, KA-80, table-to-table	80" (2032 mm)
Length, blower dryer (<i>option</i>)	+ 23 ⁵ / ₈ " (600 mm)
Height	76 ¹ / ₈ " (1934 mm)
Depth	31 ¹ / ₄ " (795 mm)
Clearance height inside wash chamber	20" (508 mm)

Component data

Wash pump motor	3.0 hp (2.2 kW)
Prewash pump motor (<i>KA-80 only</i>)	3.0 hp (2.2 kW)
Conveyor drive motor	0.13 hp (0.12 kW)
Vent motor (<i>WAHRS option only</i>)	0.17 hp (0.13 kW)
Blower dryer motor (<i>blower dryer option only</i>)	0.67 hp (0.48 kW)

Water Connection data

Water hardness	1-3 grains per gallon
Temperature, common water connection (<i>standard</i>)	110°-140°F (43°-60°C)
Temperature, fill connection (<i>with optional WAHRS</i>)	110°-140°F (43°-60°C)
Temperature, rinse connection (<i>with optional WAHRS</i>)	Cold as available , 53°-68°F (12°-20°C) recommended
Initial fill, KA-44/KA-66	21.1 gallons (80 liters)
Initial fill, KA-80	42.2 gallons (160 liters)

Note: All specifications are subject to change without notice based on MEIKO's dedicated product improvement program.