

Drop-in Self-Leveling Dispensers

Open, Shielded and Heated - Oval Plate

Models

V4010, V4011, V4012, V4013, V4014

V5010, V5011, V5012, V5013, V5014

V6010, V6011, V6012, V6013, V6014



Dispensing level is easily adjusted by attaching or detaching springs. No tools required.

- Models available to fit oval plates from 9¾ long" to 14½ long"
- All models have a 25" stacking capacity
- Easy-Glide™ design provides quiet, non-stick operation
- Heated dispensers feature thermostatic control. Thermostat minimum 100°F (38°C) - maximum 175°F (79°C)
- High-strength welded stainless steel frame

Specifications

Unit shall be of welded stainless steel construction to dispense square dishes. Dispensers shall hang from surface opening by a 14-gauge flange rim and feature four each 18-gauge vertical corner supports welded to 18-gauge bottom plate. Self-leveling dish carriage shall be of welded stainless steel construction and shall travel vertically in dispenser tube with nylon roller guides for smooth operation. Carriage shall have 20-gauge removable dish platform. Unit shall feature flange mounted extension springs on two sides, which are detachable from the dish carriage to provide adjustment without tools for different weight dishes. Unit shall have a vertical stacking capacity of 25" (635 mm). Shielded and heated models shall have a 24-gauge skin enclosure Unit shall be NSF listed.

Heated Models Only: Unit shall be 120 VAC 60 Hz and shall have 5' (1524 mm) power supply cable with L15-5R NEMA twist lock plug for 120 VAC. Dispenser tubes shall be fully enclosed in 24-gauge stainless steel, and have a circular bottom mounted 450 watt heater element to provide convection heat. Heating system shall feature thermostatic control in a tamper protective location with safe high-end shut-off. Control shall have infinite settings between low and high temperature cut-outs. Thermostat shall be field adjustable for average interior air temperature between 100° F (38° C) and 175° F (79° C) at middle adjustable thermostatic setting. On-off switch and power indicator light shall be mounted on top flange of dispenser. Average dish temperature rise of 40° F (22° C) above ambient shall be achieved within one hour of initial heating cycle at middle adjustable thermostatic setting. Unit shall be UL listed.

Optional Accessories

- 208/240 VAC 60Hz (heated models)
- 220 VAC 50 Hz (heated models)

Lakeside Manufacturing, Inc.

4900 West Electric Avenue • West Milwaukee, WI 53219 U.S.A.

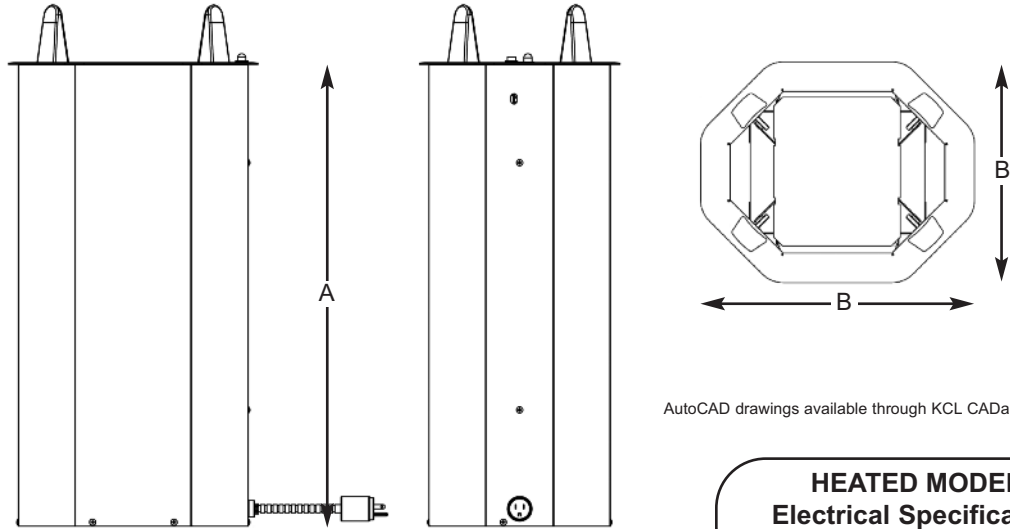
800-558-8565 • 414-902-6400 • Fax 414-902-6446 • info@eLakeside.com • www.eLakesideFoodservice.com

Drop-in Self-Leveling Dispensers

Open, Shielded and Heated - Oval Plate

Models

V4010, V4011, V4012,
V4013, V4014, V5010,
V5011, V5012, V5013,
V5014, V6010, V6011,
V6012, V6013, V6014



HEATED MODELS
Electrical Specifications
450 Watts, 3.8 Amps, 120 VAC

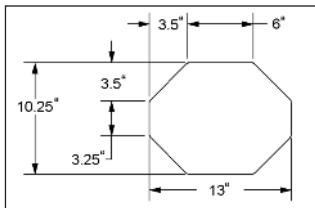
Dimensions

| Model | Accommodates Oval Plate Size | Height To Rim (A) | Top Rim Size (B) | lbs. | (kg.) |
|------------------------|---|--|-------------------------------|------|--------|
| Open Models | | | | | |
| V4010 | 6 ³ / ₄ " x 9 ³ / ₄ " to 7 ³ / ₄ " x 10 ¹ / ₂ " | 27 ³ / ₄ " (705) | 11-3/8" x 14-1/2" (290 x 368) | 18 | (8.2) |
| V4011 | 8" x 10 ³ / ₄ " to 8 ¹ / ₂ " x 11 ¹ / ₂ " | 27 ³ / ₄ " (705) | 12-1/8" x 15-1/8" (309 x 384) | 20 | (9.1) |
| V4012 | 8 ³ / ₄ " x 11 ³ / ₄ " to 9 ¹ / ₄ " x 12 ¹ / ₂ " | 27 ³ / ₄ " (705) | 13" x 16-1/4" (330 x 413) | 22 | (10.0) |
| V4013 | 9 ¹ / ₂ " x 12 ³ / ₄ " to 10 ¹ / ₄ " x 13 ¹ / ₂ " | 27 ³ / ₄ " (705) | 13-1/3" x 17-1/8" (347 x 435) | 24 | (10.9) |
| V4014 | 9 ³ / ₄ " x 13 ³ / ₄ " to 10 ³ / ₄ " x 14 ¹ / ₂ " | 27 ³ / ₄ " (705) | 14-1/8" x 18" (360 x 457) | 27 | (12.2) |
| Shielded Models | | | | | |
| V5010 | 6 ³ / ₄ " x 9 ³ / ₄ " to 7 ³ / ₄ " x 10 ¹ / ₂ " | 28" (711) | 11-3/8" x 14-1/2" (290 x 368) | 26 | (11.8) |
| V5011 | 8" x 10 ³ / ₄ " to 8 ¹ / ₂ " x 11 ¹ / ₂ " | 28" (711) | 12-1/8" x 15-1/8" (309 x 384) | 28 | (12.7) |
| V5012 | 8 ³ / ₄ " x 11 ³ / ₄ " to 9 ¹ / ₄ " x 12 ¹ / ₂ " | 28" (711) | 13" x 16-1/4" (330 x 413) | 30 | (13.6) |
| V5013 | 9 ¹ / ₂ " x 12 ³ / ₄ " to 10 ¹ / ₄ " x 13 ¹ / ₂ " | 28" (711) | 13-1/3" x 17-1/8" (347 x 435) | 32 | (14.5) |
| V5014 | 9 ³ / ₄ " x 13 ³ / ₄ " to 10 ³ / ₄ " x 14 ¹ / ₂ " | 28" (711) | 14-1/8" x 18" (360 x 457) | 35 | (15.9) |
| Heated Models | | | | | |
| V6010 | 6 ³ / ₄ " x 9 ³ / ₄ " to 7 ³ / ₄ " x 10 ¹ / ₂ " | 28" (711) | 11-3/8" x 14-1/2" (290 x 368) | 30 | (13.6) |
| V6011 | 8" x 10 ³ / ₄ " to 8 ¹ / ₂ " x 11 ¹ / ₂ " | 28" (711) | 12-1/8" x 15-1/8" (309 x 384) | 32 | (14.5) |
| V6012 | 8 ³ / ₄ " x 11 ³ / ₄ " to 9 ¹ / ₄ " x 12 ¹ / ₂ " | 28" (711) | 13" x 16-1/4" (330 x 413) | 34 | (15.4) |
| V6013 | 9 ¹ / ₂ " x 12 ³ / ₄ " to 10 ¹ / ₄ " x 13 ¹ / ₂ " | 28" (711) | 13-1/3" x 17-1/8" (347 x 435) | 36 | (16.3) |
| V6014 | 9 ³ / ₄ " x 13 ³ / ₄ " to 10 ³ / ₄ " x 14 ¹ / ₂ " | 28" (711) | 14-1/8" x 18" (360 x 457) | 39 | (17.7) |

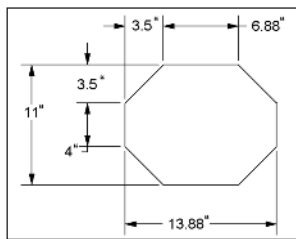
Measurements in () denote metric millimeters, unless otherwise specified.

Counter Cutout Diagrams

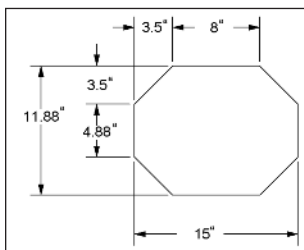
V4010, V5010, V6010



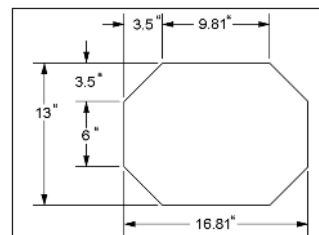
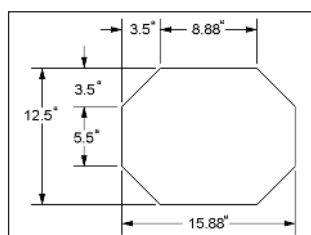
V4011, V5011, V6011



V4012, V5012, V6012



V4013, V5013, V6013



V4014, V5014,
V6014

LAKESIDE
MOVING FOODSERVICE FORWARD™

Lakeside Manufacturing, Inc.

4900 West Electric Avenue • West Milwaukee, WI 53219 U.S.A.
800-558-8565 • 414-902-6400 • Fax 414-902-6446
info@eLakeside.com • www.eLakesideFoodservice.com