

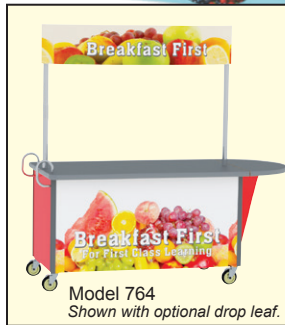
Breakfast / Snack Carts

Stainless Steel

Models 764, 768



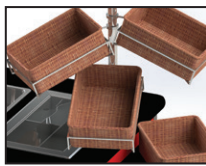
Model 768
Shown with optional hot and cold wells, and menu sign.



Model 764
Shown with optional drop leaf.



Optional warming/ chilled/utility drawers



Optional height-adjustable wicker baskets mount to support posts.

Add Mobility And Flexibility To Condiment Serving

Benefits

- Provide nutritious breakfast and snacks in various locations
- Rolls easily to serving location
- Colorful graphics attract students

Features

- Stainless steel welded cabinet with laminate top
- Variable-height overhead graphic banner
- Choice of standard or custom laminate finishes and graphics
- 33" high cash register shelf (Model 768)
- Ergonomic vertical push handles
- 18" drop leaf with swing-out support (optional on Model 764)
- Spacious interior storage compartment

Casters

- All-swivel 5" cushion tread, 2 with brakes

Standard Front And Top Panel Graphics Choices

 Breakfast First For First Class Learning	 Write Your Own Custom Message! Marker Board	 Breakfast First Marker Board
 Snack Shack	 Lunch n Munch	 Snack Shack Lunch n Munch

Custom graphics available.

Specifications:

Shall be Lakeside model _____ (764, 768) and shall have a 20-gauge stainless steel base cabinet with laminate exterior and top and stainless steel interior compartment with 18-gauge floor for ease of cleaning and sanitation. Unit shall feature variable-height overhead panel mounted on 1½" diameter stainless steel support posts to accept merchandising graphics. Panel shall be 12" H x 65" W (39" W on #768). Cart shall have 4 ea. 5" cushion tread casters, all-swivel, 2 ea. with brake. Casters shall be mounted to a 18-gauge stainless steel dolly for extra strength.

Model 768: Shall have dual-height top to accommodate cash register and 18" rounded dropleaf (33" height) with swing-out support.

Spec. #

A/A #

Lakeside Manufacturing, Inc.

4900 West Electric Avenue • West Milwaukee, WI 53219 U.S.A.

800-558-8565 • 414-902-6400 • Fax 414-902-6446 • info@eLakeside.com • www.eLakesideFoodservice.com

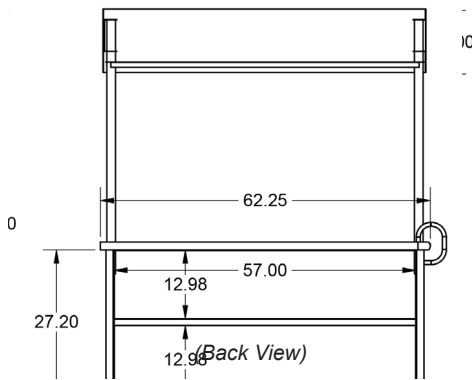
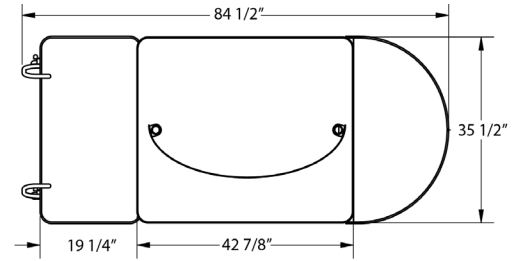
Breakfast / Snack Cart

Models 764, 768

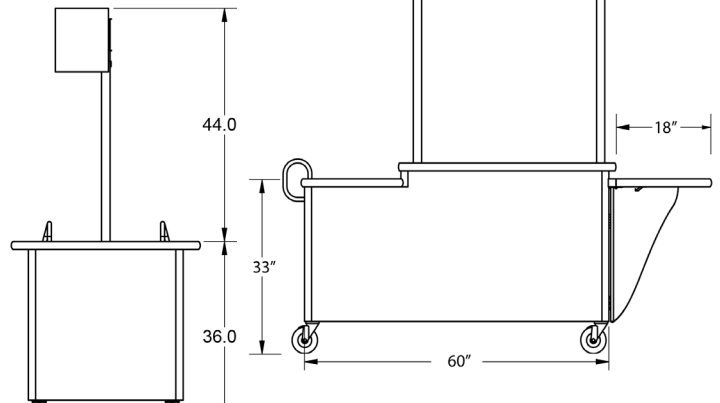
Stainless Steel

Spec. #

AIA #



Model 764



Model 768



This product can expose you to wood dust and chemicals including chromium, which are known to the State of California to cause cancer. For more information go to: www.P65Warnings.ca.gov

Model Information:

Model	Description	Counter Height	Top Size		Overall Size			Case Wt. Lbs. (Kg)
			W	L ¹	W	L ²	H ³	
764	Flat Top	36" (927)	35½"	62¼"	35½"	65½"	80"	239 (108.4)
768	2-Level Top w/Drop Leaf	Top 36" (927) Cashier Shf. 33" (832)	35½"	62¼"	35½"	84½"	80"	260 (117.9)

Dimensions in () denote metric millimeters, unless otherwise noted. Please specify laminate choice.

¹With leaf down. ²With leaf up (#768). ³With support posts fully extended.

Available Laminate Finishes



- Walnut
- Gray Sand
- Light Maple
- Victorian Cherry



- Beige Suede
- Hard Rock Maple
- Red Maple
- Red
- Green
- Black
- Royal Blue
- Purple

Options:

- Overhead LED lights (5 ea., 120V)
- Heated well(s) ___
- Battery pack for LED lights
- Eutectic chilled well(s) ___
- 18" drop leaf (Model 764)
- Custom laminate
- Warming drawer(s) ___
- Utility drawer(s) ___
- Eutectic chilled drawer(s) ___
- Menu sign
- Custom graphics



MOVING FOODSERVICE FORWARD™

Lakeside Manufacturing, Inc.

4900 West Electric Avenue • West Milwaukee, WI 53219 U.S.A.

800-558-8565 • 414-902-6400 • Fax 414-902-6446

info@eLakeside.com • www.eLakesideFoodservice.com