

Tray & Glass/Cup Rack Dispensers

Self-Leveling - Cantilever

Spec. # _____

A/A # _____



Model 820



Model 2814



Models

814, 816, 818, 819, 820

2814, 2816, 2818, 2819, 2820

Open Cantilever Style Fits Popular Size Trays And Racks.

- Field adjustable to assure proper ergonomic dispensing level.
- Accommodates these tray and rack sizes:
 - 10" x 20" rack
 - 12" x 22" tray
 - 14" x 18" tray
 - 15" x 20" tray
 - 20" x 20" rack
- Single and double platform models.
- Easy-to-clean and sanitize stainless steel construction.
- Corner bumpers protect walls and furnishings.
- Rolls easily on 4" (102 mm) heavy duty casters, 2 with brakes.
- Store used or empty tray/racks on platform base.

Specifications

Shall be of all-welded stainless steel construction and shall accept trays or racks on a stainless steel spring-loaded, self-leveling carriage(s). Carriage(s) shall be cantilevered to a vertical support on two each 14-gauge arms and shall feature a bank of tension springs concealed inside the vertical support. Spring tension for carriage(s) shall be field adjustable without tools by hooking or unhooking springs to or from the carriage, providing proper dispensing level. Carriage frame movement shall feature roller bearing guides for smooth vertical operation. Carriage platform shall be of 18-gauge stainless steel and vertical support panels and top shall be of 20-gauge stainless steel. Unit base shall be of 18-gauge stainless steel and feature vinyl corner bumpers. Unit shall have four each extra-load 4" diameter casters, two each with brake. Unit shall be NSF listed.

Lakeside Manufacturing, Inc.

4900 West Electric Avenue • West Milwaukee, WI 53219 U.S.A.

800-558-8565 • 414-902-6400 • Fax 414-902-6446 • info@eLakeside.com • www.eLakesideFoodservice.com

Models

814, 816, 818, 819, 820
2814, 2816, 2818, 2819, 2820

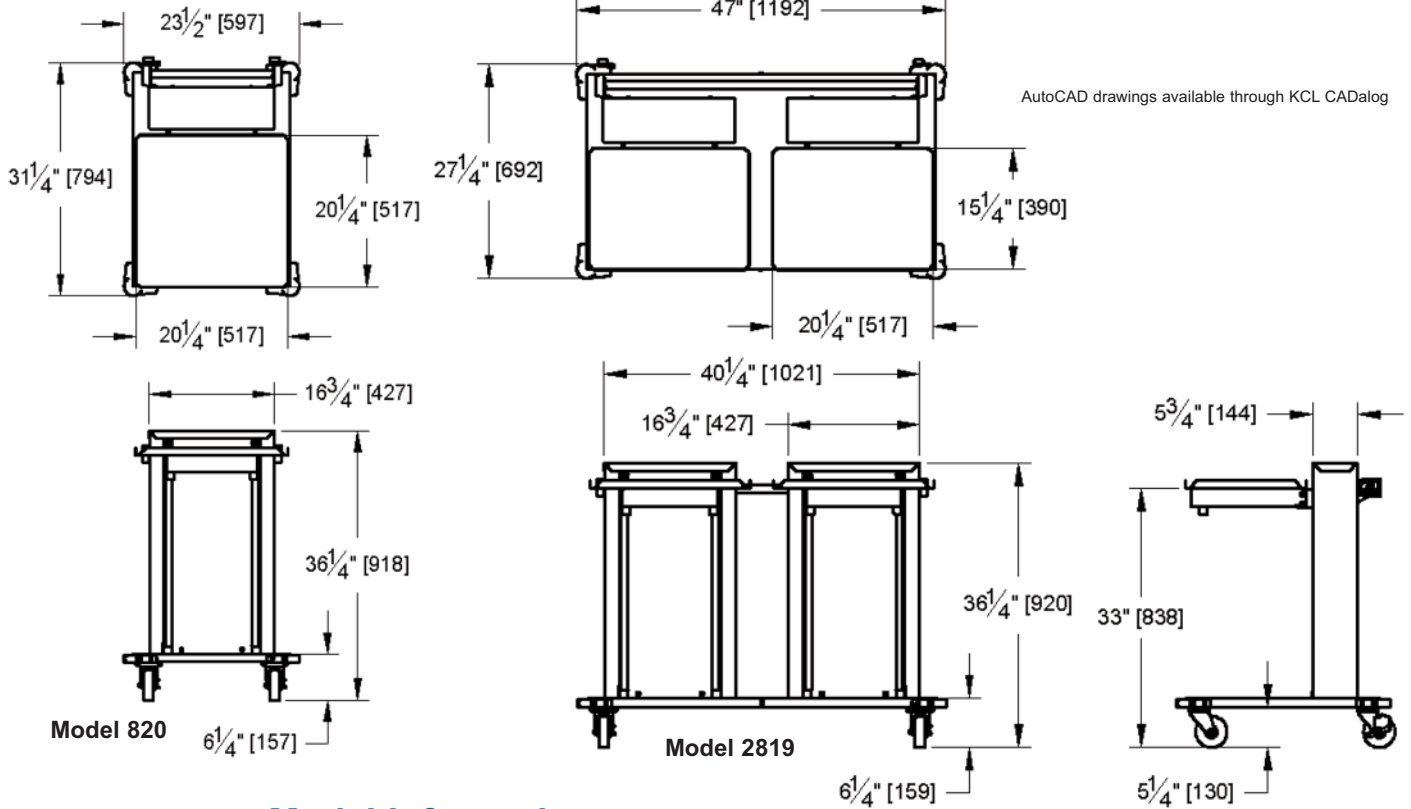
Tray & Glass/Cup Rack Dispensers

Self-Leveling - Cantilever

AutoCAD drawings available through KCL CADalog

AIA #

Spec. #



Model Information

Model	Overall Size			Number Of Platforms	Fits Trays/Racks	Case Wt. Lbs. (Kg)
	W	L	H			
814	23 1/2" (567)	32 1/2" 826	36 1/4" 918)	1	12" x 22" (305 x 559)	113 (51.4)
816	23 1/2" (567)	32 1/2" 826	36 1/4" 918)	1	10" x 20" (254 x 508)	111 (50.4)
818	23 1/2" (567)	26 1/2" 673	36 1/4" 918)	1	14" x 18" (356 x 457)	112 (50.8)
819	23 1/2" (567)	26 1/2" 673	36 1/4" 918)	1	15" x 20" (381 x 508)	113 (51.3)
820	23 1/2" (567)	31 1/4" 794	36 1/4" 918)	1	20" x 20" (508 x 508)	114 (51.7)
2814	24 1/4" (616)	47" 1194	36 1/4" 918)	2	12" x 22" (305 x 559)	224 (101.8)
2816	24 1/4" (616)	47" 1194	36 1/4" 918)	2	10" x 20" (254 x 508)	220 (100.0)
2818	27 1/4" (692)	47" 1194	36 1/4" 918)	2	14" x 18" (356 x 457)	222 (100.9)
2819	27 1/4" (692)	47" 1194	36 1/4" 918)	2	15" x 20" (381 x 508)	225 (102.3)
2820	32 1/4" (819)	47" 1194	36 1/4" 918)	2	20" x 20" (508 x 508)	226 (102.7)

Measurements in () denote metric millimeters, unless otherwise specified.



Lakeside Manufacturing, Inc.

4900 West Electric Avenue • West Milwaukee, WI 53219 U.S.A.
800-558-8565 • 414-902-6400 • Fax 414-902-6446
info@eLakeside.com • www.eLakesideFoodservice.com