



Model: _____ Item #: _____ Date: _____
 Project: _____ Qty: _____ Approved By: _____

Pass Thru Workstations

Royal Series Underbar



KRPT-42RP-10 shown

With optional single overshelf, bartender side floor panel, & stainless steel end panels.

Standard Features

Tray Shelf	22 gauge stainless steel w/ drain and perforated top
Dump Sink (Blender)	20 gauge stainless steel. 10" x 14" x 7" deep bowl w/ 1-1/2" drain in center
Blender Shelf	22 gauge stainless steel
Interior (Ice Bin)	20 gauge stainless steel
Soda Gun Holder	18 gauge stainless steel
Panels	Black laminated side panels
Cold Plate (Ice Bin)	Cast aluminum post mix plate with 10 circuits. Plate is sealed into bottom. Each circuit is 5/16" OD stainless steel tubing. Two full with remainder to be half circuits. Bump and wedge fittings on ends.
Front Aprons	20 gauge stainless steel clad over 20 gauge galvanized steel
Bottom	20 gauge stainless steel
Legs	1-5/8" tubular 16 gauge stainless steel with grey plastic bullet foot
Tubing Access	4" x 4" cutout with chase and gun holder
Electrical (Blender)	Receptical box located underneath blender shelf
Insulation (Ice Bin)	Foamed-in-place polyurethane
Plumbing	Cold Plate: 1/2" IPS drain connection Shelves: 1" IPS drain connection Sink Bowls: 1-1/2" IPS drain connection
Faucet	4" Center deck mount faucet with ceramic cartridge valves

Optional Accessories

KR-136	34" Stainless Steel Single Overshelf
KR-236	34" Stainless Steel Double Overshelf
KR-142	40" Stainless Steel Single Overshelf
KR-242	40" Stainless Steel Double Overshelf
KR-154	52" Stainless Steel Single Overshelf
KR-254	52" Stainless Steel Double Overshelf
KR-160	58" Stainless Steel Single Overshelf
KR-260	58" Stainless Steel Double Overshelf
KR-102	Convert Laminated Panels to Stainless Steel
KR-110	Stainless Steel Splash for Dump Sinks
KR-111	Condiment Tray
KR-112	Stainless Steel Divider (Long way)
KR-322	24" Partial Sliding Cover (Using Bottle Wells)
KR-323	24" Full Sliding Cover (No Bottle Wells)
KR-325	18" Full Sliding Cover (No Bottle Wells)
KR-415	Stainless Steel Bartender Floor Panel
30-160	Perforated Basket
KR-BR1	Bottle Wells for 24" Pass Thru



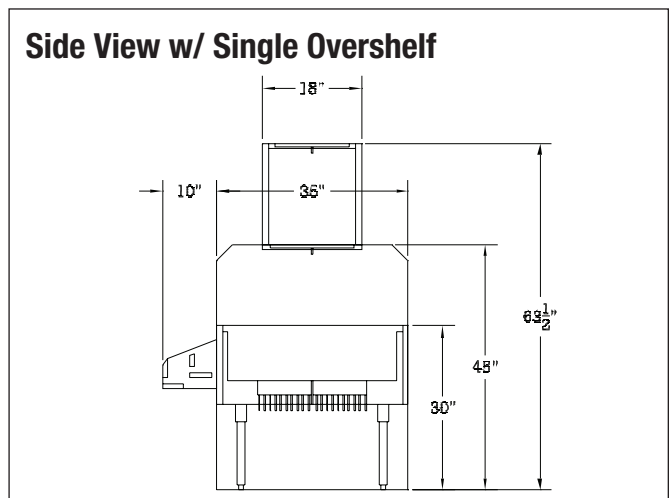
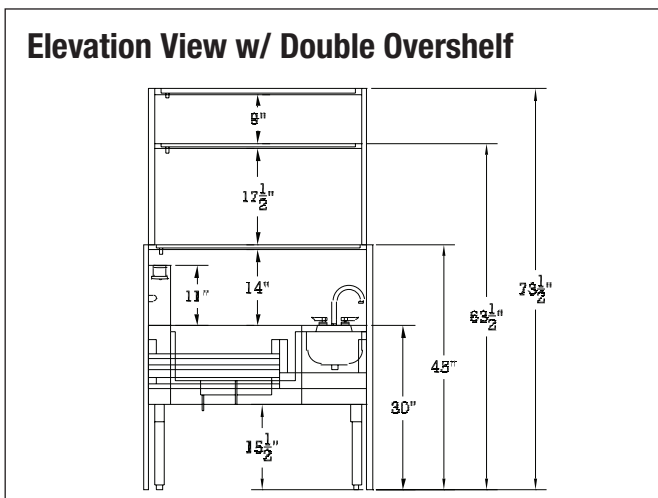
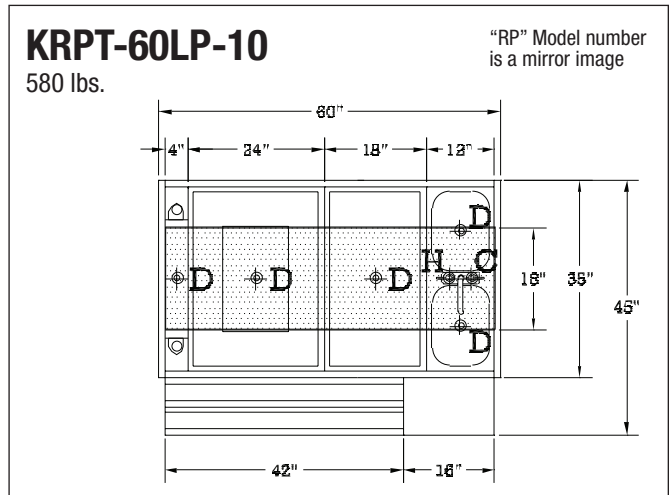
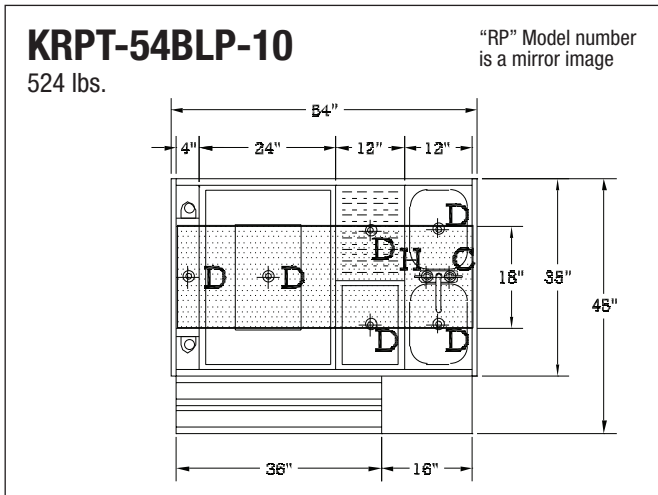
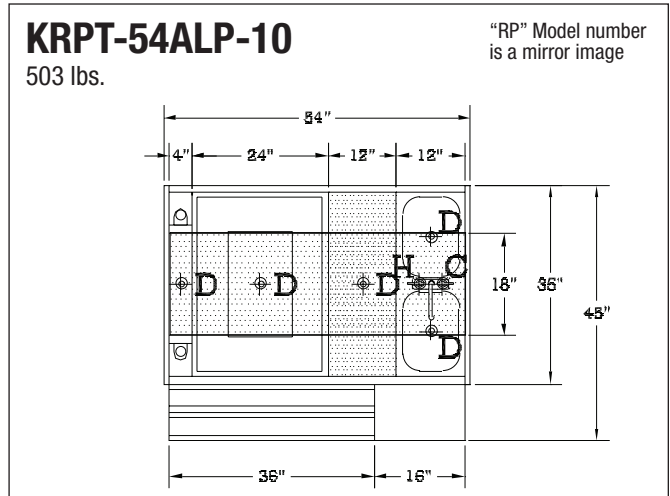
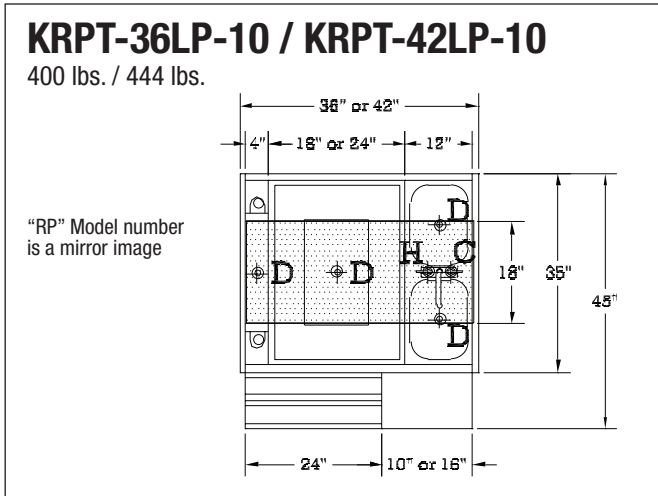


Model: _____ Item #: _____ Date: _____

Project: _____ Qty: _____ Approved By: _____

Pass Thru Workstations

Royal Series Underbar



Mechanical Requirements: 1/2" IPS Hot and Cold Water 1" IPS drain connection without Cold Plate.
1/2" IPS drain connection with Cold Plate 1-1/2" IPS drain connection on sink bowls