



Model: _____ Item #: _____ Date: _____

Project: _____ Qty: _____ Approved By: _____

Royal Series Three Compartment Bar Sinks

Royal Series Underbar



KR19-43L

Standard Features

- Royal Series wall mount faucet & drains w/ overflows included
- KR19 includes a wall mount faucet
- KR24 includes deck mount faucet
- 1-1/2" left rear corner drains (Model 23-122)

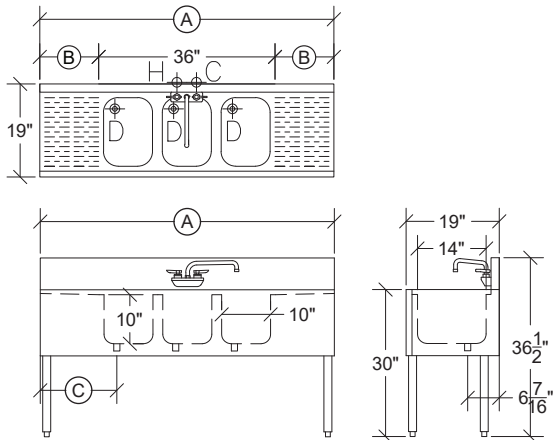
Specifications

- Sink Bowl**
 - 20 gauge stainless steel 10" x 14" x 10" deep
 - Furnished with 1-1/2" IPS rear corner drain and 7-1/2" overflow pipe
- Drainboard**
 - 20 gauge stainless steel reinforced with welded braces every 6"
- Front Apron**
 - 20 gauge stainless steel clad over 20 gauge galvanized steel
- Sides**
 - 20 gauge stainless steel
- Backsplash**
 - 20 gauge stainless steel
- Back & Bottom**
 - 20 gauge galvanized steel
- Legs**
 - 1-5/8" tubular 16 gauge stainless steel with grey plastic bullet foot
- Plumbing**
 - Hot/Cold Water: 1/2" IPS
 - Drain: 1-1/2" IPS
- Faucet**
 - 4" OC wall or deck mount faucet and ceramic cartridge valves

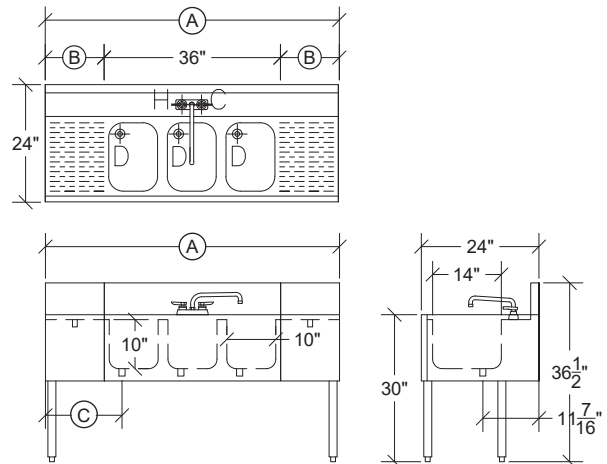
WARNING: Plumbing connections should be made by qualified personnel who will observe all applicable plumbing, sanitary and safety codes.



Model	Depth (Front to Back)	Length	Drainboard Size		Left Side to Drain	Bowls	Bowl Location	Wgt. (lbs.)
			(A)	(B)				
KR19-33C	19"	36"	-	-	4"	3	Center	55
KR19-43L	19"	48"	12"	-	4"	3	Left	60
KR19-43R	19"	48"	12"	-	15"	3	Right	60
KR19-53C	19"	60"	(2) 12"	-	15"	3	Center	69
KR19-63C	19"	72"	(2) 18"	-	21"	3	Center	75
KR19-73C	19"	84"	(2) 24"	-	27"	3	Center	86
KR19-83C	19"	96"	(2) 30"	-	33"	3	Center	94



Model	Depth (Front to Back)	Length	Drainboard Size		Left Side to Drain	Bowls	Bowl Location	Wgt. (lbs.)
			(A)	(B)				
KR24-33C	24"	36"	-	-	4"	3	Center	60
KR24-43L	24"	48"	12"	-	4"	3	Left	65
KR24-43R	24"	48"	12"	-	15"	3	Right	65
KR24-53C	24"	60"	(2) 12"	-	15"	3	Center	76
KR24-63C	24"	72"	(2) 18"	-	21"	3	Center	83
KR24-73C	24"	84"	(2) 24"	-	27"	3	Center	93



NOTE: Letter at end of Model Number represents Bowl Location