

THIS DRAWING IS THE PROPERTY OF JADE RANGE LLC NO PART OF THIS DOCUMENT MAY BE COPIED OR USED WITHOUT THE WRITTEN PERMISSION.

THIS DRAWING IS A CONCEPTUAL LAYOUT, SUBJECT TO CHANGES AS THE FINAL MANUFACTURING PARTS ARE CREATED.

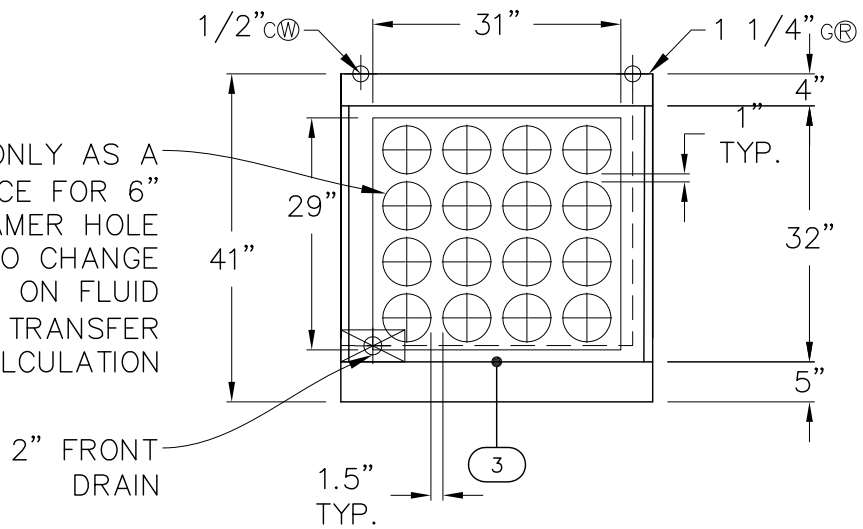
ITEM	QTY	MODEL #	DESCRIPTION	BTU/HR	AMP
3	1	JCS-39	CUSTOM TITAN CHINESE DIM SUM STEAMER	110,000	N/A

REVISIONS					
REV	DESCRIPTION	ECN	BY	DATE	APPROVED
A	INITIAL DRAWING PER REQUEST	XXX	ECS	05.29.18	

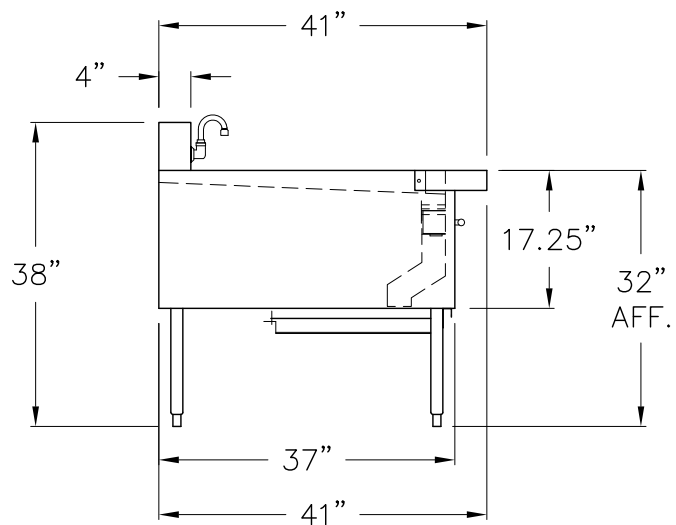
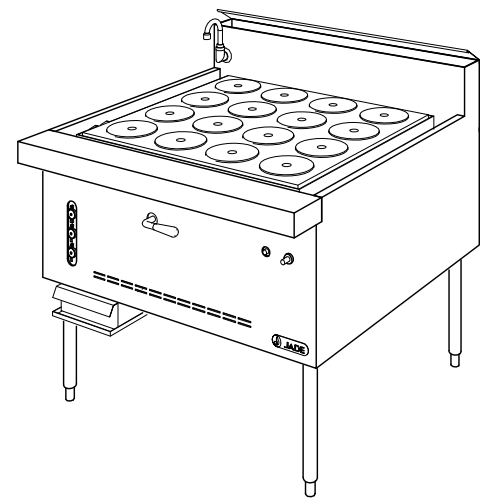
CHANGES TO DRAWING MAY RESULT IN CHANGES TO DELIVERY DATE & COST

NOTE:
 • All units ship assembled unless otherwise specified. Jade Range ships salamanders and cheesemelters range mounted and line-ups & suites ship in as large of sections as possible for easier assembly onsite at the time of install.

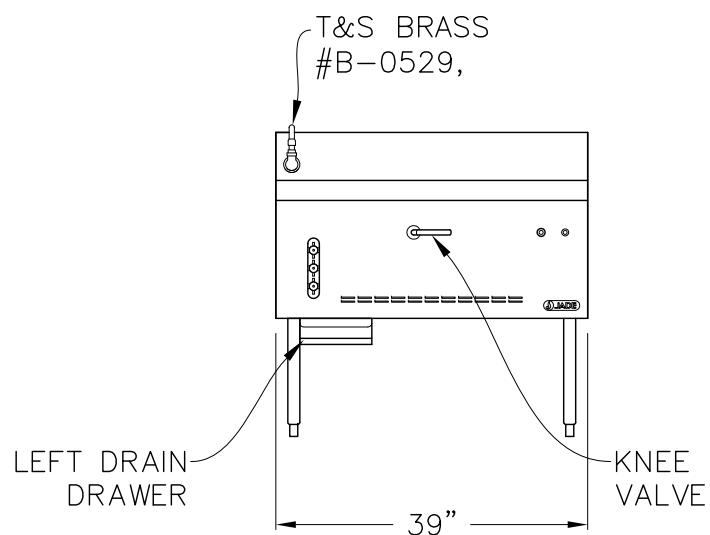
(x16) 6.0"Ø ONLY AS A VISUAL REFERENCE FOR 6" DIA BAMBOO STEAMER HOLE SUBJECTED TO CHANGE BASED ON FLUID DYNAMICS/HEAT TRANSFER CALCULATION



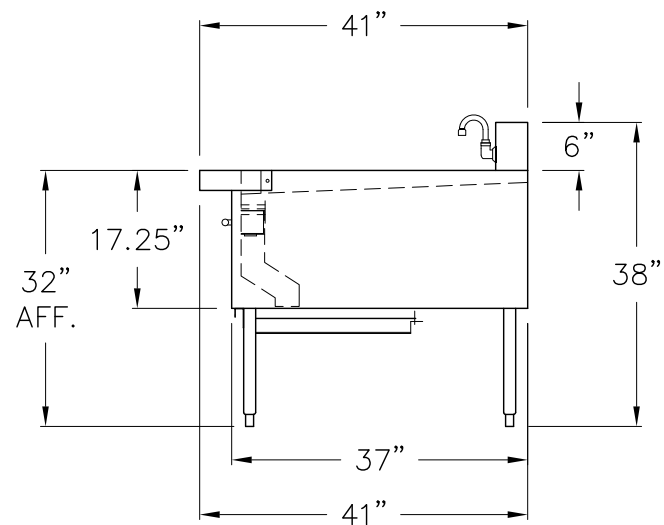
PLAN VIEW



SIDE VIEW



ELEVATION



SIDE VIEW

MIN 6" CLEARANCE ABOVE FLUE PEDESTALS

GAS TYPE:
 ELEVATION:
 TO BE SPECIFIED BEFORE MFG.

- 1. +GR REGULATOR AND GAS CONNECTION
- ⊕ ELECTRICAL CONNECTION
- ⊕ D DRAIN
- ⊕ R REFRIGERATION
- ⊕ W WATER
- 2. GAS SHUT-OFF VALVES AND CONNECTIONS SUPPLIED BY OTHERS.
- 3. ALL ELECTRICAL WORK (INSTALLATIONS AND CONNECTIONS) MUST BE PROVIDED BY OTHERS (BY CERTIFIED ELECTRICIAN)

PROJECT MANAGER: SERGIO FORCATTI



UNLESS OTHERWISE NOTED DIMENSIONS ARE IN INCHES AND TOLERANCES: .X±.125 .XX±.03 .XXX±.015. ANGLES ±1°

MATERIAL	DRAWN	ECS	05.29.18
FINISH	CHECKED		
	APPROVED		

DESC	Dim Sum Steamer		
FOR	SIZE	DWG NO	18288A
	B		
SCALE	1/2" = 1'-0"		SHEET 3 OF 3