

THIS DRAWING IS THE PROPERTY OF JADE RANGE LLC NO PART OF THIS DOCUMENT MAY BE COPIED OR USED WITHOUT THE WRITTEN PERMISSION.

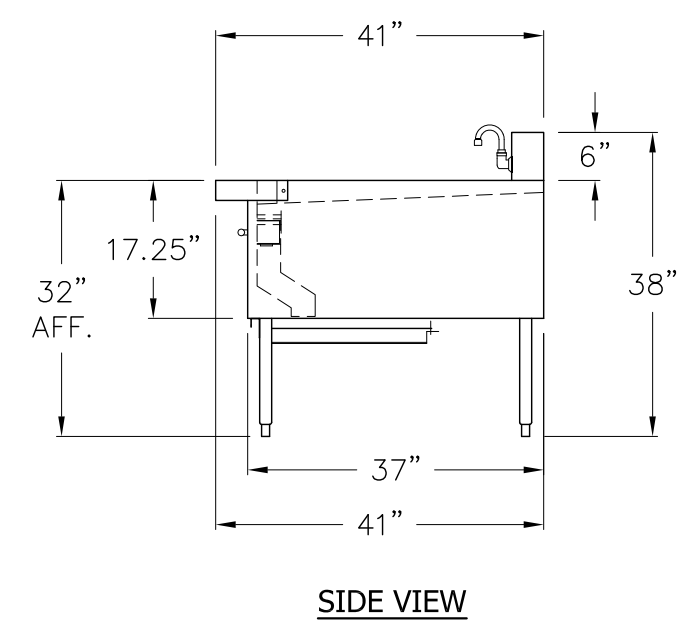
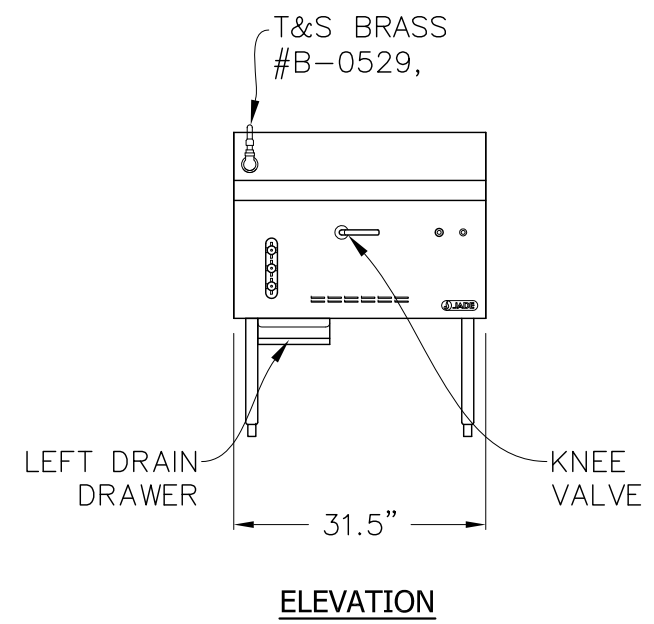
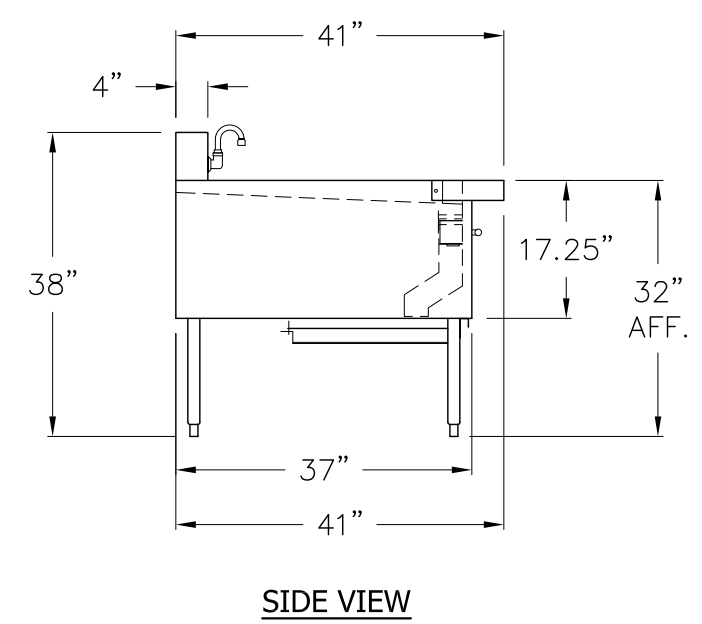
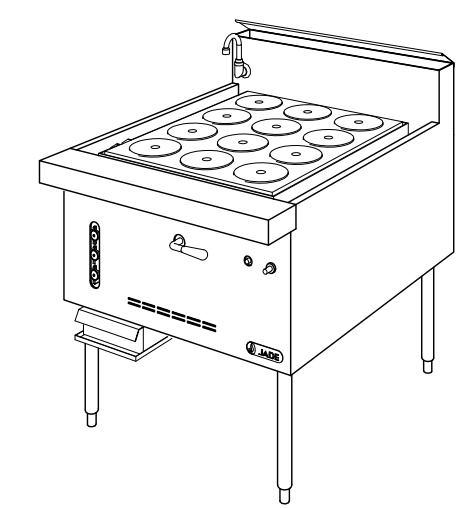
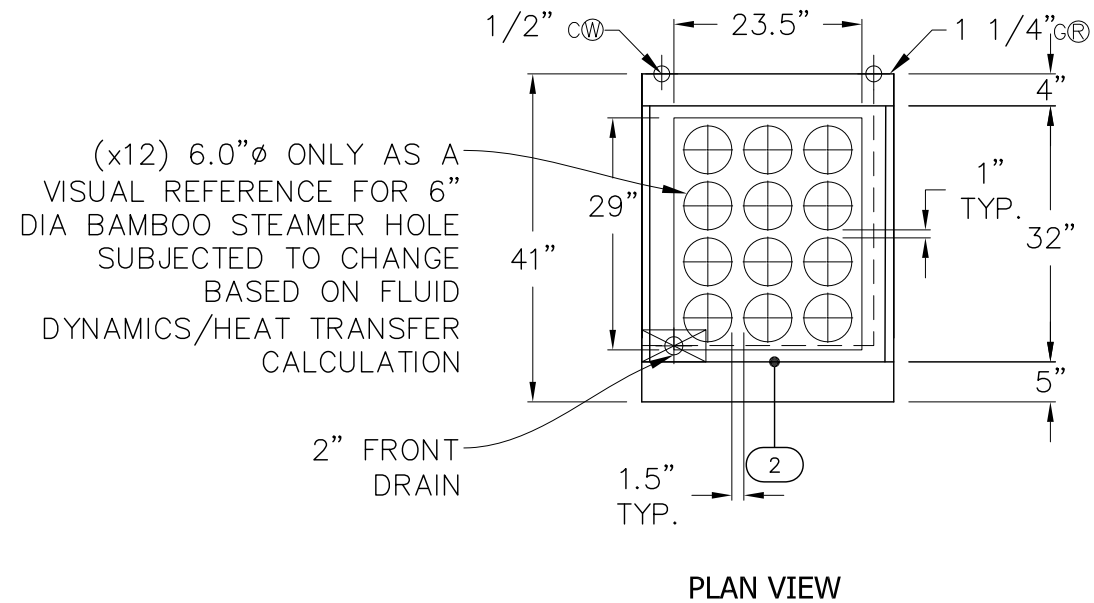
THIS DRAWING IS A CONCEPTUAL LAYOUT, SUBJECT TO CHANGES AS THE FINAL MANUFACTURING PARTS ARE CREATED.

| ITEM | QTY | MODEL # | DESCRIPTION | BTU/HR | AMP |
|------|-----|----------|--------------------------------------|--------|-----|
| 2 | 1 | JCS-31.5 | CUSTOM TITAN CHINESE DIM SUM STEAMER | 80,000 | N/A |

| REVISIONS | | | | | |
|-----------|-----------------------------|-----|-----|----------|----------|
| REV | DESCRIPTION | ECN | BY | DATE | APPROVED |
| A | INITIAL DRAWING PER REQUEST | XXX | ECS | 05.29.18 | |

CHANGES TO DRAWING MAY RESULT IN CHANGES TO DELIVERY DATE & COST

NOTE:
 • All units ship assembled unless otherwise specified. Jade Range ships salamanders and cheesemelters range mounted and line-ups & suites ship in as large of sections as possible for easier assembly onsite at the time of install.



MIN 6" CLEARANCE ABOVE FLUE PEDESTALS

1. GR REGULATOR AND GAS CONNECTION
 V ELECTRICAL CONNECTION
 D DRAIN
 R REFRIGERATION
 W WATER
2. GAS SHUT-OFF VALVES AND CONNECTIONS SUPPLIED BY OTHERS.
3. ALL ELECTRICAL WORK (INSTALLATIONS AND CONNECTIONS) MUST BE PROVIDED BY OTHERS (BY CERTIFIED ELECTRICIAN)

GAS TYPE:
 ELEVATION:
 TO BE SPECIFIED BEFORE MFG.

PROJECT MANAGER: SERGIO FORCATTI



UNLESS OTHERWISE NOTED DIMENSIONS ARE IN INCHES AND TOLERANCES: .X±.125 .XX±.03 .XXX±.015. ANGLES ±1°

| | | | |
|----------|----------|-----|----------|
| MATERIAL | DRAWN | ECS | 05.29.18 |
| FINISH | CHECKED | | |
| | APPROVED | | |

| | | | |
|-------|-----------------|--------|--------|
| DESC | Dim Sum Steamer | | |
| FOR | SIZE | DWG NO | 18288A |
| | B | | |
| SCALE | 1/2" = 1'-0" | SHEET | 2 OF 3 |