

THIS DRAWING IS THE PROPERTY OF JADE RANGE LLC NO PART OF THIS DOCUMENT MAY BE COPIED OR USED WITHOUT THE WRITTEN PERMISSION.

THIS DRAWING IS A CONCEPTUAL LAYOUT, SUBJECT TO CHANGES AS THE FINAL MANUFACTURING PARTS ARE CREATED.

ITEM	QTY	MODEL #	DESCRIPTION	BTU/HR	AMP
1	1	JCS-24	CUSTOM TITAN CHINESE DIM SUM STEAMER	80,000	N/A
				TOTAL GAS BTU/HR:	80,000
				TOTAL AMPS:	N/A

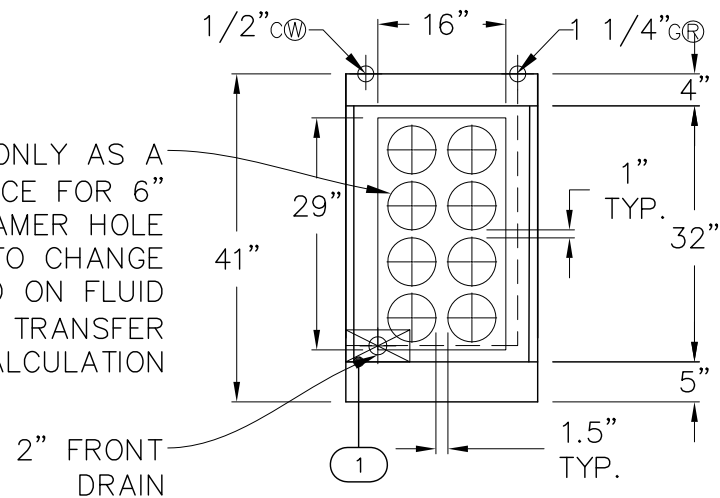
REVISIONS					
REV	DESCRIPTION	ECN	BY	DATE	APPROVED
A	INITIAL DRAWING PER REQUEST	XXX	ECS	05.29.18	

CHANGES TO DRAWING MAY RESULT IN CHANGES TO DELIVERY DATE & COST

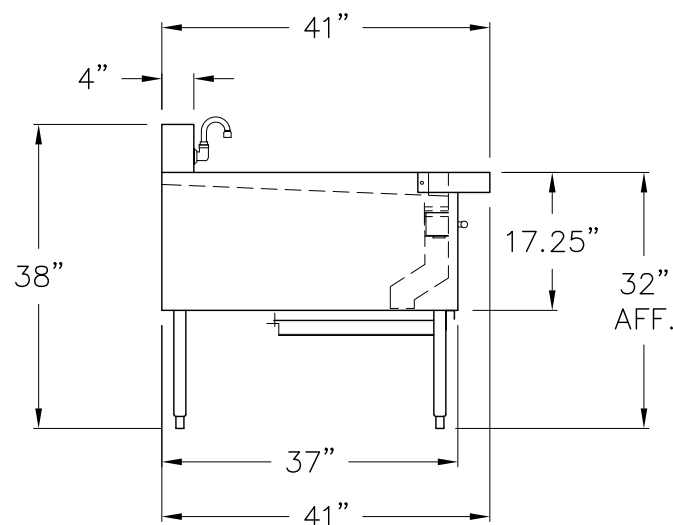
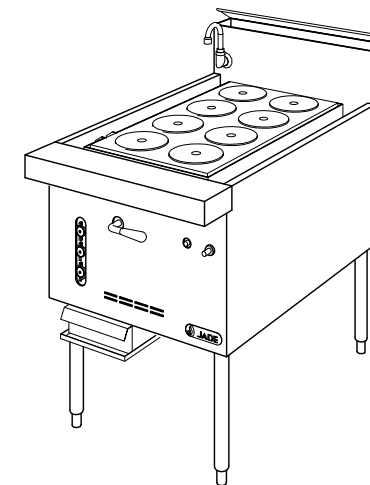
NOTE:

- All units ship assembled unless otherwise specified. Jade Range ships salamanders and cheesemelters range mounted and line-ups & suites ship in as large of sections as possible for easier assembly onsite at the time of install.

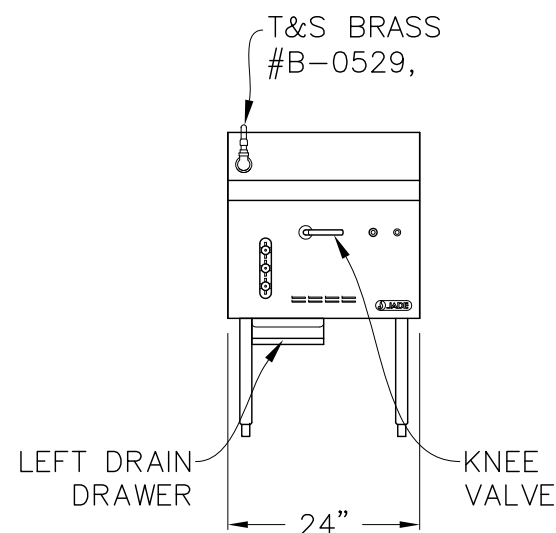
(x8) 6.0"Ø ONLY AS A VISUAL REFERENCE FOR 6" DIA BAMBOO STEAMER HOLE SUBJECT TO CHANGE BASED ON FLUID DYNAMICS/HEAT TRANSFER CALCULATION



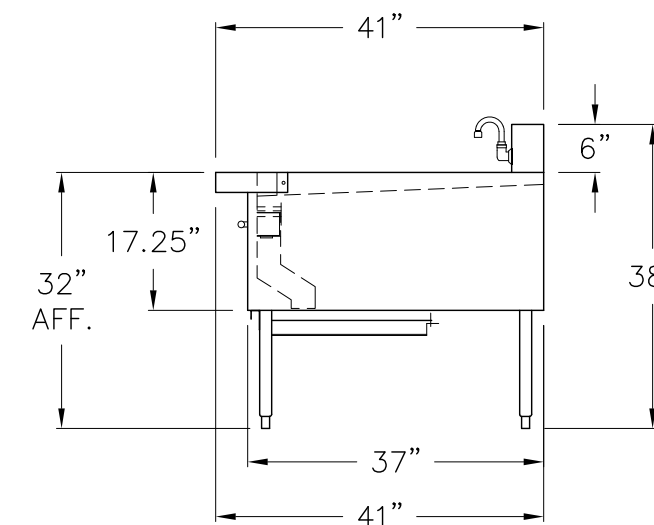
PLAN VIEW



SIDE VIEW



ELEVATION



SIDE VIEW

MIN 6" CLEARANCE ABOVE FLUE PEDESTALS

- REGULATOR AND GAS CONNECTION
- ELECTRICAL CONNECTION
- DRAIN
- REFRIGERATION
- WATER
- GAS SHUT-OFF VALVES AND CONNECTIONS SUPPLIED BY OTHERS.
- ALL ELECTRICAL WORK (INSTALLATIONS AND CONNECTIONS) MUST BE PROVIDED BY OTHERS (BY CERTIFIED ELECTRICIAN)

GAS TYPE:
ELEVATION:
TO BE SPECIFIED BEFORE MFG.

PROJECT MANAGER: SERGIO FORCATTI



UNLESS OTHERWISE NOTED DIMENSIONS ARE IN INCHES AND TOLERANCES: .X±.125 .XX±.03 .XXX±.015. ANGLES ±1°

MATERIAL	DRAWN	ECS	05.29.18
FINISH	CHECKED		
	APPROVED		

DESC	Dim Sum Steamer		
FOR	SIZE	DWG NO	18288A
	B		
SCALE	1/2" = 1'-0"		SHEET 1 OF 3