



# CONTROL CENTER MODEL AS-101

## INDUSTRY EXCLUSIVE! WATER SAVING CONTROL CENTER

### WATER SAVING FEATURES

- The AquaSaver® control center provides an on-demand water-saving system for InSinkErator foodservice disposers
- The AS-101 control center senses the load of the disposer and regulates the amount of water necessary for grinding and non-grinding situations

### SPECIFICATIONS

#### STAINLESS STEEL ENCLOSURE

- NEMA 4
- Stainless steel construction
- Easy to clean and keep clean

#### AUTOMATIC REVERSING CONTROL

- Reverses direction of motor at each startup
- Increases cutting element life and reduces jams

#### REVERSING DELAY

- Disposer will not reverse while motor is in motion
- Protects motor from burn out from operator misuse

#### AUTOMATIC DROP OUT SYSTEM

- If a power loss occurs, control will automatically disengage power lines
- Disposer must be restarted

#### DISCONNECT SWITCH

- Disconnects electrical power beyond switch for service
- Interlock with front cover

#### SOLID STATE CONTROL

- Operates on 24V

#### SOLID STATE CONTROL CIRCUIT

- Printed circuit board with control diagnostic/function lights, delay timers and timed run pin and reversing control

#### POST WATER FLUSH

- Adjustable timer allows water to run automatically for up to 10 minutes, flushing disposer and drain lines after disposer is shut off

#### TIMED RUN OR CONTINUOUS RUN

- Selected at your discretion, simply by moving the plug-in pin on the printed circuit board
- Timed run shuts off disposer automatically after 10 minutes
- Can be shut off manually any time

#### SOLENOID VALVE/FLOW CONTROL VALVE

- Two 24V solenoid valves included
- 1 GPM (3.8 LPM) and 7 GPM (26.5 LPM) flow control valves included

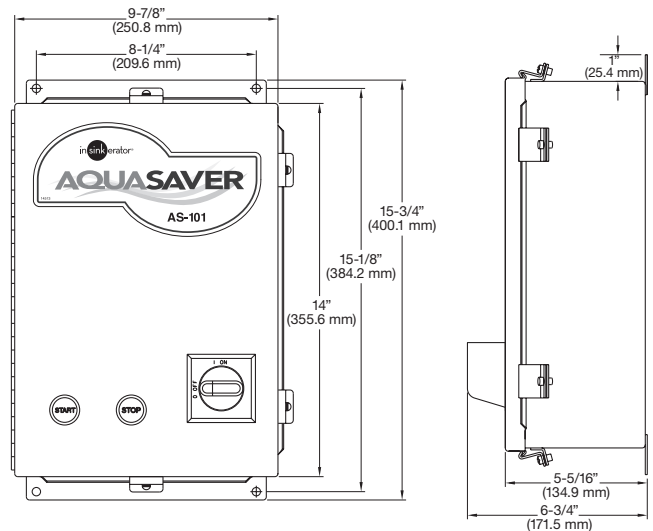
### VOLTAGE/PHASE AVAILABILITY

Model	Voltage/Hz	Phase	Disposer Models
AS101K-5	120V, 50/60 Hz	1 Ph	SS-100 to SS-200
AS101K-6	208-240V, 50/60 Hz	1 Ph	SS-100 to SS-200
AS101K-7	208-240V, 50/60 Hz	3 Ph	SS-100 to SS-1000
AS101K-8	380-460V, 50/60 Hz	3 Ph	SS-100 to SS-1000



*\*Standard warranty is 1-year from date of installation. New AquaSaver® control system installations that include a new disposer and new AS-101 control center are eligible for a 3-year warranty on the entire system, including disposer.*

### DIMENSIONS



A complete collection of our product drawings is available for download at the InSinkErator Revit/CAD Library, which can be found at [www.insinkerator.com/foodservice](http://www.insinkerator.com/foodservice). Product information is also accessible on **The KCL CADalog**. More information is available from KCL at [www.kclcad.com](http://www.kclcad.com).



4700 21st STREET  
 RACINE, WI 53406  
 TEL: 800-845-8345  
 FAX: 262 554-3620

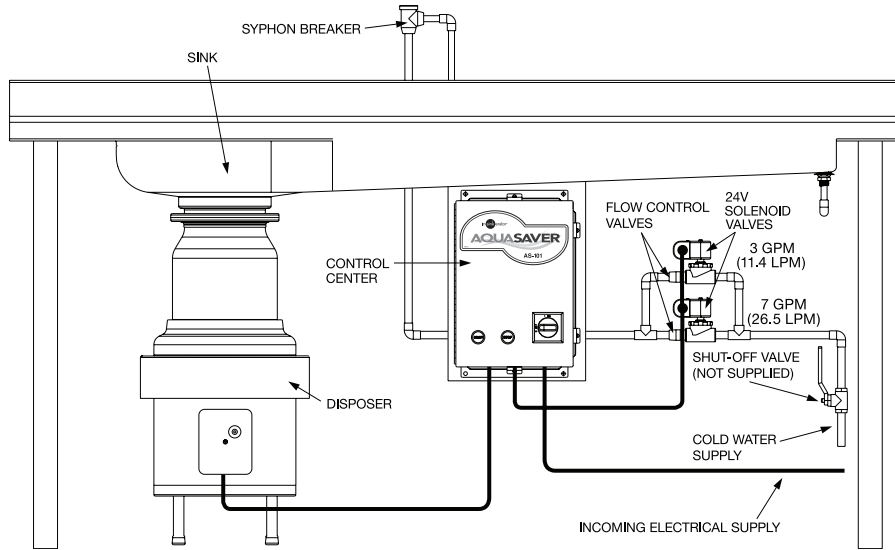
[www.insinkerator.com/foodservice](http://www.insinkerator.com/foodservice)



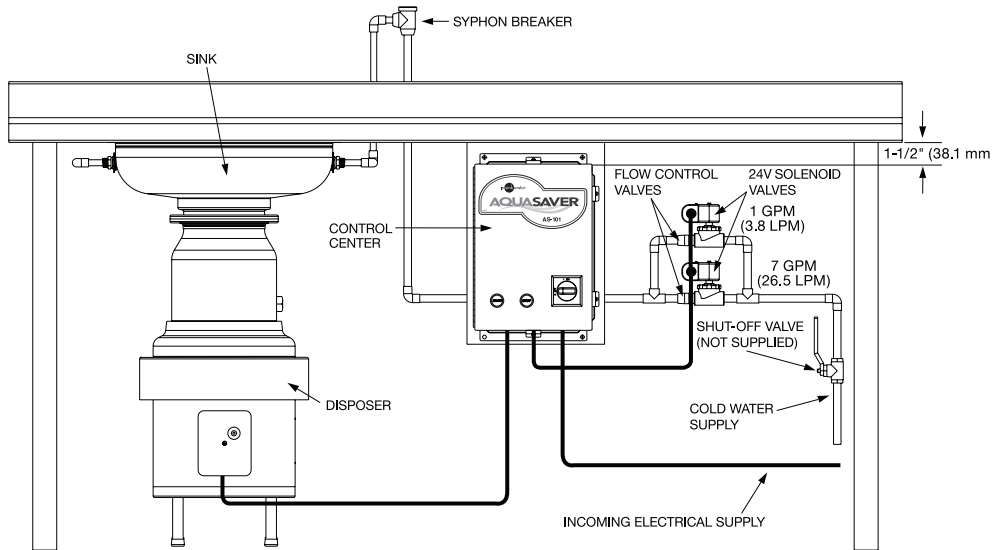
The Emerson logo is a trademark and a service mark of Emerson Electric Co.



## TYPICAL TROUGH MOUNT APPLICATION



## TYPICAL BOWL MOUNT APPLICATION



NOTE: The AquaSaver® control center should be mounted 1-1/2" (38.1 mm) back from the front surface of the table.

## AS-101 FEATURES

