



GAS

OPEN BURNERS | HOT PLATES STEP UP

IMPERIAL



IHPA-3-36SU

Model Numbers

IHPA-2-12SU

IHPA-4-24SU

IHPA-6-36SU

IHPA-8-48SU



LARGE 5" (127 MM) STAINLESS STEEL LANDING LEDGE FOR CONVENIENT PLATING.

OPEN BURNERS

- PyroCentric™ 32,000 BTU (9 KW) anti-clogging burner with a 7,000 BTU/hr. (2 KW) low simmer feature. Two rings of flame for even heating.
- Burners are anti-clogging and lift-off and separate for easy cleaning.
- No gaskets or screws.
- One standing pilot per burner for instant ignition.

GRATES

- Anti-clogging pilot is designed into the grate to shield the pilots from grease and debris.
- Pots slide easily from section to section and onto landing ledge.
- Grates are cast iron for a long service life.

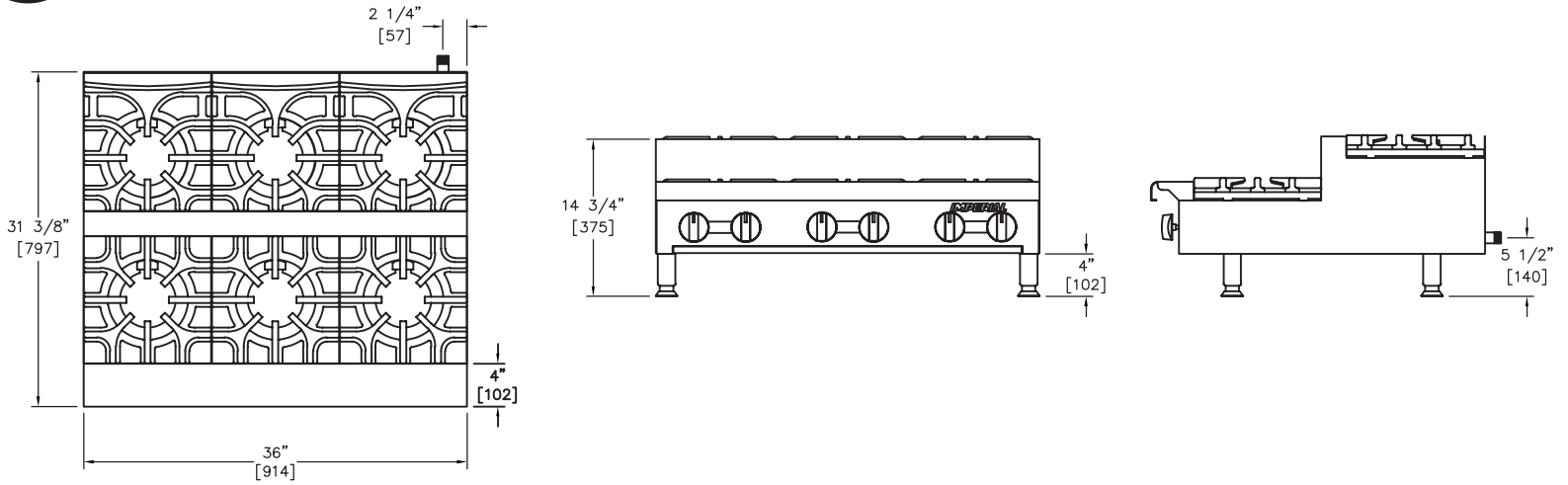
EXTERIOR FEATURES

- Stainless steel front, sides and landing ledge for cleanability and professional look.
- Welded and polished stainless steel seams.
- Range Match profile when placed on a refrigerated base or equipment stand.
- Stainless steel landing ledge is ideal for plating.
- Control knobs are durable die cast metal for long life.
- Full width, removable crumb tray for easy cleaning.
- 4" (102 mm) heavy duty legs with adjustable feet.
- One year parts and labor warranty.

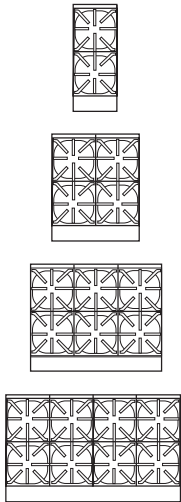


GAS

OPEN BURNERS | HOT PLATES STEP UP



GAS HOT PLATES - STEP UP



| WIDTH | MODEL | OPEN BURNERS | GAS OUTPUT | | SHIP WEIGHT | |
|------------|-------------|--------------|------------|----|-------------|-----|
| | | | BTU | KW | KG | LBS |
| 12" (305) | IHPA-2-12SU | 2 | 64,000 | 19 | 41 | 90 |
| 24" (610) | IHPA-4-24SU | 4 | 128,000 | 38 | 68 | 150 |
| 36" (914) | IHPA-6-36SU | 6 | 192,000 | 56 | 114 | 250 |
| 48" (1219) | IHPA-8-48SU | 8 | 256,000 | 75 | 145 | 320 |

| MODEL | DIMENSIONS | CRATED DIMENSIONS |
|-------------|--|---|
| IHPA-2-12SU | 12" W X 31-3/8" D X 14-3/4" H (305 X 797 X 381 MM) | 14-1/2" W X 34" D X 17" H (368 X 864 X 432 MM) |
| IHPA-4-24SU | 24" W X 31-3/8" D X 14-3/4" H (610 X 797 X 381 MM) | 26-1/2" W X 34" D X 17" H (673 X 864 X 432 MM) |
| IHPA-6-36SU | 36" W X 31-3/8" D X 14-3/4" H (914 X 797 X 381 MM) | 38-1/2" W X 34" D X 17" H (978 X 864 X 432 MM) |
| IHPA-8-48SU | 48" W X 31-3/8" D X 14-3/4" H (1219 X 797 X 381 MM) | 50-1/2" W X 34" D X 17" H (1283 X 864 X 432 MM) |

Notes: Measurements in () are metric equivalents.
Crated Dimensions: 12" h (305). Add 2 1/2" (64) to Hot Plate depth and width. Add 4" (102) to height for Step-up style.

OPTIONS AND ACCESSORIES

- Stainless steel equipment stands
- 6" (152 mm) casters for equipment stands
- 10" (254 mm) stainless steel wok ring
- Saute burner head, interchangeable
- Wok burner head, interchangeable
- Stainless steel wok ring
- Gas shut off valve 3/4" N.P.T
- Quick disconnect and flexible gas hose 3/4" N.P.T

CLEARANCE REQUIREMENTS

Provide 0" clearance from non-combustible surfaces and 8" (203 mm) from combustible surfaces.

| MANIFOLD PRESSURE | | |
|-------------------|-------------|---------------|
| NATURAL GAS | PROPANE GAS | MANIFOLD SIZE |
| 5.0" W.C. | 10.0" W.C. | 3/4" (19 MM) |

