

35 Series Service Case Double Duty - Deli



Pass-Thru Model

Model No.	Description	Length	Depth	Height	Voltage	Amps	HP/BTUs	Power Cord	Est. Ship Weight
SC-CDS35-4-LED	Self-contained	50"	37.5"	52"	115	12.0	1/4	YES	500
SC-CDS35-6-LED	Self-contained	71"	35.5"	52"	115	12.0	1/3	YES	645
SC-CDS35-8-LED	Self-contained	95"	35.5"	52"	115	16.0	1/2	YES	900
SC-CDS35-10-LED	Self-contained	119"	35.5"	52"	115	13.8	1/2	NO	1230
SC-CDS35-12-LED	Self-contained	143"	35.5"	52"	115	17.4	3/4	NO	1344
SC-CDS35-4-PT-LED	Self-contained	50"	37.5"	52"	115	12.0	1/4	YES	500
SC-CDS35-6-PT-LED	Self-contained	71"	35.5"	52"	115	12.0	1/3	YES	645
SC-CDS35-8-PT-LED	Self-contained	95"	35.5"	52"	115	16.0	1/2	YES	900
R-CDS35-4-LED	Remote	50"	37.5"	52"	115	0.8	1400	NO	460
R-CDS35-6-LED	Remote	71"	35.5"	52"	115	1.3	2100	NO	595
R-CDS35-8-LED	Remote	95"	35.5"	52"	115	1.6	2800	NO	845
R-CDS35-10-LED	Remote	119"	35.5"	52"	115	2.4	3500	NO	1175
R-CDS35-12-LED	Remote	143"	35.5"	52"	115	2.4	4200	NO	1295

MODEL NUMBER PREFIX - SC = Self-contained R = Remote
 MODEL NUMBER SUFFIX - W = White B = Black S = Stainless Steel LED = LED - lighting
 • Cases are designed to operate at 75 degrees Fahrenheit and 55% relative humidity
 • Cases are equipped with drains; check your local building codes for connection requirements.
 • Specification subject to change without notice
 IF COLORS ARE MIXED AN ADDITIONAL CHARGE WILL APPLY



35 Series Service Case Double Duty - Deli

Standard Specifications and Optional Features

CONSTRUCTION

- UL - Classified to ANSI/NSF 7
- Foamed in place CFC free foam
- Thermal insulated front glass - 26" H
- Heavy gauge steel super structure
- Bottom storage
- Drain is included for cleaning

INTERIOR

- White, black or stainless steel ends
- Stainless steel heavy gauge mezzanine shelf
- White aluminum floor (bottom storage area)
- Air insulated baffle (prevents moisture from dripping into display area)

EXTERIOR

- Double pane rear removable doors
- Rear compression door jamb
- Removable front grille allows for cleaning
- Removable rear grille for easy servicing
- 1" Front Bumper

FINISHES

- White, black or stainless steel front and ends
- Stainless steel mirror trim
- Stainless steel heavy gauge top - 17.375" W
- Bottom rear is designer white, black or stainless steel aluminum

LIGHTING

- 2 rows of lighting at top of unit

ELECTRICAL REQUIREMENTS

- 115V 4', 6', & 8' with power cord
- Unit must be hard wired, 10' & 12' only
- UL/CUL listed
- 115V-5AMP general purpose receptacle (wired separately) 10' & 12' only

REFRIGERATION

- Copevap system (eliminates need for condensate pan)
- Self-contained - R513A expansion valve system
- Remote - R448A expansion valve system
- Gravity coil located at inside top of unit
- Automatic defrost electronically controlled (Self-contained units only)
- Electronically control maintains constant temperatures
- Remotes available

OPTIONS

- LED - lit
- LED - lit shelf
- Scale stand
- Paper cutter
- Stainless steel, laminate, or paint
- Mirrored doors
- Extra stainless steel mezzanine shelf
- Drop work shelf
- 1" Special color front bumper
- Door lock
- Digital thermometer
- Pass thru front doors 4', 6', 8' only
- Salad pan settings

Important Note:

All refrigerated cases are designed to operate in an environment of 75 degrees and 55% relative humidity. Product must be cooled before being displayed within the case.

DRAIN IS REQUIRED

35 Series Service Case Double Duty - Deli

Technical Data

Model No.	SC R	SC-CDS35-4-LED R-CDS35-4-LED	SC-CDS35-6-LED R-CDS35-6-LED	SC-CDS35-8-LED R-CDS35-8-LED	SC-CDS35-10-LED R-CDS35-10-LED	SC-CDS35-12-LED R-CDS35-12-LED
Length		50"	71"	95"	119"	143"
Height		52"	52"	52"	52"	52"
Depth		35.5"	35.5"	35.5"	35.5"	35.5"
Depth with bottom door (Dimensions are +/- 1/4")		37.5"				
Operating temperature		36°F to 40°F	36°F to 40°F	36°F to 40°F	36°F to 40°F	36°F to 40°F
Refrigerant (exp. valve)	SC	R513A	R513A	R513A	R513A	R513A
Refrigerant (exp. valve)	R	R448A	R448A	R448A	R448A	R448A
Compressor size HP	SC	1/4	1/3	1/2	1/2	3/4
Defrost per day (24 hours)	Air Defrost	1 per day	1 per day	1 per day	1 per day	1 per day
BTU's at +20°F Evap. Temp.	R	1400	2100	2800	3500	4200
Voltage	SC	115	115	115	115	115
Amperage	SC	12.0	12.0	16.0	13.8	17.4
Remote Voltage	R	115	115	115	115	115
Amperage, lights only	R	0.8	1.3	1.6	2.4	2.4
Cord and plug	SC	YES	YES	YES	NO	NO
	R	NO	NO	NO	NO	NO
Exterior color		W, B, S	W, B, S	W, B, S	W, B, S	W, B, S
Interior color		W, B, S	W, B, S	W, B, S	W, B, S	W, B, S
Inside end panels		W, B, S	W, B, S	W, B, S	W, B, S	W, B, S
Floors		W, B, S	W, B, S	W, B, S	W, B, S	W, B, S
# of top doors		2	2	4	4	4
Door size		19.56" x 19.25"	29.81" x 19.25"	19.56" x 19.25"	23.81" x 19.25"	29.81" x 19.25"
# of bottom doors	SC	1 external	2	2	2	4
	R	2	2	2	4	4
# of coils		2	2	2	2	2
Bottom storage		Yes	Yes	Yes	Yes	Yes
Front glass		26" x 45"	26" x 66"	26" x 90"	26" x 114"	26" x 138"
# of main deck shelves		2	3	4	5	6
Main deck size		31.625" x 22.25"	31.625" x 22.25"	31.625" x 22.25"	31.625" x 22.25"	31.625" x 22.25"
Cubic capacity		30	45	60	75	90
Mezzanine shelf		45.25" x 12.00"	66.50" x 12.00"	(2) 45.25" x 12.00"	(2) 57.25" x 12.00"	(2) 69.25" x 12.00"
Shipping Info						
Height		58"	58"	58"	58"	58"
Depth		44"	44"	44"	44"	44"
Length		61"	87"	109"	135"	157"
Gross weight SC/R		500/460	645/595	900/845	1230/1175	1344/1295
Cubic feet		90	128	160	200	231

(ALL WHITE OR ALL BLACK, NO EXTRA CHARGE—IF COLORS ARE MIXED AN ADDITIONAL CHARGE WILL APPLY)

Prefix

SC = Self-contained
R = Remote

Suffix

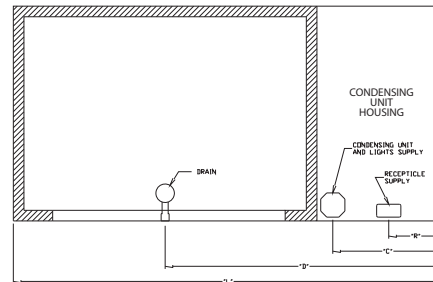
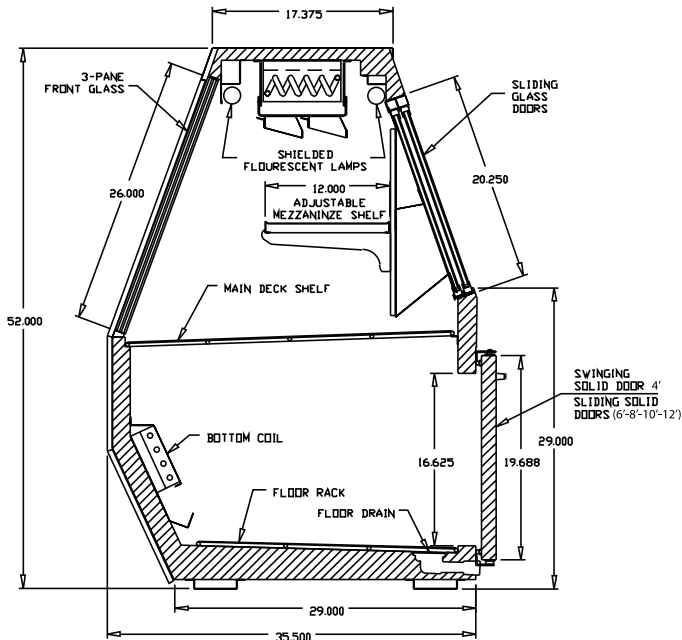
B = Black
W = White
S = Stainless Steel
LED = LED lighting

- Cases are designed to operate at 75 degrees Fahrenheit and 55% relative humidity
- Cases are equipped with drains; check your local building codes for connection requirements.
- Specification subject to change without notice

35 Series Service Case Double Duty - Deli

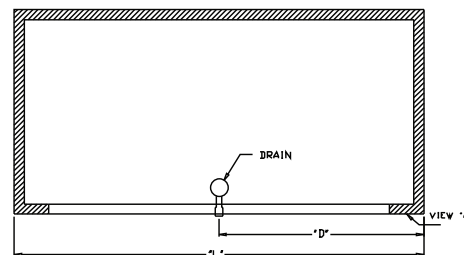
Technical Data • Side View • Plan View

CROSS SECTION



SIZE	"L"	"R"	"C"	"D"
4	50	25	25	33
6	71	9	18.250	45.875
8	95	9	18.250	57.875
10	119	9	18.250	69.875
12	143	9	18.250	81.875

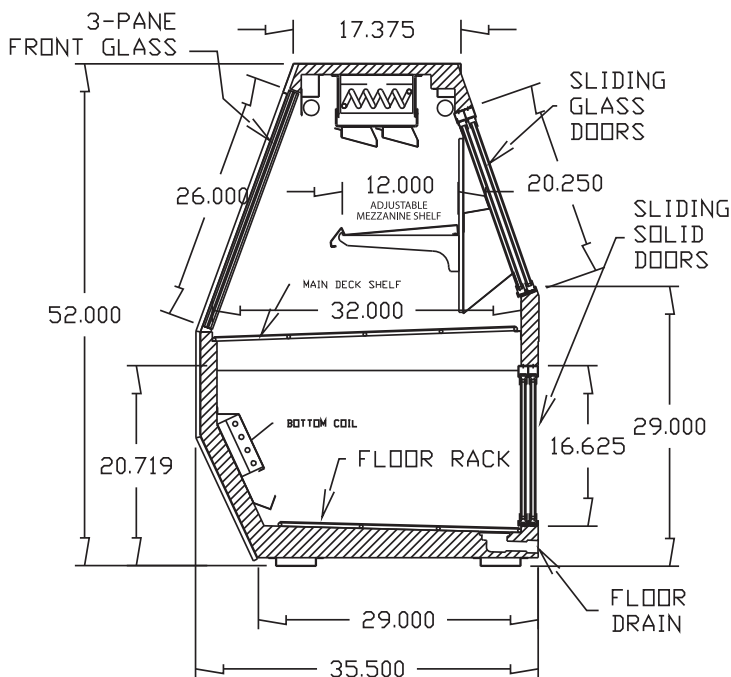
Plan View Self-contained



SIZE	"L"	"D"
4	50	25.00
6	71	35.50
8	95	47.50
10	119	59.50
12	143	61.50

Plan View Remote

CROSS SECTION - PASS THRU



BACK VIEW - PASS THRU

