



DD Series

Direct Draw Refrigerator with Swing Door



DD Series
04/17/20
Item # 13535

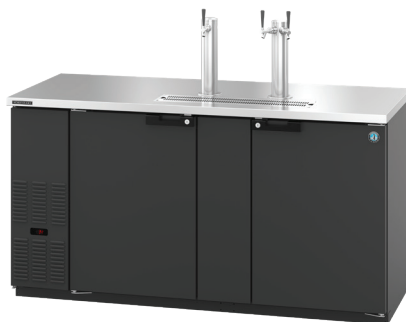
- DD59
- DD80
- DD59-S*
- DD80-S*
- DD69
- DD95
- DD69-S*
- DD95-S*



DD59



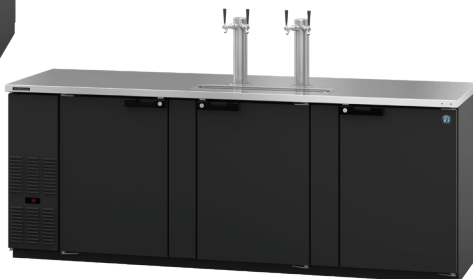
DD59-S*



DD69(-S*)



DD80(-S*)



DD95(-S*)

Item #: _____
 Project: _____
 Qty: _____
 AIA#: _____

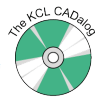
Features

- ▶ Heavy duty 18-gauge stainless steel top
- ▶ Stainless steel interior with LED lights
- ▶ Polished stainless-steel insulated towers with plated brass faucet

- Black vinyl coated exterior front, sides, and rear
- Stainless steel threshold protects door frame from damage when loading and unloading
- Front breathing, side mount refrigeration is easily accessible by sliding out front for cleaning and service
- Zero clearance requirements sides and rear
- Electronic controller with digital LED display (°F or °C)
- Cabinet walls and doors are insulated with 2" environmentally friendly, CFC free foamed-in-place polyurethane
- Keg cushion to protect floor and allow air to circulate below kegs
- Self-closing doors come standard with locks
- Cabinets are designed to maintain interior temperatures between 32°F to 38°F
- Engineered to maintain NSF-7 temperatures in 100°F ambient
- Environmentally friendly R290 refrigerant

Model	Cabinet Dimensions W x D x H	Capacity (AHAM) cu ft	Door(s)	Tower(s)	Tap(s)	1/2 Kegs	HP	Amps	Voltage	NEMA Plug	Shipping Dimensions W x D x H	Shipping Weight (lbs.)
DD59(-S*)	59.5" x 29" x 36.88"	18.45 ft ³	2	2	3	2**	1/3	2.5	115	5-15P	62.5" x 31.25" x 42.5"	345 / 310 (-S)
DD69(-S*)	69.5" x 29" x 36.88"	21.80 ft ³	2	2	3	3	1/3	2.5	115	5-15P	72.5" x 31.25" x 42.5"	360 / 350 (-S)
DD80(-S*)	80" x 29" x 36.88"	28.74 ft ³	3	2	4	4	1/3	2.5	115	5-15P	82.5" x 31.25" x 42.5"	385 / 375 (-S)
DD95(-S*)	95.5" x 29" x 36.88"	32.53 ft ³	3	2	4	5	1/3	2.5	115	5-15P	98.5" x 31.25" x 42.5"	430 / 420 (-S)

**DD59 will also accommodate (1) ¼ slim keg.



Options & Accessories

- * (-S) Stainless steel exterior option available - made to order.
- HS-5408 - Caster & rail kit (2 rails, 4 casters, hardware)
- HS-5409 - Caster & rail kit (3 rails, 6 casters, hardware)

Warranty

- 3 Year Parts and labor
- 5 year Compressor

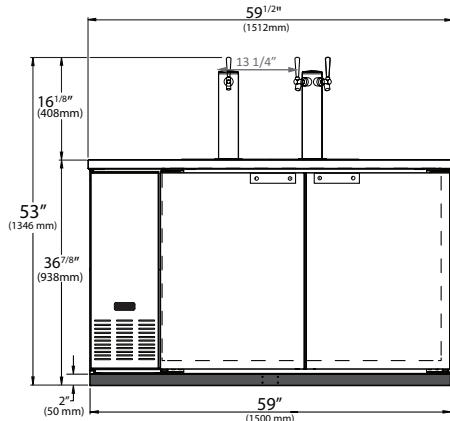
Hoshizaki reserves the right to change specifications without notice.



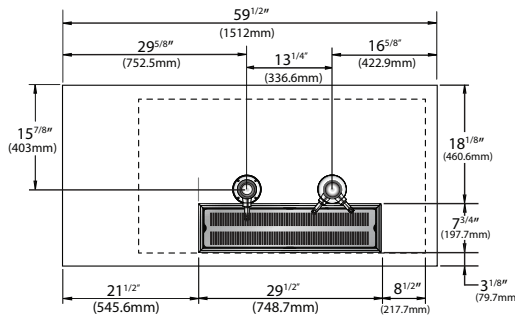
DD Series

Direct Draw Refrigerator with Swing Door

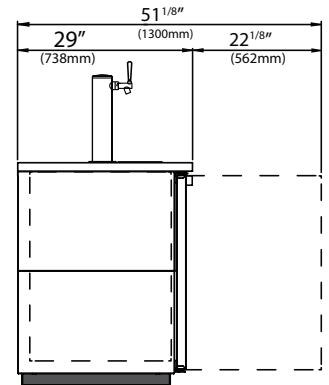
DD Series
04/17/20
Item # 13535



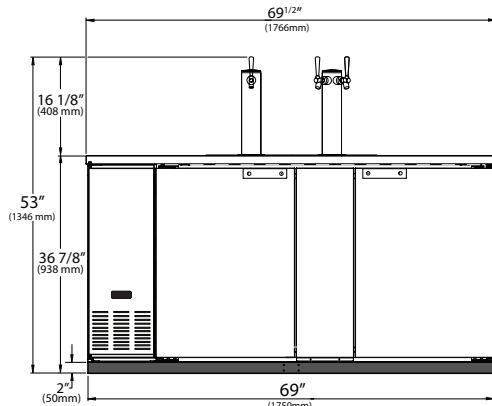
DD59(-S) Front View



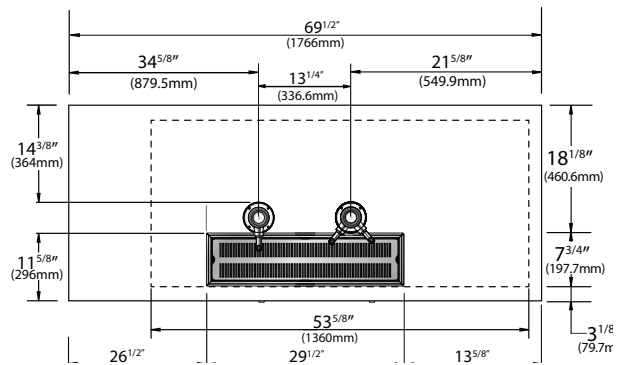
DD59(-S) Plan View



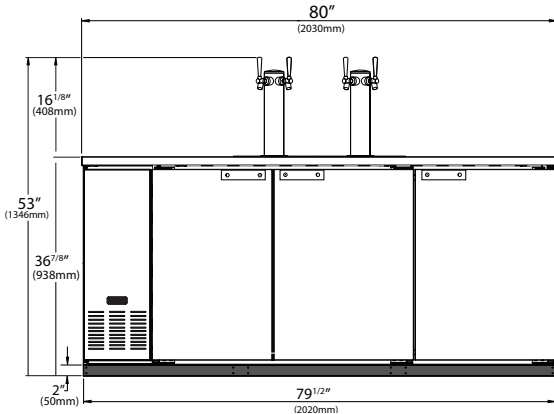
All Models Side View



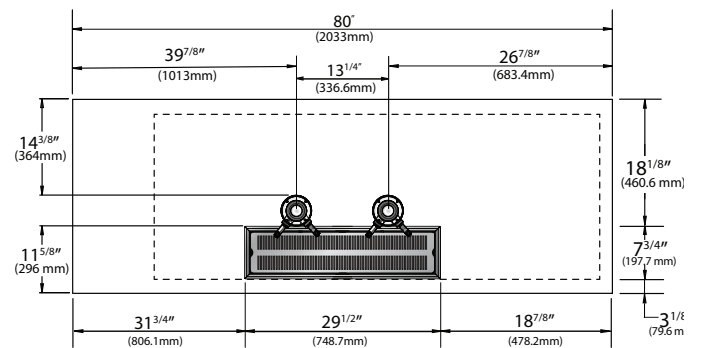
DD69(-S) Front View



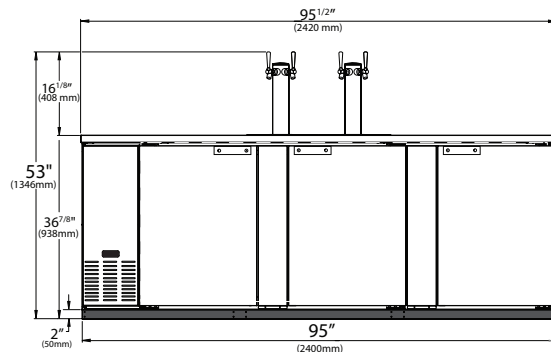
DD69(-S) Plan View



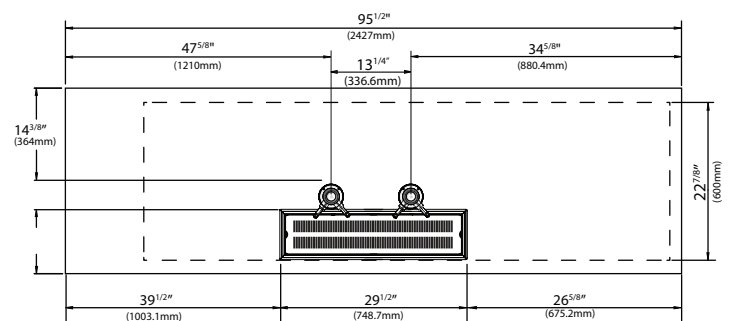
DD80(-S) Front View



DD80(-S) Plan View



DD95(-S) Front View



DD95(-S) Plan View