



Project \_\_\_\_\_  
 AIA # \_\_\_\_\_ SIS # \_\_\_\_\_  
 Item # \_\_\_\_\_ Quantity \_\_\_\_\_ C.S.I. Section 114000



## LXeH HOT Undercounter



### STANDARD FEATURES

- + 32 racks per hour
- + .74 gallons of water per rack
- + Hot water sanitation unit
- + Low chemical alert indicators
- + Sense-A-Temp™ booster heater capable of 70° rise
- + Delime notification with cycle
- + Chemical pump “auto-prime”
- + Service diagnostics
- + Deep drawn stainless steel tank
- + Microcomputer, top mounted controls with digital cycle/temperature display
- + Revolving upper and lower anti-clogging wash arms
- + Revolving upper and lower rinse arms
- + Removable stainless steel scrap screen
- + Corrosion resistant pump
- + Automatic pumped drain
- + 17" door opening
- + Automatic fill
- + Detergent and rinse aid pumps standard
- + Electric tank heat
- + Two dishracks – one peg and one combination type



### OPTIONS & ACCESSORIES (Available at extra cost)

- Power cord kits
- Stainless steel base with 6" legs
- 17" stainless steel stand with storage
- External caster kit
- DWT-LXe drain water tempering kit – to comply with plumbing codes
- Splash reduction panels

### SPECIFIER STATEMENT

Specified unit will be a NSF rated high temperature undercounter dishwasher operating on a hot water supply only with a 17" door opening. Features low chemical and delime notifications, .74 gallons per rack, LED temp and operator display, service diagnostics, rinse aid and detergent pumps. Constructed of stainless steel.

**1-year parts and labor warranty.**

LXe SERIES – LXeH HOT

Approved by \_\_\_\_\_ Date \_\_\_\_\_ Approved by \_\_\_\_\_ Date \_\_\_\_\_

## LEGEND

Electrical Connections	
E1	Electrical connection: 1-3/8" dia. hole for 1" trade size conduit; 4-5/8" AFF.
Plumbing Connections	
P1	Single fill and rinse connection: 3/4" female garden hose fitting on 6' long hose supplied with machine; 110°F water min. for LXeH.
P2	Drain connection: 5/8" barb fitting with 6' long hose supplied with machine.

**WARNING: Plumbing and electrical connections should be made by qualified personnel who will observe all the applicable plumbing, sanitary, safety codes and National Electrical Code.**

Required flowing pressure to the dishmachine is 15-65 PSIG. If pressures higher than 65 PSIG are present, a pressure regulating valve must be installed in the water line to the dishmachine (by others).

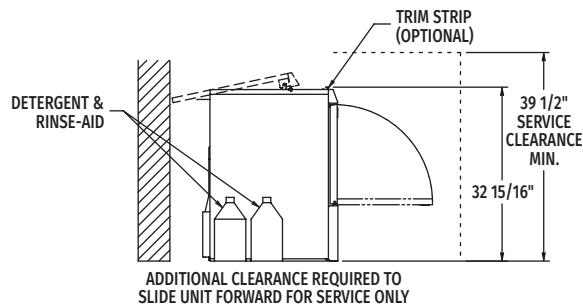
Pressure gauge not required on pumped rinse machines.

Heat Output, BTU/Hour	
Latent	Sensible
4,600	4,000

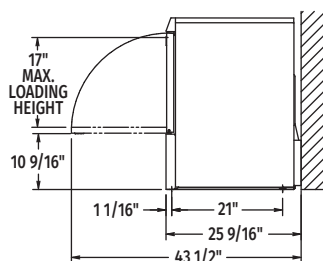
## (E1) STANDARD ELECTRICAL OPTIONS

Tank Heat, Booster, Pump & Controls			
Voltage	Rated Amps	Minimum Supply Circuit Ampacity	Maximum Protective Device
208-240/60/1	30.5	40	40
120/208-240(3W)60/1*	30.5	40	40
208-240/60/3	23.9	30	30
220-240/50/1	30.5	40	40

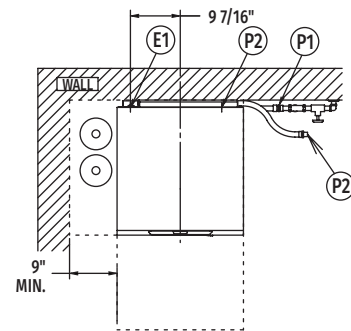
**NOTE:** For supply connections, use copper wire only rated at 90°C minimum.  
 \*This system requires three power wires which includes a current carrying neutral, an additional fourth wire must be provided for machine ground.  
 Accessory cord kit available for all machines.



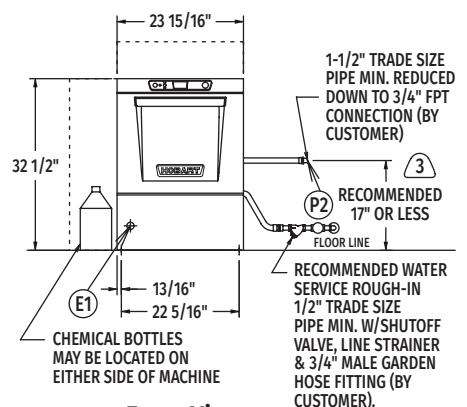
Left Side View



Right Side View



Top View



Front View

## SPECIFICATIONS

### Capacities

Cycle Time (seconds)	109
Racks per Hour	32
Tank Capacity – Gallons	2.9

### Motor Horsepower

Wash	0.85
Rinse	0.19

### Water Consumption

U.S. Gallons per Rack (maximum use)	0.74
U.S. Gallons per Hour (maximum use)	23
Peak Drain Flow – U.S. Gallons	4.0

### Temperatures °F

Wash	150
Rinse	180
Incoming Water Temperature (minimum recommended)	110

### Heating

Tank Heat, electric (kW)	1.8
Electric Booster (kW)	4.9

### Standard 20" x 20" (508 x 508) Rack Complement

Flat	1
Peg	1

Shipping Weight (approximate) . . . . . 170 lbs.

Crated Dimensions. . . . . 28"W x 30"L x 37"H

MODEL:  
LXeH  
00-947871  
REV C