

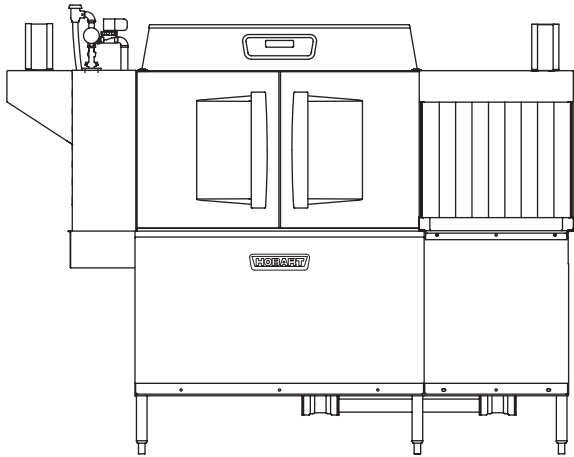


Project \_\_\_\_\_  
 AIA # \_\_\_\_\_ SIS # \_\_\_\_\_  
 Item # \_\_\_\_\_ Quantity \_\_\_\_\_ C.S.I. Section 114000



## CLCS76eN-BAS ELECTRIC

### High Temperature Corner Scrapper Rack Conveyor Dishwashing Machine



#### STANDARD FEATURES

- + 245 racks per hour
- + 22" power scrapper
- + Opti-Rinse™ system
- + Rapid return conveyor drive mechanism
- + Large double door opening for ease of cleaning
- + Doors are insulated & hinged with door interlock switches
- + 19.5" chamber height opening (accepts sheet pans)
- + Top mounted micro-processor control module
- + Energy saver mode (programmable auto-shut down)
- + Dirty water indicator
- + Manager activated low temperature alert
- + NSF rated configurable pot and pan dwell mode
- + Configurable "intelligent" de-lime notification
- + Service diagnostics
- + Self-aligning wash manifolds
- + Stainless steel anti-clogging wash arms
- + Stainless steel self-draining pump and impeller
- + Single, sloping scrap screen and deep scrap basket
- + Stainless panels enclose perimeter and bottom
- + Door actuated drain closure
- + Convertible hot water or low temp final rinse
- + Vent fan control
- + Booster heater control
- + ENERGY STAR® Certified

CLEAN SERIES – CLCS76eN-BAS ELECTRIC



#### SPECIFIER STATEMENT

Specified dishwasher will be Hobart CLCS76eN Base electric tank heat model with corner scrapper and Opti-Rinse™. Includes 245 racks per hour capacity, 22" power scrapper, dirty water indicator, configurable "intelligent" de-lime notification, insulated ergonomic cabinet style doors, top mounted computer controls, and NSF approved pot and pan cycle mode. The wash tank utilizes durable precision pressure sensor monitors in lieu of conventional mechanical floats.

#### OPTIONS & ACCESSORIES (Available at extra cost)

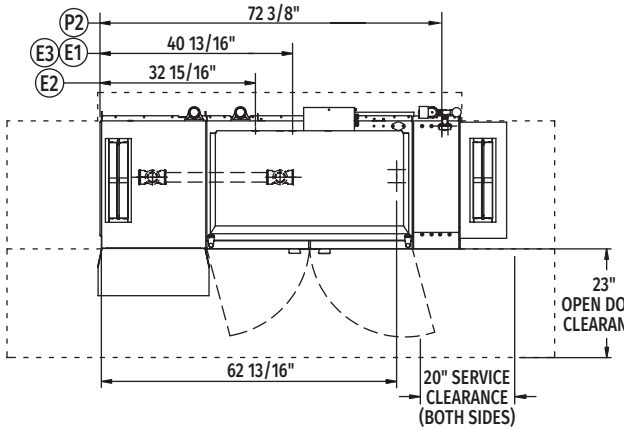
- Standard, short, and extended stainless steel vent hoods
- Internal stainless steel pressure-less 30 kW booster heater field convertible to 15 kW (booster includes PRV)
  - + Dual point electrical connection standard on 208/60/3 and 240/60/3 voltage machines, when equipped with internal booster; single point kits available (see page 3)
  - + Single point connection standard on 480/60/3 voltage machines, when equipped with internal booster
- Direct drive unloader – adds 38" length. Reference spec F39520 for more details
- Blower-dryer – adds 33¾" to length; reference spec F40252 for more details (ships separate from dishmachine, contact Hobart Service for installation)
- Drain water tempering kit (field installed)
- Flanged feet kit (requires two kits)
- Higher than standard chamber (24" opening)
- Table limit switch with 10' wire
- Correctional package (contact Hobart for details)
- Pressure regulator valve (PRV), for use with external booster
- Water shock absorber kit
- Factory-mounted circuit breakers (contact Hobart for details)
- Field installed single point kits available for 208/60/3 and 240/60/3 machines when equipped with internal booster

Approved by \_\_\_\_\_ Date \_\_\_\_\_ Approved by \_\_\_\_\_ Date \_\_\_\_\_

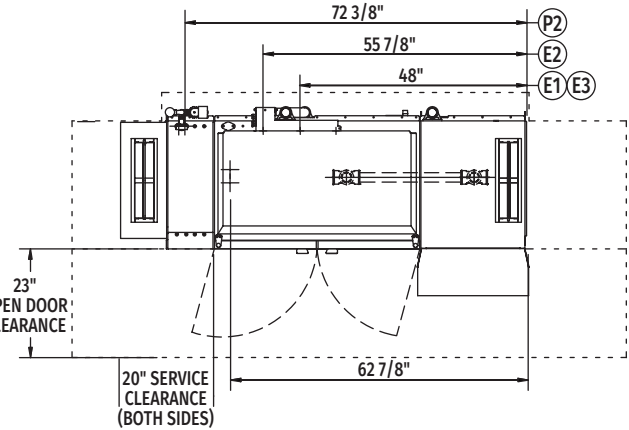


# CLCS76eN-BAS ELECTRIC

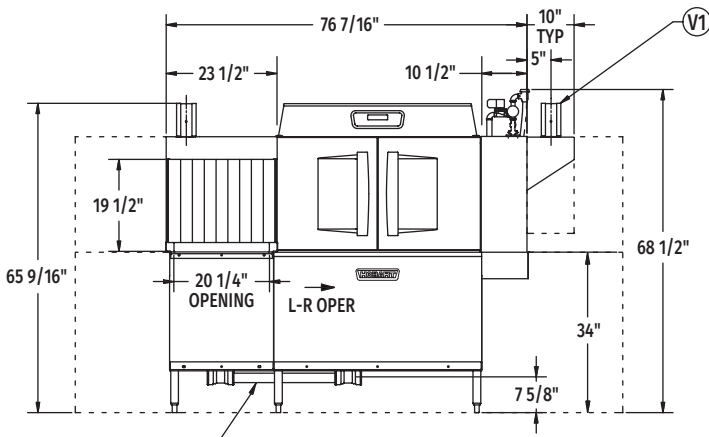
## High Temperature Corner Scrapper Rack Conveyor Dishwashing Machine



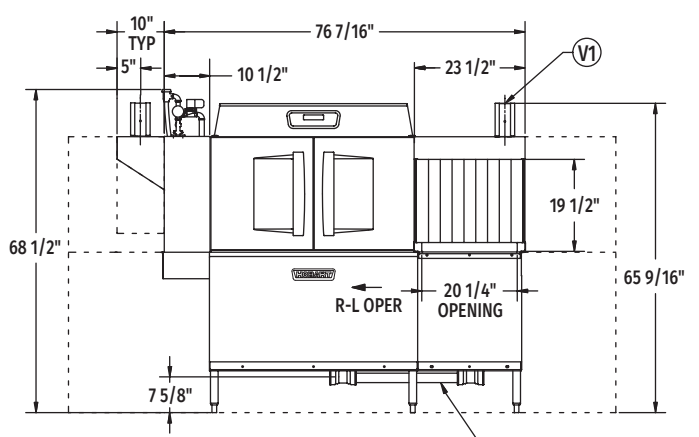
Top View Left to Right



Top View Right to Left

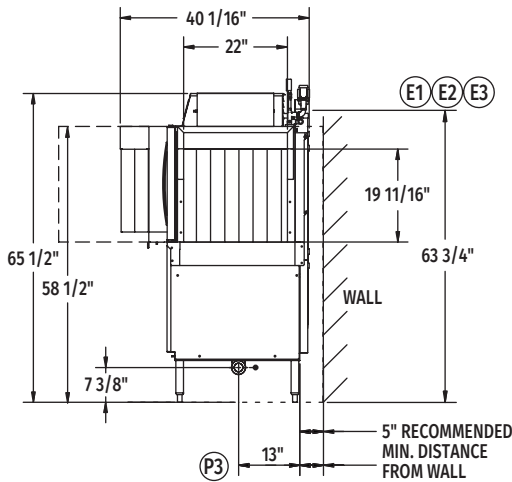


Front View Left to Right

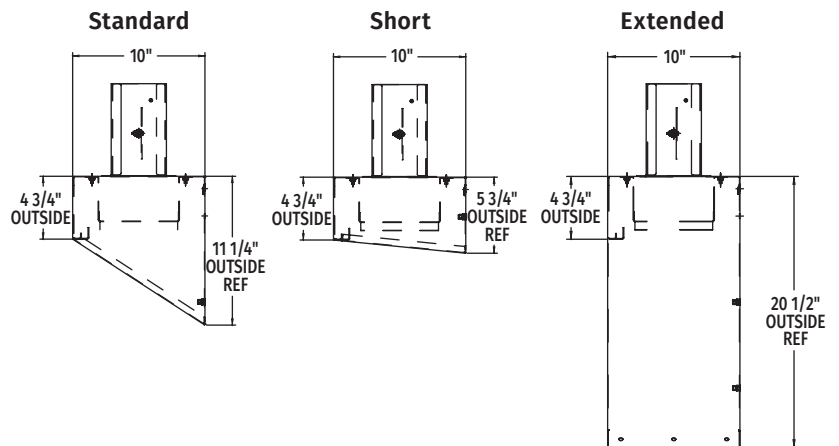


Front View Right to Left

### VENT HOOD OPTIONS (Adjustable, vent stack can be adjusted 1" to either side)



Side View



Reference page 4  
for installation drawings

MODEL:  
CLCS76eN BASE  
L-R OPERATION  
D-974815  
REV B

MODEL:  
CLCS76eN BASE  
R-L OPERATION  
D-974814  
REV B



# CLCS76eN-BAS ELECTRIC

## High Temperature Corner Scrapper Rack Conveyor Dishwashing Machine

### LEGEND

Electrical Connections	
Required when machine equipped with <b>SINGLE POINT ELECTRICAL CONNECTION</b>	
<b>E1</b>	Tank heat, motors, controls AND 30kW booster heater – multiple knockouts provided, 63-3/4" AFF.
Required when machine equipped with <b>DUAL POINT ELECTRICAL CONNECTION</b>	
<b>E2</b>	Tank heat, motors and controls – multiple knockouts provided, 63-3/4" AFF.
<b>E3</b>	Internal 30kW booster heater – multiple knockouts provided, 63-3/4" AFF.
Multiple knockouts provided for 2", 1" and 1/2" trade size conduits.	
Plumbing Connections	
<b>P1</b>	Drain. May be drained to either side of valve, plug opposite side 2" FPT. Recommend a floor drain minimum of 12" from machine for access and maintenance. 7-3/8" AFF.
<b>P2</b>	Hot water. 1/2" FPT connection. 1/2", 11-3/16" AFF. See plumbing notes for required temperatures.
<b>P3</b>	Optional cold water connection for drain water tempering 1/2" FPT, cold water temperature 80°F, maximum 7-3/8" AFF.
Vent Connections	
<b>V1</b>	Optional vent hoods, 4" x 16" vent stack with damper.

### SPECIFICATIONS

#### Capacities

Racks per Hour (NSF rated) . . . . .	245
Wash Tank (U.S. gallons) . . . . .	23
Power Scrapper (U.S. gallons) . . . . .	23
Conveyor Speed (feet per minute) . . . . .	6.8

#### Motor Horsepower

Drive . . . . .	1/6
Wash . . . . .	2
Power Scrapper . . . . .	2

#### Water Consumption

U.S. Gallons per Hour (maximum use at 20 PSI) . . . . .	138
U.S. Gallons per Rack . . . . .	0.56
Peak Drain Flow (U.S. gallons per minute) . . . . .	38

#### Heating

Tank Heat, Electric (kW) . . . . .	15
Optional Electric Booster (built-in) (kW for 40°F rise) . . . . .	15
Optional Electric Booster (built-in) (kW for 70°F rise) . . . . .	30

#### Venting

Load End (minimum CFM) . . . . .	200
Unload End (minimum CFM) . . . . .	400

**Shipping Weight (approximate)** . . . . . 890 lbs.

**Crated Dimensions** . . . . . 86"L x 38"W x 78"H

<b>E1</b>	Single Point Electrical Connection with internal 30 kW Booster Heater		
Voltage	(E1) Tank Heat, Motors, Controls 30kW Booster Heater		Single Point Service Connection
	Rated Amps	Minimum Supply Circuit Ampacity / Maximum Protective Device	
208/60/3	144.5	175	Field Installed <b>SGLPT-KIT4-CLE</b> required, order separately
240/60/3	138.2	150	Field Installed <b>SGLPT-KIT2-CLE</b> required, order separately
480/60/3	70.7	90	Ships Standard, Factory Installed

<b>E2</b>	Dual Point Electrical Connection with Internal 30 kW Booster Heater				
<b>E3</b>	(For machines without internal booster heater, refer to E2, Tank Heat, Motors & Controls connection only)				
Voltage	(E2) Tank Heat, Motors, Controls		(E3) 30kW Booster Heater		Dual Point Service Connection
	Rated Amps	Minimum Supply Circuit Ampacity / Maximum Protective Device	Rated Amps	Minimum Supply Circuit Ampacity / Maximum Protective Device	
208/60/3	60.6	80	83.9	90	Dual Point Ships Standard
240/60/3	58.0	80	80.2	90	Dual Point Ships Standard
480/60/3	30.6	40	40.1	50	Field Convertible



# CLCS76eN-BAS ELECTRIC

## High Temperature Corner Scrapper Rack Conveyor Dishwashing Machine

**WARNING:** Plumbing and electrical connections should be made by qualified personnel who will observe all the applicable plumbing, sanitary, safety codes and National Electrical Code.

**Plumbing Notes:** Minimum incoming water temperatures: 110°F for 30kW internal booster, 140°F for 15kW field converted internal booster, 180°F without internal booster. Building flowing water pressure to dish machine is 20 PSI, (+/- 5 PSI). For non-booster machines, a PRV with internal expansion bypass is required. When ordered as an accessory, ½" brass regulator must be installed before the booster. Water temperature to the regulator must not exceed 140°F.

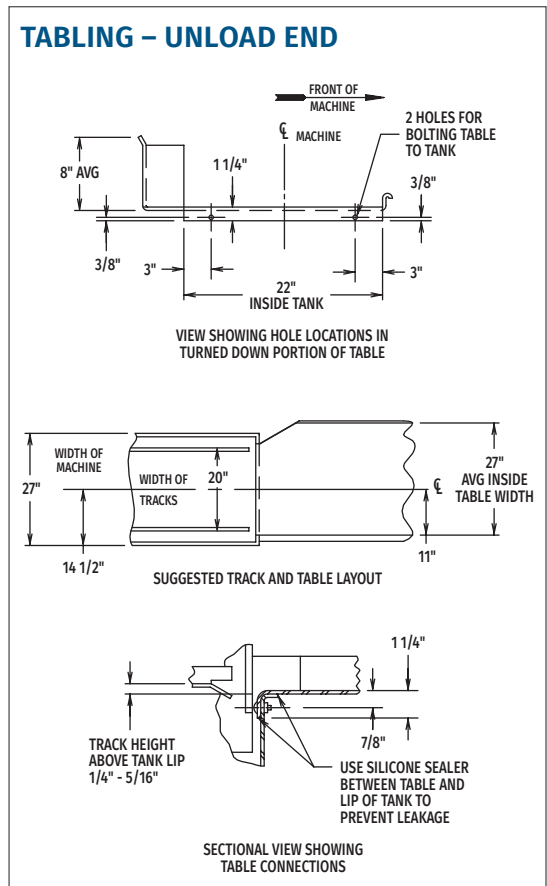
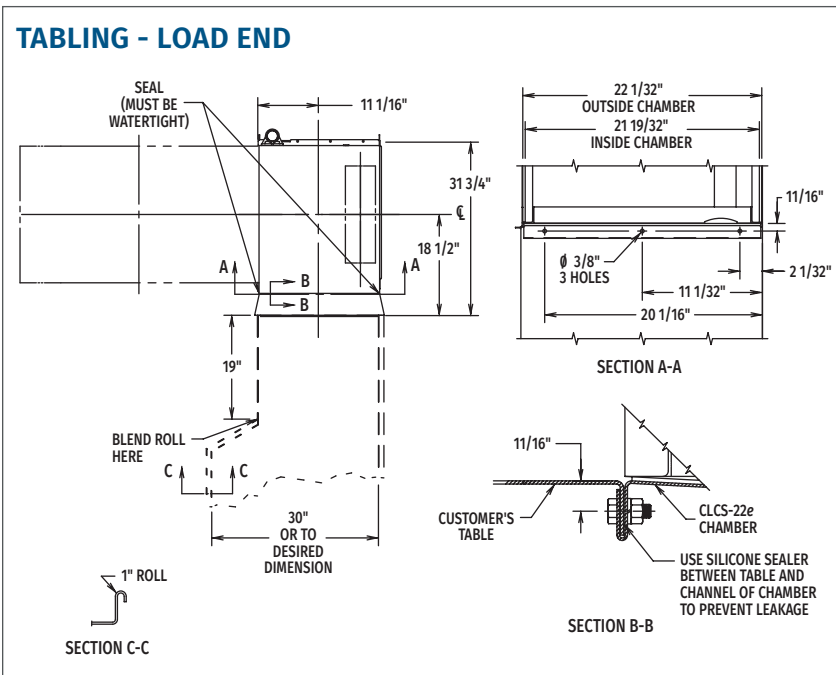
Recommended water hardness to be 3 grains or less for best results.

**Electrical Note:** Dishmachine not provided with internal GFCI protection.

CLCS76eN-BAS Electric Heat Dissipation		
Booster	BTU/HR.	
	Latent	Sensible
Without Booster	15,800	6,800
15kW Booster	29,300	12,600
30kW Booster	42,900	18,400

**NOTE:** 30kW Booster Heater field convertible to 15kW when 140°F incoming water provided. (Conversion instructions located in machine control box. Contact factory for 15kW booster amperage ratings.)

**NOTE:** Additional CLeN Voltages and Amperages are available, see document F40972.



As continued product improvement is a policy of Hobart, specifications are subject to change without notice.