



Project _____

Item # _____

Quantity _____



Flav-R 2-Go® Locker System - Built-In

Models: F2GB-22-A, -23-A, -3-A, -32-A, -33-A, 42-A, -43-A, -52-A
F2GB-22-C, -23-C, -3-C, -32-C, -33-C, 42-C, -43-C, -52-C

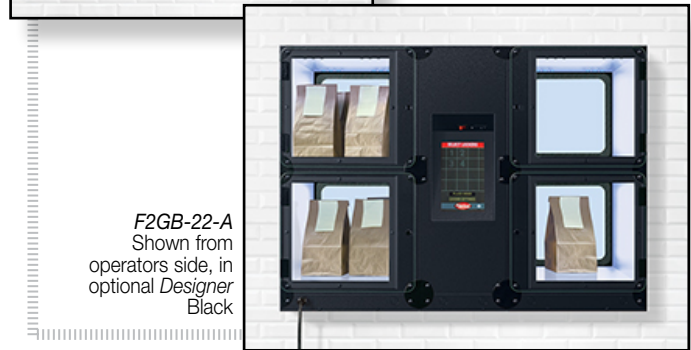
The Hatco Flav-R 2-Go® Locker System - Built-In, designed specifically for your pick-up and third-party delivery needs, is capable of holding multiple orders of hot or ambient food with quick and secure access. By reducing congestion and allowing employees to focus on other functions, customers or delivery people can arrive, access their specific locker, and leave without waiting in line or disturbing the flow of other business.

Standard features

- Floor mount and countertop models also available, see alternate spec sheets
- Each locker unit has a large 10" (254 mm) touchscreen on the operator side and on the customer side. The operator puts in the name and code. The customer receives the code, enters it on the customer side, and the appropriate door unlocks and LED lights flash
- F2GB-3, -32, -33, and -52 have customer facing controls on the left side of the unit. Operator controls will be on the right-hand side. Reverse control locations are available as an option.
- F2GB-22, -23, -42, and -43 have customer facing controls in the center of the unit. Operator controls will be the same
- Available in two locker depth sizes; A models are 12" deep, while C models are 20.5" deep
- Individual lockers can have the heat turned off for ambient storage
- Each locker has a timer that will hold prepared and packaged food for up to 45 minutes
- Lockers come preset to 150°F (66°C) with a high temperature range up to 180°F (82°C)
- Customer side stays locked. When the access code is used, the door unlocks and LED lights flash in the appropriate locker
- Internal lockers come standard in Gloss Smooth White with LED indicator lights that can be programmed to six different colors: blue (standard), red, green, yellow, magenta or white (all lockers will be one color)
- Available in *Designer* colors
- Comes ready to mount with wall bracket (mounting hardware not included)



F2GB-22-A
Shown from customer side, in standard *Designer* Warm Red



F2GB-22-A
Shown from operators side, in optional *Designer* Black

Options (available at time of purchase only)

Designer Colors

- Non-standard colors are non-returnable – Warm Red standard –
- Black Gray Granite White Granite
- Navy Blue Hunter Green Antique Copper

Right Side Control Panel – on customer side (in lieu of left side control panel) – operator control panel would switch to left side (in lieu of right side control panel) –

- F2GB-3 F2GB-32 F2GB-33 F2GB-52
- Cord Location, operator side, bottom right corner – in lieu of standard, operator side, bottom left corner –
- QR Code Reader

NOTE: This unit is intended for stationary indoor, commercial use only—NOT for mobile applications.

IFS anti-microbial coatings use naturally-occurring, environmentally sustainable, silver ions to help inhibit the growth of microbes on the powder coated surface. See www.hatcocorp.com/antimicrobial-paint for more information.

For operation, location and safety information, please refer to the Installation and Operating Manual.



HATCO CORPORATION | P.O. Box 340500 Milwaukee, WI 53234-0500 U.S.A. | (800) 558-0607 | (414) 671-6350



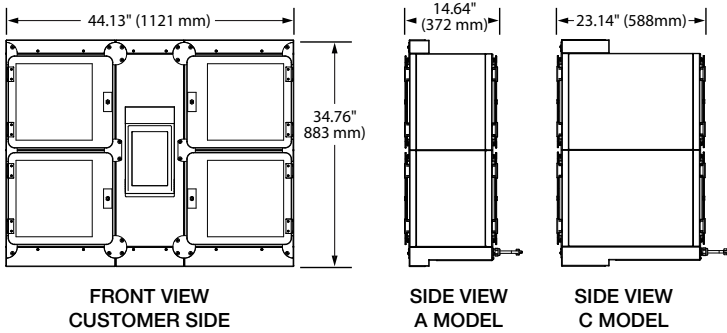
www.hatcocorp.com | support@hatcocorp.com | [Find a Hatco Rep](#) | [Image Library](#) | [Document Library](#) | [Patents](#) | [Chat](#)



Flav-R 2-Go® Locker System - Built-In

Models: F2GB-22-A, -23-A, -3-A, -32-A, -33-A, 42-A, -43-A, -52-A
 F2GB-22-C, -23-C, -3-C, -32-C, -33-C, 42-C, -43-C, -52-C

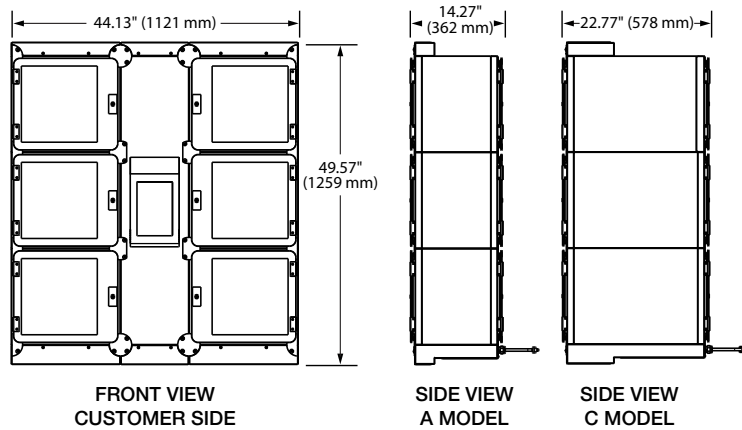
F2GB-22



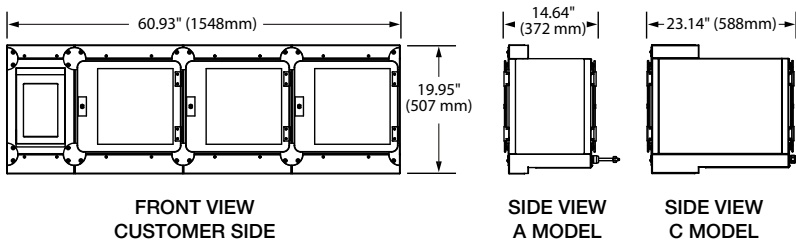
Cut-Out Dimensions

Model	Width - (Min to Max)	Height - (Min to Max)
F2GB-22	44.38" to 44.88" (1127 to 1140 mm)	31.98" to 32.48" (812 to 825 mm)
F2GB-23	44.38" to 44.88" (1127 to 1140 mm)	46.79" to 47.29" (1188 to 1201 mm)
F2GB-3	61.18" to 61.68" (1554 to 1567 mm)	17.17" to 17.67" (436 to 449 mm)
F2GB-32	61.18" to 61.68" (1554 to 1567 mm)	31.98" to 32.48" (812 to 825 mm)
F2GB-33	61.18" to 61.68" (1554 to 1567 mm)	46.79" to 47.29" (1188 to 1201 mm)
F2GB-42	78" to 78.5" (1981 to 1994 mm)	31.98" to 32.48" (812 to 825 mm)
F2GB-43	78 to 78.50" (1981 to 1994 mm)	46.79" to 47.29" (1188 to 1201 mm)
F2GB-52	94.8" to 95.3" (2408 to 2421 mm)	31.98" to 32.48" (812 to 825 mm)

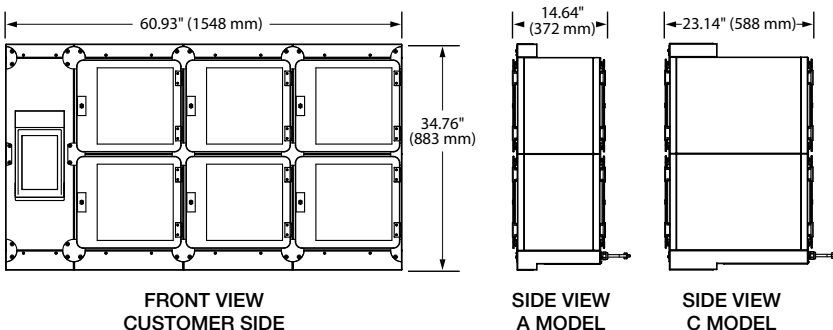
F2GB-23



F2GB-3



F2GB-32



HATCO CORPORATION | P.O. Box 340500 Milwaukee, WI 53234-0500 U.S.A. | (800) 558-0607 | (414) 671-6350



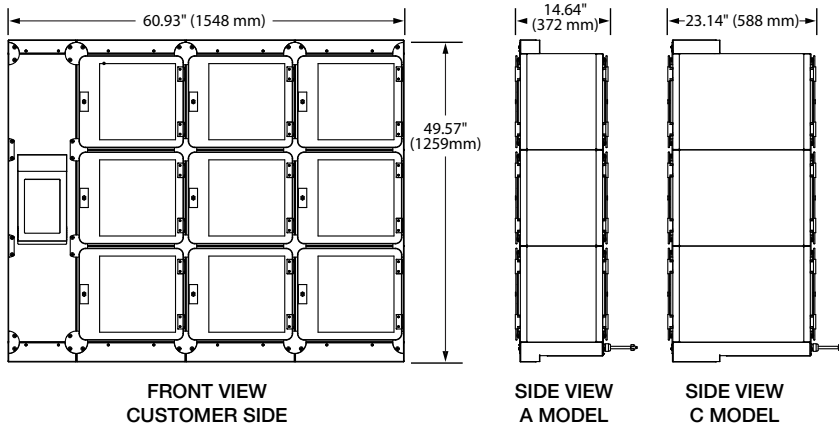
www.hatcocorp.com | support@hatcocorp.com | [Find a Hatco Rep](#) | [Image Library](#) | [Document Library](#) | [Patents](#) | [Chat](#)



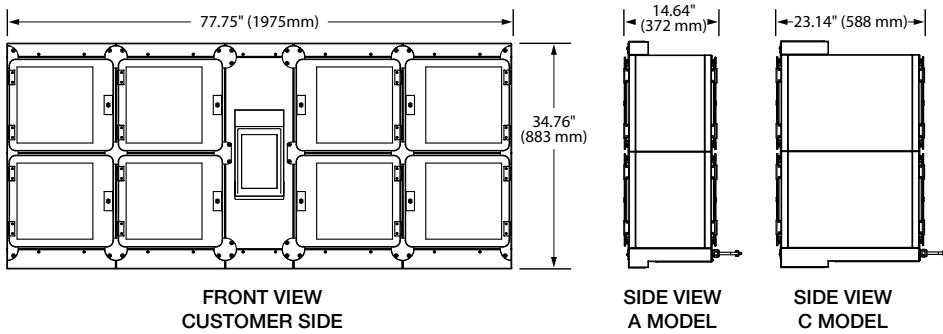
Flav-R 2-Go® Locker System - Built-In

Models: F2GB-22-A, -23-A, -3-A, -32-A, -33-A, 42-A, -43-A, -52-A
F2GB-22-C, -23-C, -3-C, -32-C, -33-C, 42-C, -43-C, -52-C

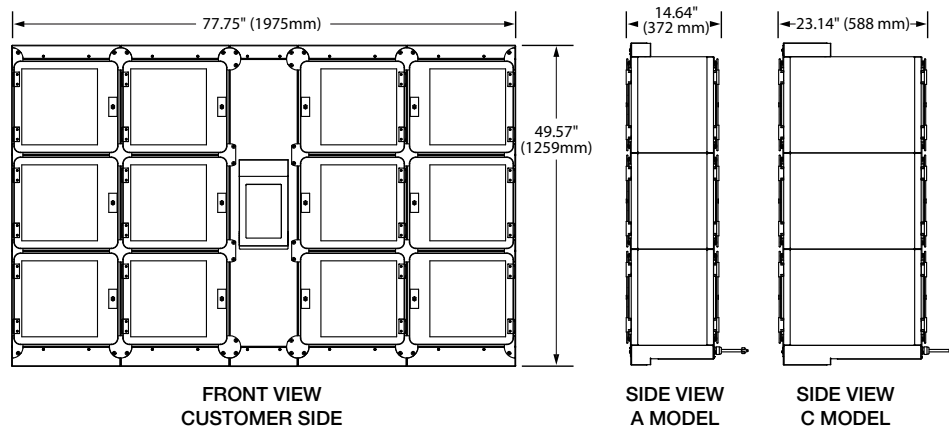
F2GB-33



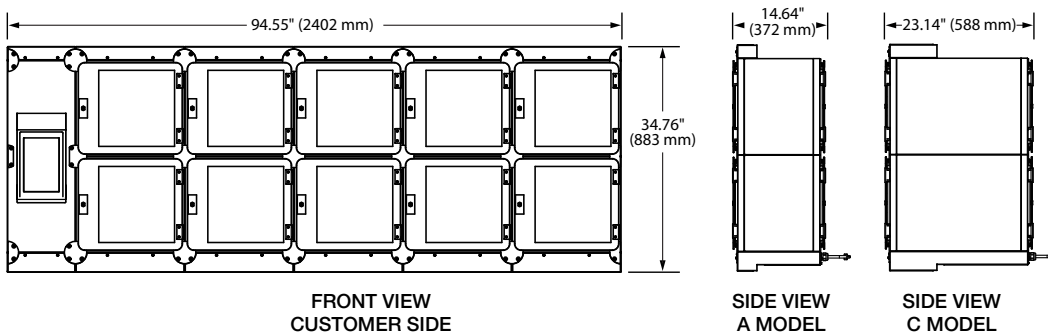
F2GB-42



F2GB-43



F2GB-52



HATCO CORPORATION | P.O. Box 340500 Milwaukee, WI 53234-0500 U.S.A. | (800) 558-0607 | (414) 671-6350



www.hatcocorp.com | support@hatcocorp.com | [Find a Hatco Rep](#) | [Image Library](#) | [Document Library](#) | [Patents](#) | [Chat](#)



Flav-R 2-Go® Locker System - Built-In

Models: F2GB-22-A, -23-A, -3-A, -32-A, -33-A, 42-A, -43-A, -52-A
F2GB-22-C, -23-C, -3-C, -32-C, -33-C, 42-C, -43-C, -52-C

SPECIFICATIONS

Flav-R 2-Go® Locker Systems - Built-In

Model	Model Dimensions (W x D x H)	Number of Lockers	Internal Locker Dimensions	Volts	Watts	Amps	Ship Weight	Plug
F2GB-22-A	44.13" x 14.64" x 34.76" (1121 x 372 x 883 mm)	4 lockers	12" x 12" x 12" (305 x 305 x 305 mm)	120	423	3.8	354 lbs.	NEMA 5-15P
F2GB-22-C	44.13" x 23.14" x 34.76" (1121 x 588 x 883 mm)	4 lockers	12" x 20.5" x 12" (305 x 521 x 305 mm)	120	551	4.8	360 lbs.	NEMA 5-15P
F2GB-23-A	44.13" x 14.27" x 49.57" (1121 x 362 x 1259 mm)	6 lockers	12" x 12" x 12" (305 x 305 x 305 mm)	120	627	5.5	428 lbs.	NEMA 5-15P
F2GB-23-C	44.13" x 22.77" x 49.57" (1121 x 578 x 1259 mm)	6 lockers	12" x 20.5" x 12" (305 x 521 x 305 mm)	120	819	7.1	537 lbs.	NEMA 5-15P
F2GB-3-A	60.93" x 14.64" x 19.95" (1548 x 372 x 507 mm)	3 lockers	12" x 12" x 12" (305 x 305 x 305 mm)	120	321	2.9	283 lbs.	NEMA 5-15P
F2GB-3-C	60.93" x 23.14" x 19.95" (1548 x 588 x 507 mm)	3 lockers	12" x 20.5" x 12" (305 x 521 x 305 mm)	120	417	3.7	353 lbs.	NEMA 5-15P
F2GB-32-A	60.93" x 14.64" x 34.76" (1548 x 372 x 883 mm)	6 lockers	12" x 12" x 12" (305 x 305 x 305 mm)	120	627	5.5	432 lbs.	NEMA 5-15P
F2GB-32-C	60.93" x 23.14" x 34.76" (1548 x 588 x 883 mm)	6 lockers	12" x 20.5" x 12" (305 x 521 x 305 mm)	120	819	7.1	537 lbs.	NEMA 5-15P
F2GB-33-A	60.93" x 14.64" x 49.57" (1548 x 372 x 1259 mm)	9 lockers	12" x 12" x 12" (305 x 305 x 305 mm)	120	933	8.2	180.34 lbs.	NEMA 5-15P
F2GB-33-C	60.93" x 23.14" x 49.57" (1548 x 588 x 1259 mm)	9 lockers	12" x 20.5" x 12" (305 x 521 x 305 mm)	120	1221	10.6	666 lbs.	NEMA 5-15P
F2GB-42-A	77.75" x 14.64" x 34.76" (1975 x 372 x 883 mm)	8 lockers	12" x 12" x 12" (305 x 305 x 305 mm)	120	831	7.3	536 lbs.	NEMA 5-15P
F2GB-42-C	77.75" x 23.14" x 34.76" (1975 x 588 x 883 mm)	8 lockers	12" x 20.5" x 12" (305 x 521 x 305 mm)	120	1087	9.4	647 lbs.	NEMA 5-15P
F2GB-43-A	77.75" x 14.64" x 49.57" (1975 x 372 x 1259 mm)	12 lockers	12" x 12" x 12" (305 x 305 x 305 mm)	120	1239	10.8	223.52 lb.	NEMA 5-15P
F2GB-43-C	77.75" x 23.14" x 49.57" (1975 x 588 x 1259 mm)	12 lockers	12" x 20.5" x 12" (305 x 521 x 305 mm)	120	1623	14.0	839 lbs.	NEMA 5-15P [▲]
F2GB-52-A	94.55" x 14.64" x 34.76" (2402 x 372 x 883 mm)	10 lockers	12" x 12" x 12" (305 x 305 x 305 mm)	120	1035	9.1	633 lbs.	NEMA 5-15P
F2GB-52-C	94.55" x 23.14" x 34.76" (2402 x 588 x 883 mm)	10 lockers	12" x 20.5" x 12" (305 x 521 x 305 mm)	120	1355	11.7	771 lbs.	NEMA 5-15P

▲ Canadian models use NEMA 5-20P.

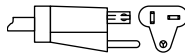
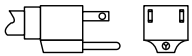
CORD LOCATION

Operator side, bottom left corner.

PLUG CONFIGURATIONS

NEMA 5-15P

NEMA 5-20P



PRODUCT SPECSv

Flav-R 2-Go® Locker System

The Locker System shall be a Flav-R 2-Go® Model ... , rated at ... volts, and ... watts, by the Hatco Corporation, Milwaukee, WI 53234 U.S.A.

The lockers shall consist of magnetically locked hinged doors, heated base, a 10"

(254 mm) touchscreen controller on both sides of the unit, a Power on/off switch, LED lighting and a 6' (1829 mm) cord with plug attached.

Warranty consists of 24/7 parts and service assistance (U.S. and Canada only).

HATCO CORPORATION | P.O. Box 340500 Milwaukee, WI 53234-0500 U.S.A. | (800) 558-0607 | (414) 671-6350



www.hatcocorp.com | support@hatcocorp.com | [Find a Hatco Rep](#) | [Image Library](#) | [Document Library](#) | [Patents](#) | [Chat](#)